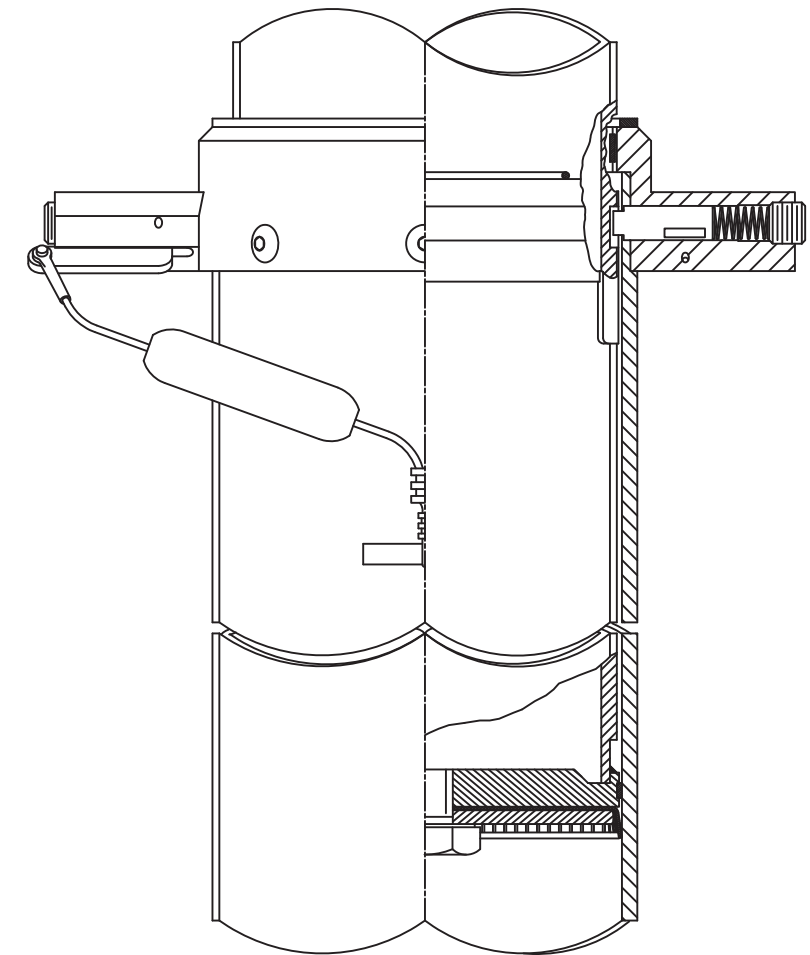
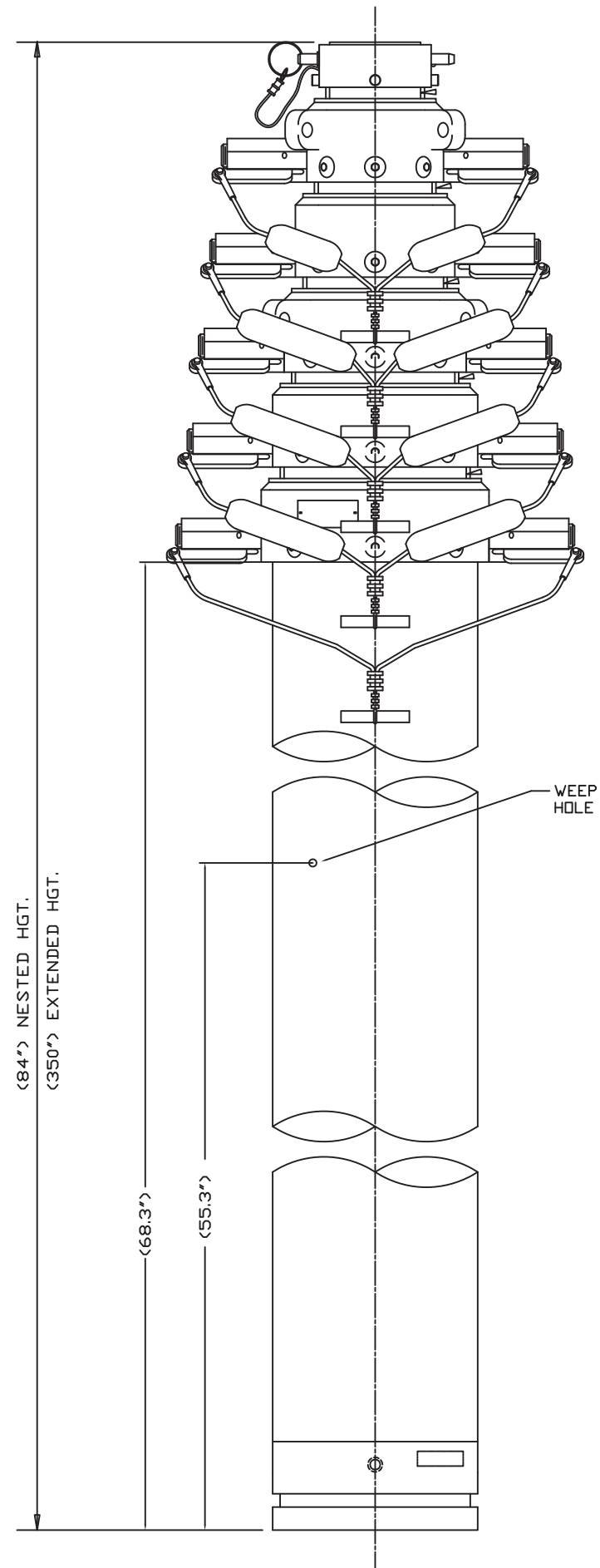


REVISIONS					
ECN	REV	DESCRIPTION	DATE	BY/APPVL	
8302	F	CHANGE NOTE #7	7/24/06	KN/	
9367	G	CHANGE P/N FOR ITEM 63	12/16/08	PCD/	
13383	H	SEE ECN	10/12/16	MS/	



MATERIAL SEE BOM ABOVE	UNLESS OTHERWISE SPECIFIED DIMENSIONS ARE IN INCHES TOLERANCES ON DECIMALS 0 = ± 00 = ± 000 = ± FRACTIONS ± BREAK ALL SHARP CORNERS 1/32" ON ALL MACHINED SURFACES	THIS DOCUMENT CONTAINS PROPRIETARY INFORMATION AND SHALL NOT BE USED OR REPRODUCED OR ITS CONTENTS DISCLOSED IN WHOLE OR IN PART, WITHOUT THE PRIOR WRITTEN CONSENT OF THE WILLY-BURT COMPANY.	AN EMPLOYEE OWNED COMPANY ORRVILLE, OHIO	
			NEXT ASS'Y DESC. PNEU MAST 7-30 HDL CE	
FINISH CLEAR ANODIZE	SIGNATURE DR. BY DMW CK. BY DMW APP. BY SB	DATE 10-15-98 10-16-98 10-18-98	SIZE DWG. No. B B-1609	SCALE 906043
			SHEET 1 OF 2	