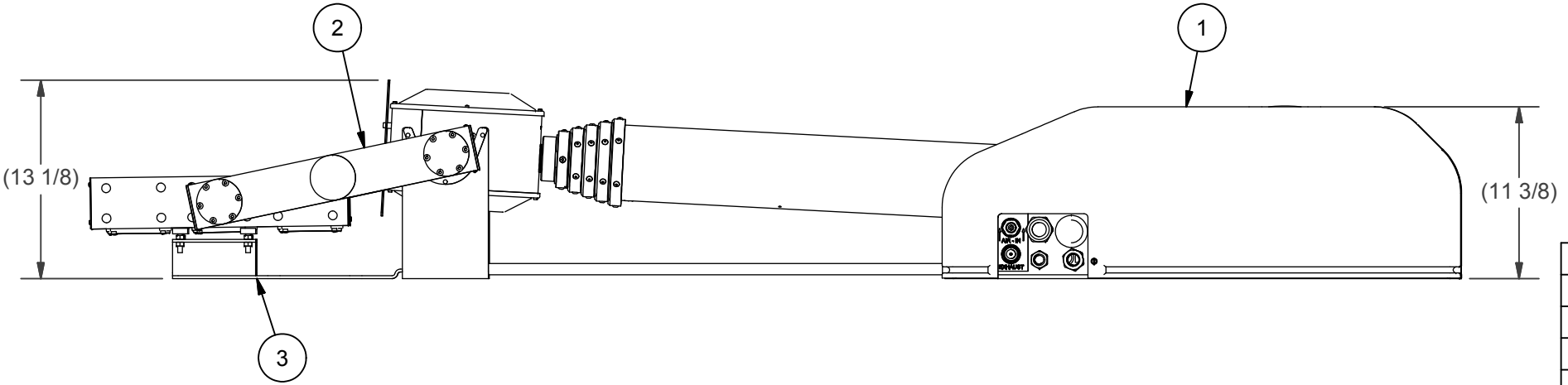
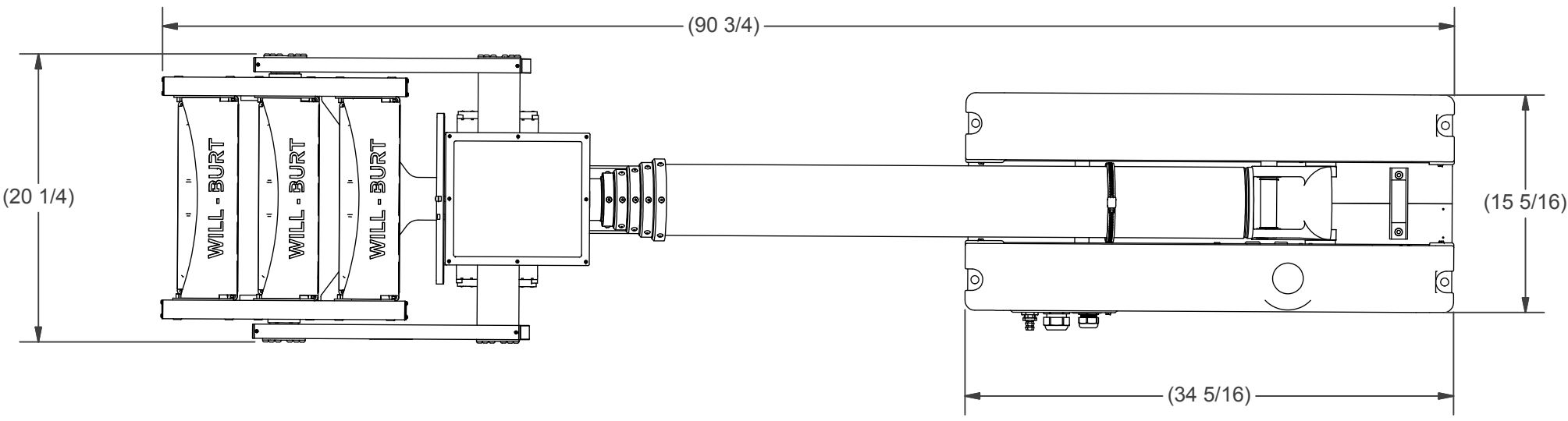


REVISION HISTORY				
ECN	REV	DESCRIPTION	DATE	APPROVED
13635	00	INITIAL RELEASE	5/15/2017	RCC



BOM			
ITEM	QTY	PART NUMBER	DESCRIPTION
1	1	4822601	BASE ASM POWERLITE PROFILER15 FT
2	1	5082201	PROFILER 450W WHN 120V FLD/FLD
3	1	5448901	PROFILER SUPPORT, NSP/3LT XL200
4	1	4706701	LABEL KIT-CLEAR (NOT SHOWN)
5	1	911184	SHIPPING CARTON (NOT SHOWN)
6	1	TP-4723701	NSP MANUAL CD (NOT SHOWN)
7	1	WD-46276	WIRING DIAGRAM

- NOTES:
- 1 APPLY RTV #739 OR EQUAL TO ALL OPEN HOLES
 - 2 SEE WIRING DIAGRAM WD-46276 FOR WIRING DETAILS
 - 3 SET LIGHT BARS HOME POSITION PARALLEL TO BASE PLATE WHEN STOWED
 - 4 APPLY LOCTITE #243 OR EQUAL TO ALL THREADS UNLESS OTHERWISE NOTED
 - 5 APPLY A COAT OF SILICONE GREASE TO RCP MOTOR BORES PRIOR TO SHAFTS BEING INSTALLED
 - 6 INSTALL GROUND WIRE ASSEMBLY TO BOARD AND RCP HOUSING

UNLESS OTHERWISE SPECIFIED DIMENSIONS ARE IN INCHES.
TOLERANCES ON DECIMALS ANGLES
0 = ± 0.030 ± 1/2°
00 = ± 0.010
000 = ± 0.005
FRACTIONAL ± 1/64"
1. ALL INSIDE EDGES TO HAVE .005" TO .035" FILLETS.
2. ALL OUTSIDE EDGES TO HAVE .005" TO .015" CHAMFER OR RADIUS.
125° ON ALL MACHINED SURFACES

PROPRIETARY AND CONFIDENTIAL
THE INFORMATION CONTAINED IN THIS DRAWING IS THE SOLE PROPERTY OF THE WILL-BURT COMPANY ANY REPRODUCTION IN PART OR WHOLE WITHOUT THE WRITTEN PERMISSION OF THE WILL-BURT COMPANY IS PROHIBITED.



TITLE
NS 4.5 450W WHL PRFLR 120V FLD/FLD WHT

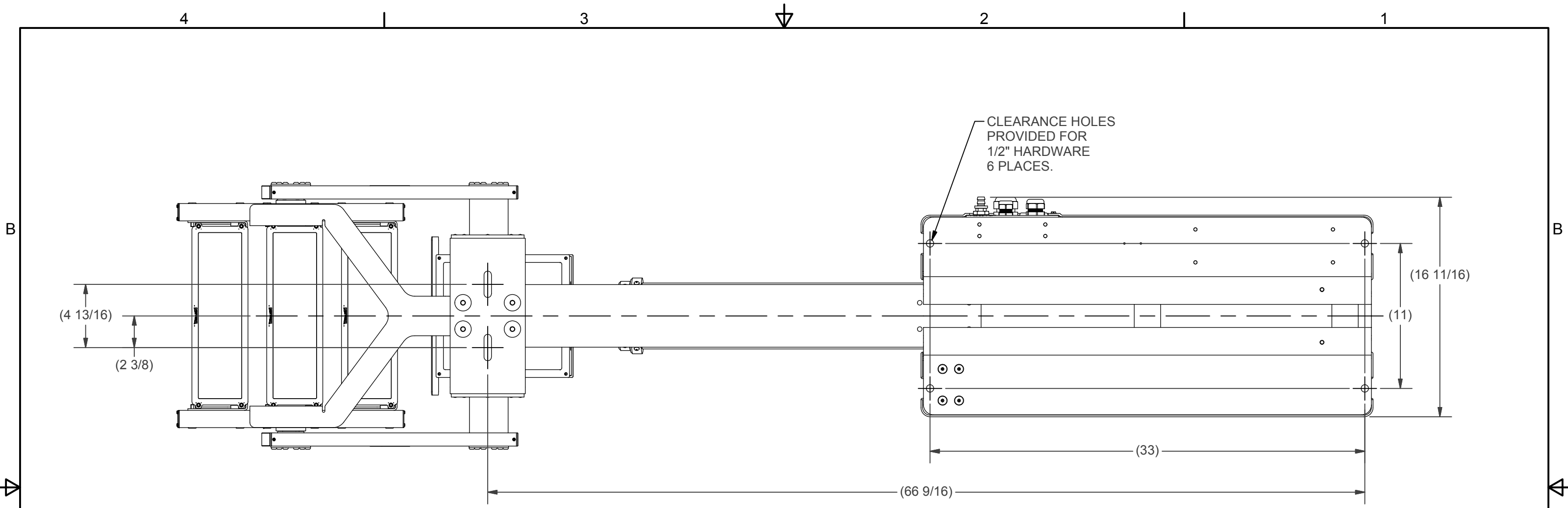
APPROX. WT:188.2 lbmass

THIRD ANGLE PROJECTION



APPROVALS	DATE
DRAWN RCC	5/15/2017
CHECKED	

SIZE	DWG NO	REV
B	721530021	00
PN: 721530021		SHEET 1 OF 2



BOTTOM VIEW
MOUNTING BOLT PATTERN

APPROX. WT:188.2 lbmass

THIRD ANGLE PROJECTION



**UNLESS OTHERWISE SPECIFIED
DIMENSIONS ARE IN INCHES.**
TOLERANCES ON DECIMALS ANGLES
0 = ± 0.030 ± 1/2°
.00 = ± 0.010
000 = ± 0.005
FRACTIONAL ± 1/64"
1. ALL INSIDE EDGES TO HAVE
.005" TO .035" FILLETS.
2. ALL OUTSIDE EDGES TO HAVE
.005" TO .015" CHAMFER OR RADIUS.
125√ ON ALL MACHINED SURFACES

PROPRIETARY AND CONFIDENTIAL
THE INFORMATION CONTAINED IN THIS
DRAWING IS THE SOLE PROPERTY OF THE
WILL-BURT COMPANY ANY
REPRODUCTION IN PART OR WHOLE
WITHOUT THE WRITTEN PERMISSION OF
THE WILL-BURT COMPANY IS PROHIBITED.

WB AN EMPLOYEE OWNED COMPANY
WILL-BURT ORRVILLE, OH

TITLE
**NS 4.5 450W WHL PRFLR
120V FLD/FLD WHT**

APPROVALS	DATE
DRAWN RCC	5/15/2017
CHECKED	

SIZE	DWG NO	REV
B	721530021	00
PN: 721530021		SHEET 2 OF 2