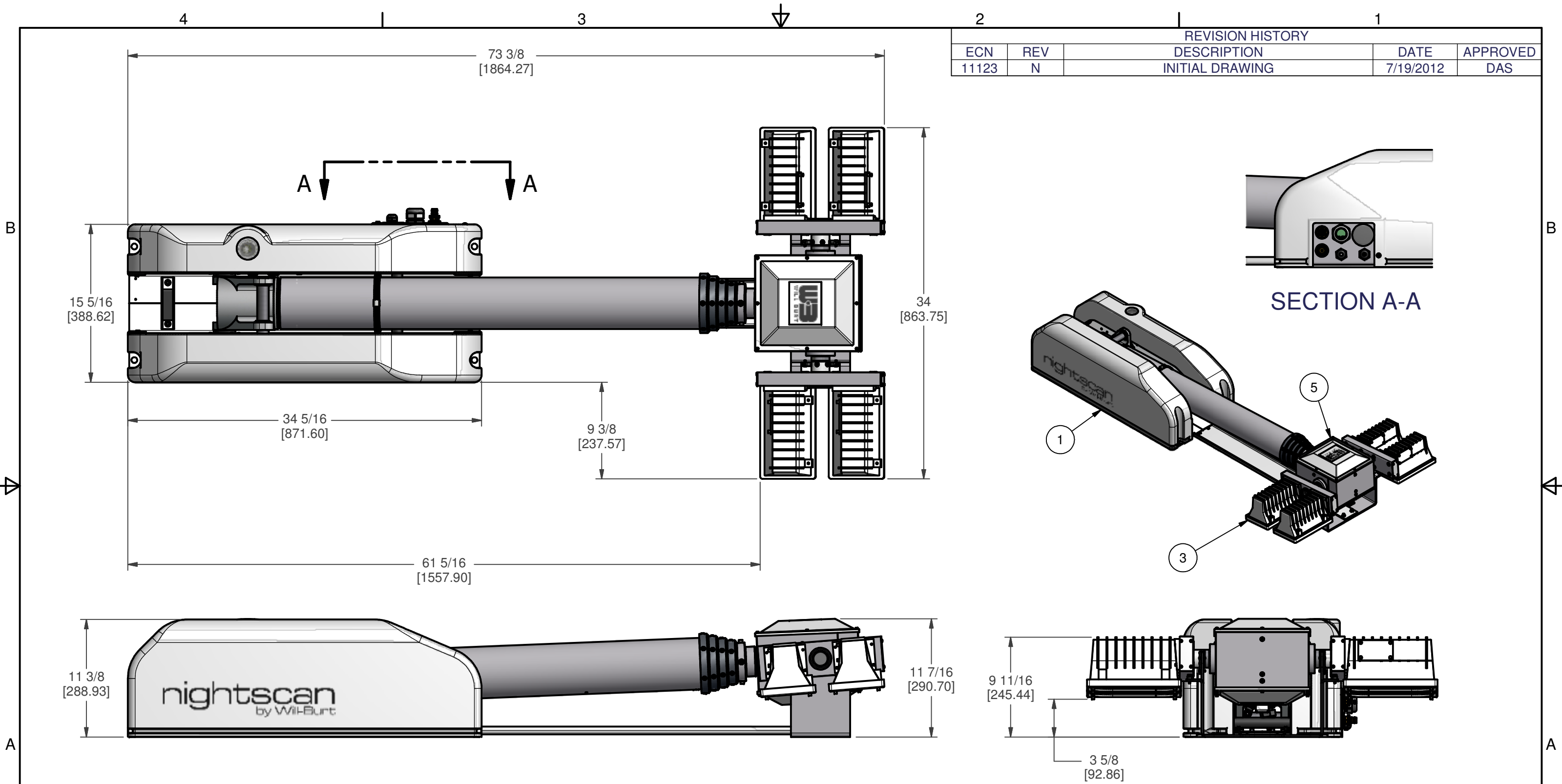


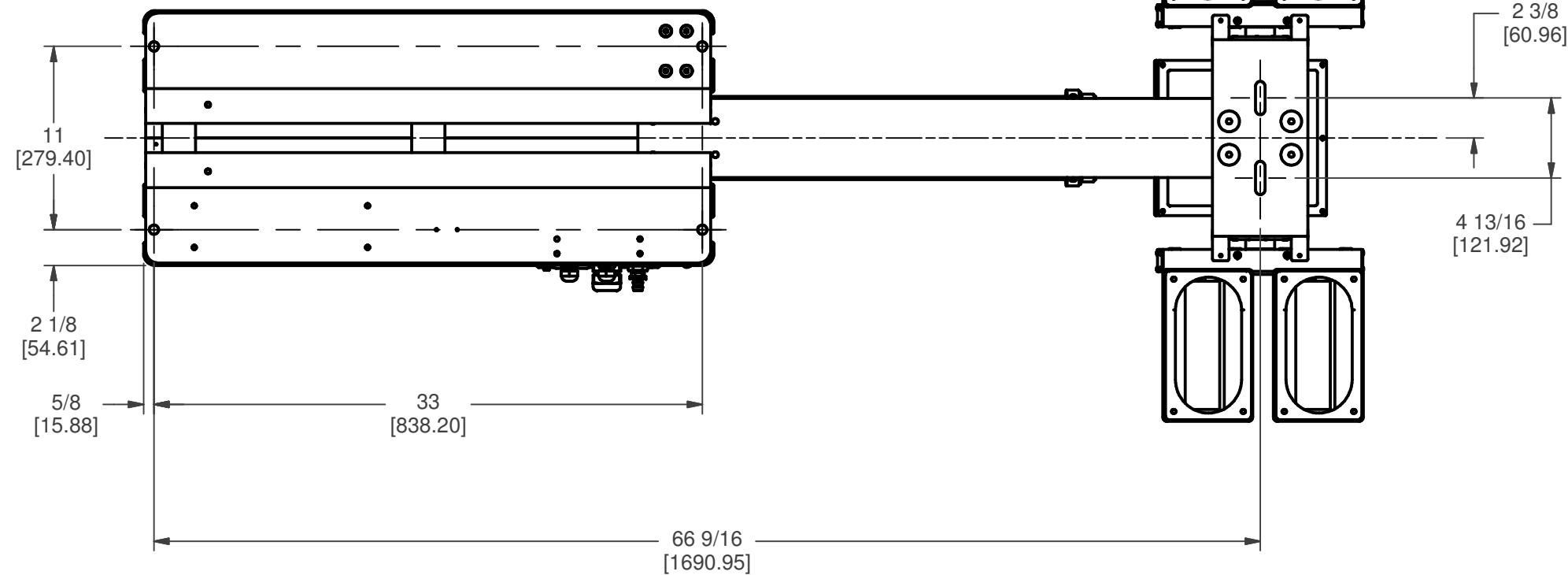
| REVISION HISTORY |     |                 |           |          |
|------------------|-----|-----------------|-----------|----------|
| ECN              | REV | DESCRIPTION     | DATE      | APPROVED |
| 11123            | N   | INITIAL DRAWING | 7/19/2012 | DAS      |



**NOTE:**  
SECONDARY DIMENSIONS - MILLIMETERS NOTED IN BRACKETS

|                         |   |   |                  |  |              |
|-------------------------|---|---|------------------|--|--------------|
| MATERIAL                | <b>UNLESS OTHERWISE SPECIFIED DIMENSIONS ARE IN INCHES.</b><br>TOLERANCES ON:<br>DIMENSIONS ±0.005<br>ANGLES ±1°<br>1. ALL ANGLES 90°<br>2. ALL INSIDE EDGES TO HAVE .005" TO .035" FILLETS.<br>3. ALL OUTSIDE EDGES TO HAVE .005" TO .015" CHAMFER OR RADIUS.<br><sup>125</sup> √ ON ALL MACHINED SURFACES | <b>PROPRIETARY AND CONFIDENTIAL</b><br>THE INFORMATION CONTAINED IN THIS DRAWING IS THE SOLE PROPERTY OF THE WILL-BURT COMPANY ANY REPRODUCTION IN PART OR WHOLE WITHOUT THE WRITTEN PERMISSION OF THE WILL-BURT COMPANY IS PROHIBITED. |                  | <b>WILL-BURT</b> AN EMPLOYEE OWNED COMPANY<br>ORRVILLE, OH |              |
| FINISH                  |   |   |                  | APPROVALS  | DATE         |
| APPROX. WT:149.8 lbmass |   | THIRD ANGLE PROJECTION  | DRAWN<br>dasmith | 7/19/2012  | B            |
|                         |   | CHECKED   |                  | PN:  | 721515010    |
|                         |   |   |                  |  | SHEET 1 OF 2 |

**BOTTOM VIEW  
MOUNTING BOLT PATTERN**



**NOTE:**

- 1 APPLY RTV #739 OR EQUAL TO ALL OPEN HOLES
- 2 SEE WIRING DIAGRAM WD-46276 FOR WIRING DETAILS
- 3 SET LIGHT BARS HOME POSITION PARALLEL TO BASE PLATE WHEN STOWED
- 4 APPLY LOCTITE #242 OR EQUAL TO ALL THREADS UNLESS OTHERWISE NOTED
- 5 APPLY A COAT OF SILICONE GREASE TO RCP MOTOR BORES PRIOR TO SHAFTS BEING INSTALLED

| BOM  |     |             |  |
|------|-----|-------------|--|
| ITEM | QTY | PART NUMBER | DESCRIPTION                            |
| 1    | 1   | 4627601     | BASE ASSEMBLY NSP                      |
| 2    | 1   | 4807801     | KIT, SHIPPING NSP (NOT SHOWN)          |
| 3    | 1   | 4590903     | MGN 4 LIGHT, 3000W (4-750W 110VAC) WHT |
| 4    | 1   | 4706701     | NSP LABEL KIT (NOT SHOWN)              |
| 5    | 1   | 4742501     | RCP ASSEMBLY NSP STD                   |

|                         |  |   |                   |   |                     |
|-------------------------|--|---|-------------------|---|---------------------|
| MATERIAL                | <b>UNLESS OTHERWISE SPECIFIED DIMENSIONS ARE IN INCHES.</b><br>TOLERANCES ON:<br>DIMENSIONS ±0.005<br>ANGLES ±1°<br>1. ALL ANGLES 90°<br>2. ALL INSIDE EDGES TO HAVE .005" TO .035" FILLETS.<br>3. ALL OUTSIDE EDGES TO HAVE .005" TO .015" CHAMFER OR RADIUS.<br>125 ON ALL MACHINED SURFACES | <b>PROPRIETARY AND CONFIDENTIAL</b><br>THE INFORMATION CONTAINED IN THIS DRAWING IS THE SOLE PROPERTY OF THE WILL-BURT COMPANY ANY REPRODUCTION IN PART OR WHOLE WITHOUT THE WRITTEN PERMISSION OF THE WILL-BURT COMPANY IS PROHIBITED. |                   | <b>WILL-BURT</b><br>AN EMPLOYEE OWNED COMPANY<br>ORRVILLE, OH |                     |
| FINISH                  |  | APPROVALS<br>DRAWN: dasmith<br>CHECKED:   | DATE<br>7/19/2012 | SIZE<br>B   | DWG NO<br>721515010 |
| APPROX. WT:149.8 lbmass | THIRD ANGLE PROJECTION   | PN: 721515010   |                   | SHEET 2 OF 2  |                     |