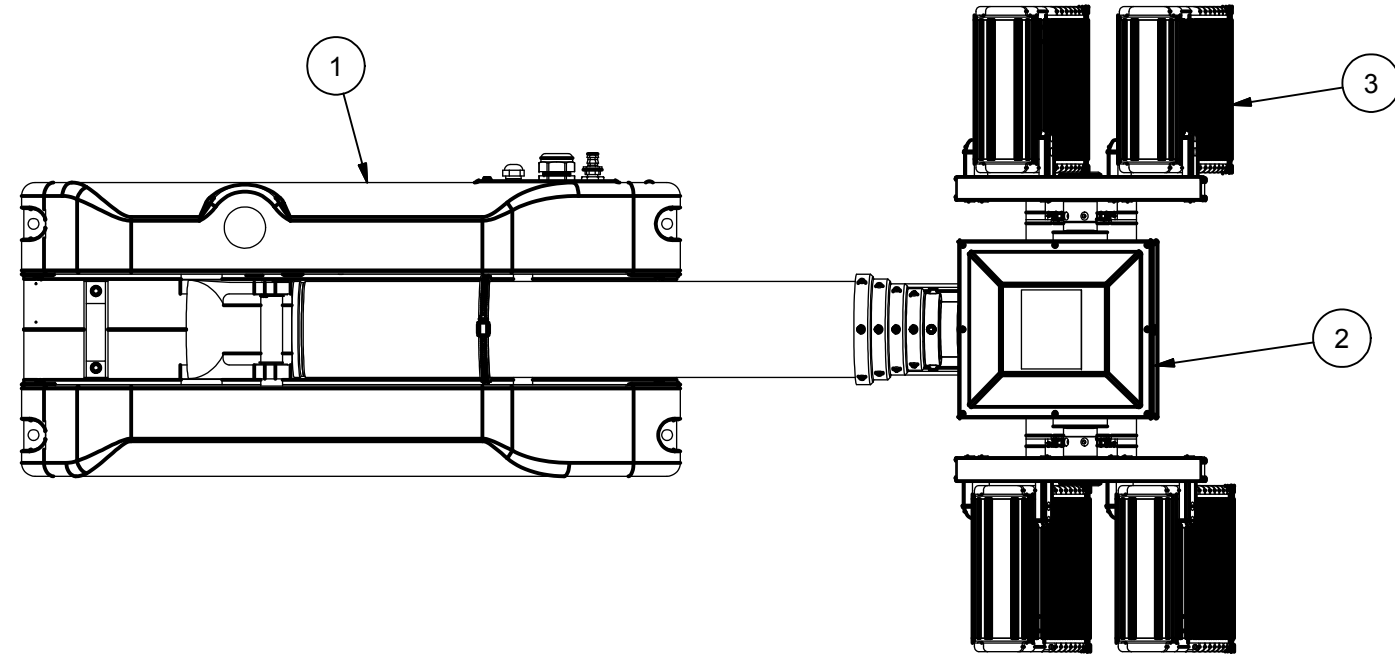


REVISION HISTORY				
ECN	REV	DESCRIPTION	DATE	BY/APPR
11059	N	RESTRUCTURED BOM	5/22/2012	RCC\



BOM			
ITEM	QTY	PART NUMBER	DESCRIPTION
1	1	4627603	BASE ASSEMBLY NSP
2	1	4742501	RCP ASSEMBLY NSP STD
3	1	4574603	OPT 4 LIGHT, 3000W (4-750W 110VAC) WHT
4	1	4706701	NSP LABEL KIT (NOT SHOWN)
5	1	TP-4723701	NSP MANUAL CD (NOT SHOWN)
6	1	900600	MAST OIL (NOT SHOWN)
7	1	911184	SHIPPING CARTON (NOT SHOWN)
8	1	914205	SHIPPING CRATE (NOT SHOWN)
9	6	3459	HD HEX LAG SCREW (NOT SHOWN)
10	6	900980	FW-3/8" (NOT SHOWN)
11	1	4446201	BARBED FITTING 1/2 HOSE ID X 1/4 NPT
12	20 FT	4431002	AIR HOSE "EXHAUST" .750 OD X .500 ID (NOT SHOWN) SHIP LOOSE

- NOTES:
- 1 APPLY RTV #739 OR EQUAL TO ALL OPEN HOLES
 - 2 SEE WIRING DIAGRAM WD-46276 FOR WIRING DETAILS
 - 3 SET LIGHT BARS HOME POSITION PARALLEL TO BASE PLATE WHEN STOWED
 - 4 APPLY LOCTITE #242 OR EQUAL TO ALL THREADS UNLESS OTHERWISE NOTED
 - 5 APPLY A COAT OF SILICONE GREASE TO RCP MOTOR BORES PRIOR TO SHAFTS BEING INSTALLED
 - 6 INSTALL GROUND WIRE ASSEMBLY TO BOARD AND RCP HOUSING

APPROX. WT:148.3 lbmass

THIRD ANGLE PROJECTION



UNLESS OTHERWISE SPECIFIED
DIMENSIONS ARE IN INCHES.
TOLERANCES ON DECIMALS ANGLES
0 = ± 0.030 ± 1/2°
00 = ± 0.010
000 = ± 0.005
FRACTIONAL ± 1/64"
1. ALL INSIDE EDGES TO HAVE .005" TO .035" FILLETS.
2. ALL OUTSIDE EDGES TO HAVE .005" TO .015" CHAMFER OR RADIUS.
125° ON ALL MACHINED SURFACES

PROPRIETARY AND CONFIDENTIAL
THE INFORMATION CONTAINED IN THIS DRAWING IS THE SOLE PROPERTY OF THE WILL-BURT COMPANY ANY REPRODUCTION IN PART OR WHOLE WITHOUT THE WRITTEN PERMISSION OF THE WILL-BURT COMPANY IS PROHIBITED.

WILL-BURT AN EMPLOYEE OWNED COMPANY
ORRVILLE, OH

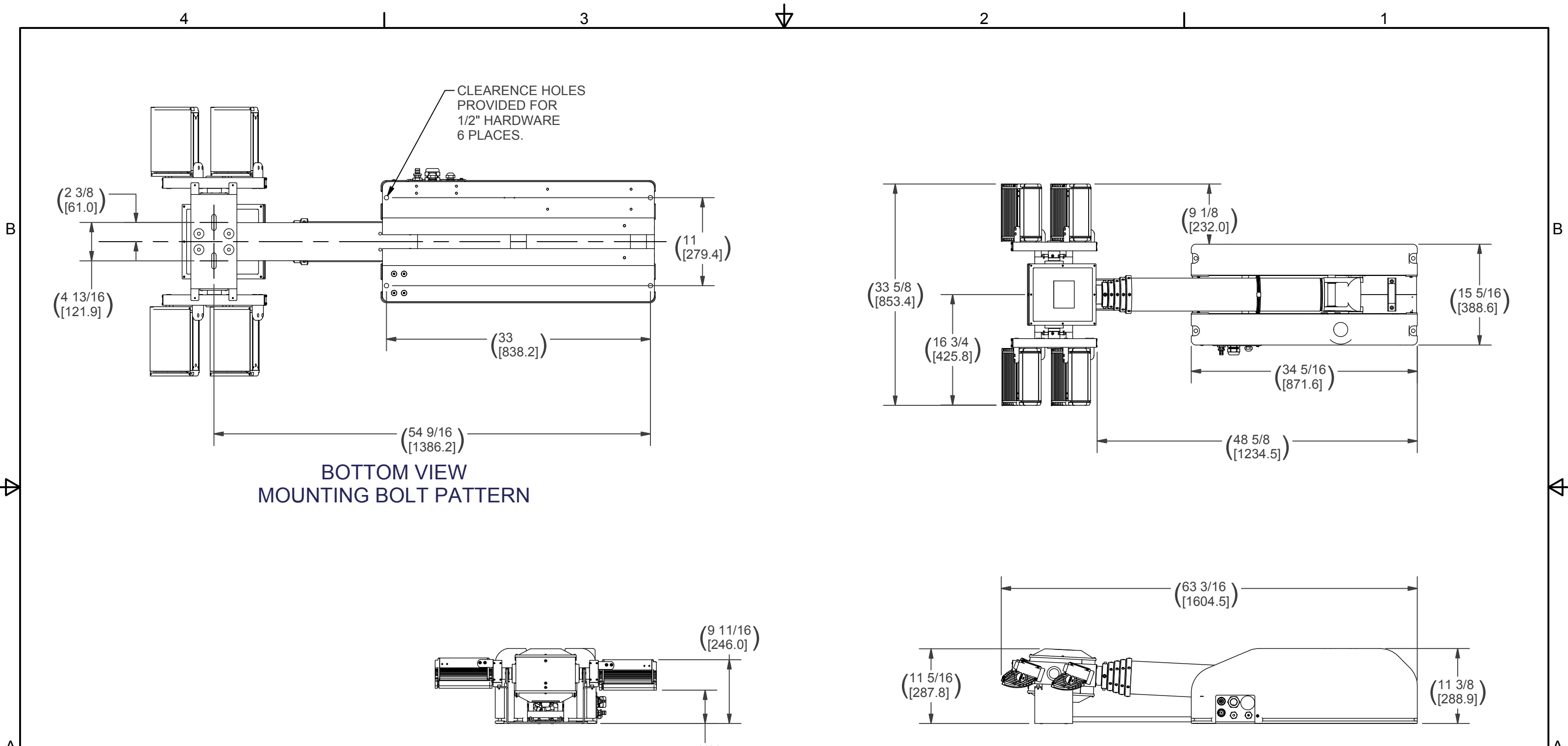
TITLE
NS 3.0-3000 OPTIMUM 110 VAC

APPROVALS DATE
DRAWN RCC 5/22/2012

SIZE DWG NO REV
B 721062010 N

CHECKED

PN: 721062010 SHEET 1 OF 2



**BOTTOM VIEW
MOUNTING BOLT PATTERN**

NOTES:
SECONDARY DIMENSIONS - MILLIMETERS NOTED IN BRACKETS

APPROX. WT:148.3 lbmass

THIRD ANGLE PROJECTION



UNLESS OTHERWISE SPECIFIED
DIMENSIONS ARE IN INCHES.
TOLERANCES ON DECIMALS ANGLES
0 = ± 0.030 ± 1/2°
00 = ± 0.010
000 = ± 0.005
FRACTIONAL ± 1/64"
1. ALL INSIDE EDGES TO HAVE .005" TO .035" FILLETS.
2. ALL OUTSIDE EDGES TO HAVE .005" TO .015" CHAMFER OR RADIUS.
125° ON ALL MACHINED SURFACES

PROPRIETARY AND CONFIDENTIAL
THE INFORMATION CONTAINED IN THIS DRAWING IS THE SOLE PROPERTY OF THE WILL-BURT COMPANY ANY REPRODUCTION IN PART OR WHOLE WITHOUT THE WRITTEN PERMISSION OF THE WILL-BURT COMPANY IS PROHIBITED.

WILL-BURT AN EMPLOYEE OWNED COMPANY
ORRVILLE, OH

TITLE
NS 3.0-3000 OPTIMUM 110 VAC

APPROVALS	DATE
DRAWN RCC	5/22/2012
CHECKED	

SIZE B	DWG NO 721062010	REV N
PN: 721062010	SHEET 2 OF 2	