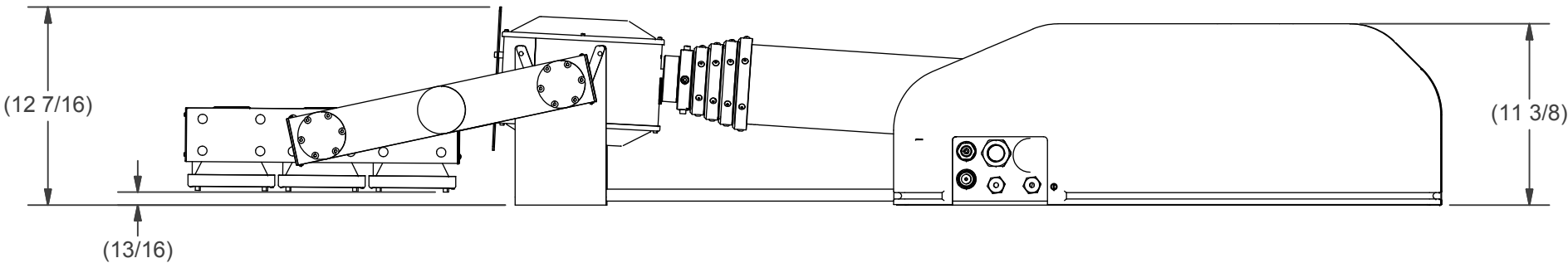
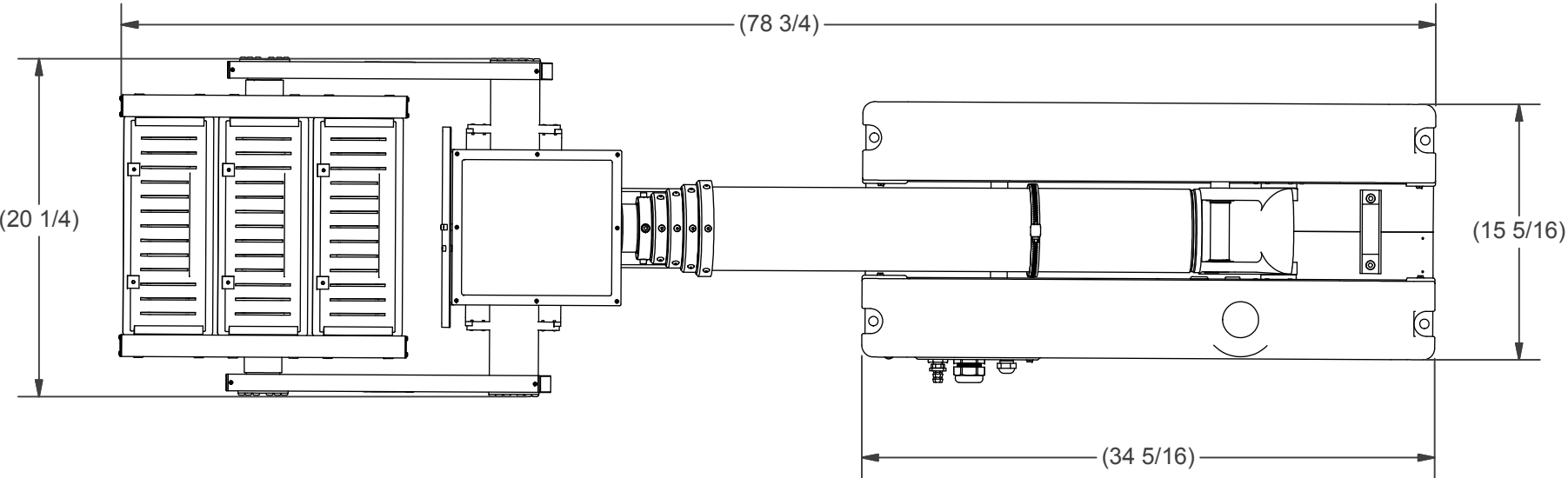


REVISION HISTORY				
ECN	REV	DESCRIPTION	DATE	APPROVED
11092	N	RESTRUCTURED BOM	6/18/2012	RCC\



BOM			
ITEM	QTY	PART NUMBER	DESCRIPTION
1	1	4823901	PROFILER 2700W MAGNAFIRE
2	1	4822603	BASE ASM POWERLITE PROFILER10 FT CLR
3	1	4706703	NSP LABEL KIT CE (NOT SHOWN)
4	1	911184	SHIPPING CARTON (NOT SHOWN)
5	1	TP-4723701	NSP MANUAL CD (NOT SHOWN)
6	1	WD-46276	WIRING DIAGRAM

UNLESS OTHERWISE SPECIFIED DIMENSIONS ARE IN INCHES.
TOLERANCES ON DECIMALS ANGLES
0 = ± 0.030 ± 1/2°
00 = ± 0.010
000 = ± 0.005
FRACTIONAL ± 1/64"
1. ALL INSIDE EDGES TO HAVE
.005" TO .035" FILLETS.
2. ALL OUTSIDE EDGES TO HAVE
.005" TO .015" CHAMFER OR RADIUS.
125√ ON ALL MACHINED SURFACES

PROPRIETARY AND CONFIDENTIAL
THE INFORMATION CONTAINED IN THIS DRAWING IS THE SOLE PROPERTY OF THE WILL-BURT COMPANY ANY REPRODUCTION IN PART OR WHOLE WITHOUT THE WRITTEN PERMISSION OF THE WILL-BURT COMPANY IS PROHIBITED.



TITLE
NS 3.0-2700 MAGNAFIRE PROFILER 220V

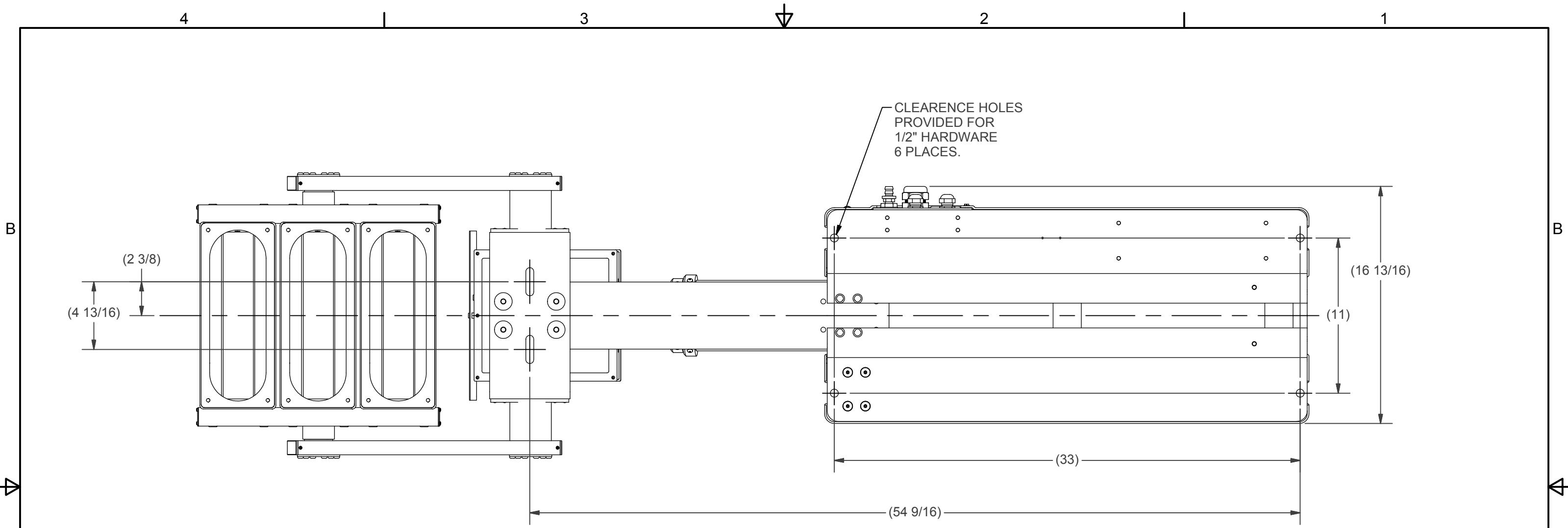
APPROX. WT:149.5 lbmass

THIRD ANGLE PROJECTION



APPROVALS	DATE
DRAWN RCC	6/18/2012
CHECKED	

SIZE	DWG NO	REV
B	721020010	N
PN:	721020010	SHEET 1 OF 2



BOTTOM VIEW
MOUNTING BOLT PATTERN

APPROX. WT:149.5 lbmass

THIRD ANGLE PROJECTION



**UNLESS OTHERWISE SPECIFIED
DIMENSIONS ARE IN INCHES.**
 TOLERANCES ON DECIMALS ANGLES
 0 = ± 0.030 ± 1/2°
 00 = ± 0.010
 000 = ± 0.005
 FRACTIONAL ± 1/64"
 1. ALL INSIDE EDGES TO HAVE
 .005" TO .035" FILLETS.
 2. ALL OUTSIDE EDGES TO HAVE
 .005" TO .015" CHAMFER OR RADIUS.
 125√ ON ALL MACHINED SURFACES

PROPRIETARY AND CONFIDENTIAL
 THE INFORMATION CONTAINED IN THIS
 DRAWING IS THE SOLE PROPERTY OF THE
 WILL-BURT COMPANY ANY
 REPRODUCTION IN PART OR WHOLE
 WITHOUT THE WRITTEN PERMISSION OF
 THE WILL-BURT COMPANY IS PROHIBITED.

WB AN EMPLOYEE OWNED COMPANY
 WILL-BURT ORRVILLE, OH

TITLE
**NS 3.0-2700 MAGNAFIRE
 PROFILER 220V**

APPROVALS	DATE
DRAWN RCC	6/18/2012
CHECKED	

SIZE	DWG NO	REV
B	721020010	N
PN: 721020010		SHEET 2 OF 2