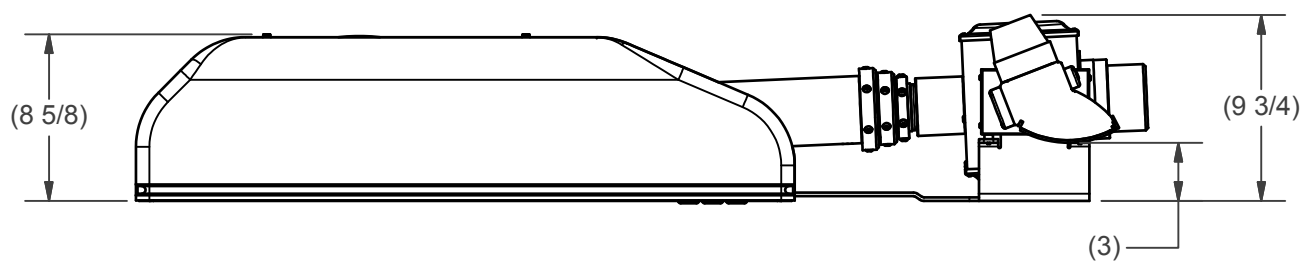
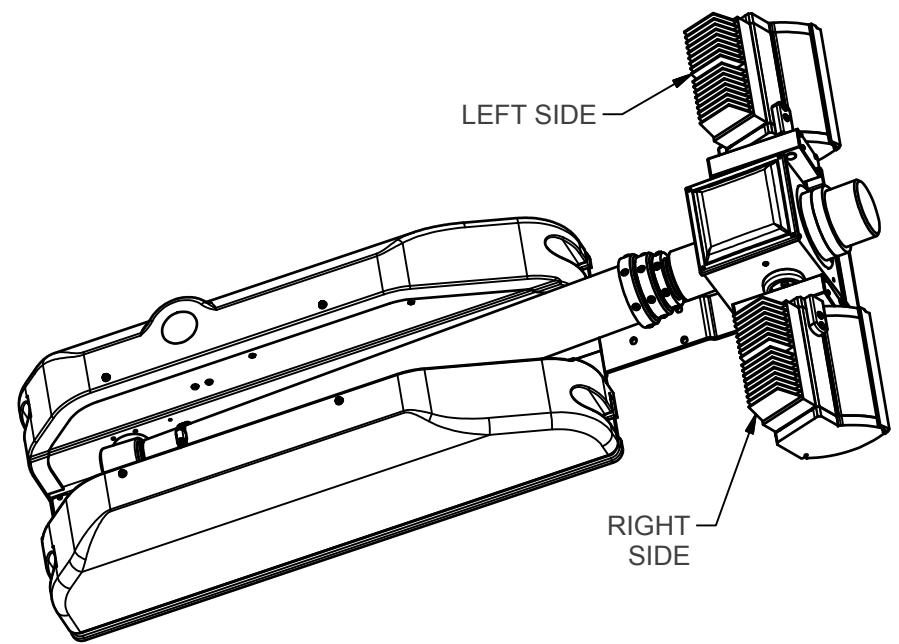
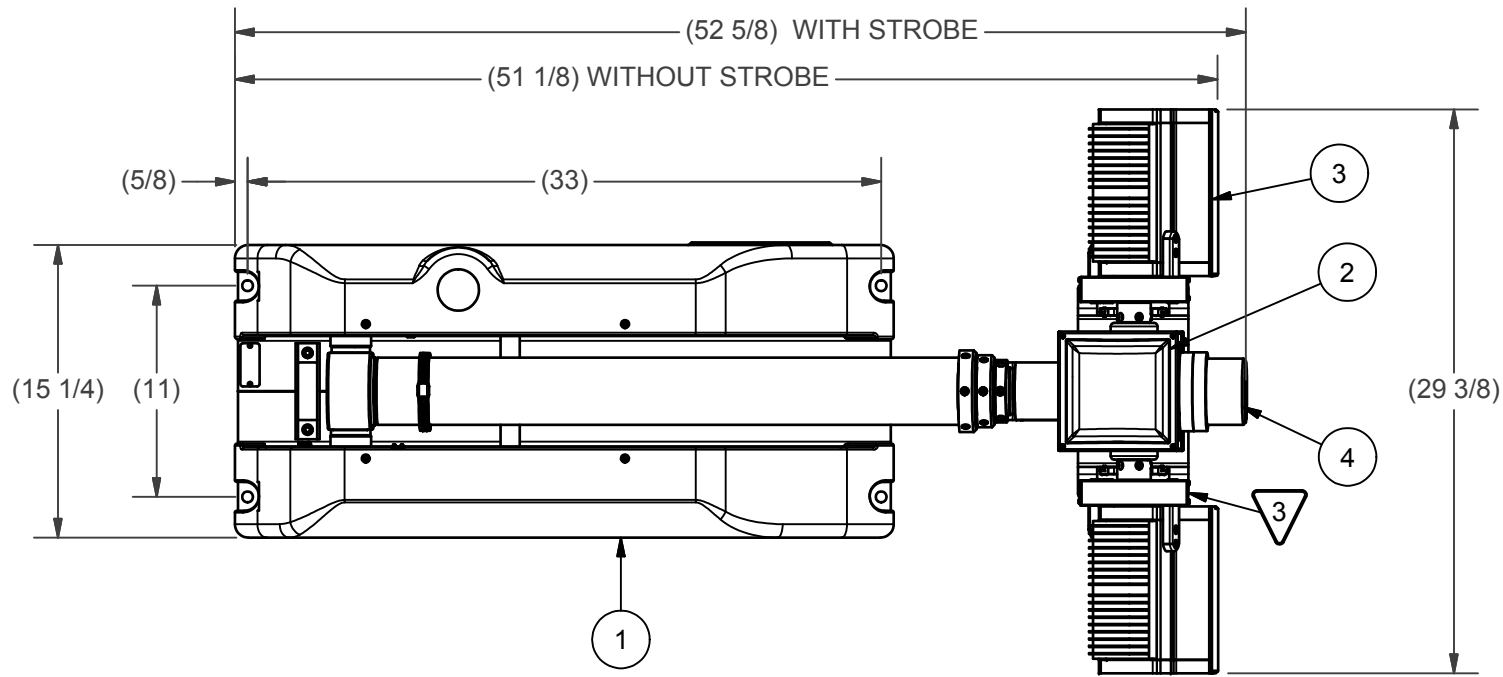


Table				
ASSEMBLY NUMBER	DESCRIPTION	ITEM-2 P/N	ITEM-3 P/N	ITEM-4 P/N
720778041	NS 2.3-300-2 OPT-12VDC WHITE	4548301	4573505	NONE
720779040	NS 2.3-300-2 OPT-24VDC WHITE	4548301	4573502	NONE
720778042	NS 2.3-300-2 OPT-12VDC W/BLUE STROBE	4548305	4573505	4481605
720768042	NS 2.3-1500-2 OPT-110V WHITE	4548301	4573515	NONE
720768041	NS 2.3-1500-2 OPT-220V WHITE	4548301	4573511	NONE
720778043	NS 2.3-300-2 OPT-12VDC WHT W/GRN STRB	4548305	4573505	4481603

REVISION HISTORY				
ECN	REV	DESCRIPTION	DATE	BY/APPR
10768	C	Added P/N 720768042	11/1/2011	RCC\
10874	D	Added P/N 720768041	1/13/2011	RCC\
11148	E	Added P/N 720778043	7/23/2012	RCC\



BOM			
ITEM	QTY	PART NUMBER	DESCRIPTION
1	1	4522001	BASE ASSEMBLY, 7.5 CLR
2	1	SEE TABLE	NSC RCP
3	1	SEE TABLE	OPTIMUM LIGHT KIT
4	1	SEE TABLE	LIGHT, STROBE KIT
5	1	4558901	NSC LABEL KIT (NOT SHOWN)
6	1	900600	MAST OIL (SHIP LOOSE)
7	1	TP-4602001	MANUAL, NS 1.8/2.3, CE, CD VERSION (NOT SHOWN)

- NOTES:
- 1 APPLY RTV #739 OR EQUAL TO ALL OPEN HOLES.
  - 2 SEE WIRING DIAGRAM 46066 FOR ALL UNITS.
  - 3 SET LIGHT BARS HOME POSITION PARALLEL TO BASE PLATE WHEN STOWED.

APPROX. WT: 98.70 lbmass  
THIRD ANGLE PROJECTION

UNLESS OTHERWISE SPECIFIED DIMENSIONS ARE IN INCHES.  
TOLERANCES ON DECIMALS ANGLES  
0 = ± 0.030 ± 1/2°  
00 = ± 0.010  
000 = ± 0.005  
FRACTIONAL ± 1/64"  
1. ALL INSIDE EDGES TO HAVE .005" TO .035" FILLETS.  
2. ALL OUTSIDE EDGES TO HAVE .005" TO .015" CHAMFER OR RADIUS.  
125 ON ALL MACHINED SURFACES

**PROPRIETARY AND CONFIDENTIAL**  
THE INFORMATION CONTAINED IN THIS DRAWING IS THE SOLE PROPERTY OF THE WILL-BURT COMPANY ANY REPRODUCTION IN PART OR WHOLE WITHOUT THE WRITTEN PERMISSION OF THE WILL-BURT COMPANY IS PROHIBITED.

APPROVALS	DATE
DRAWN SMB	2/10/2011
CHECKED	

**WILL-BURT** AN EMPLOYEE OWNED COMPANY  
ORRVILLE, OH

TITLE  
**NS 2.3 2-LIGHT SHORT OPTIMUM KIT (AC & DC)**

SIZE B	DWG NO 720778041	REV E
PN: SEE TABLE	SHEET 1 OF 1	