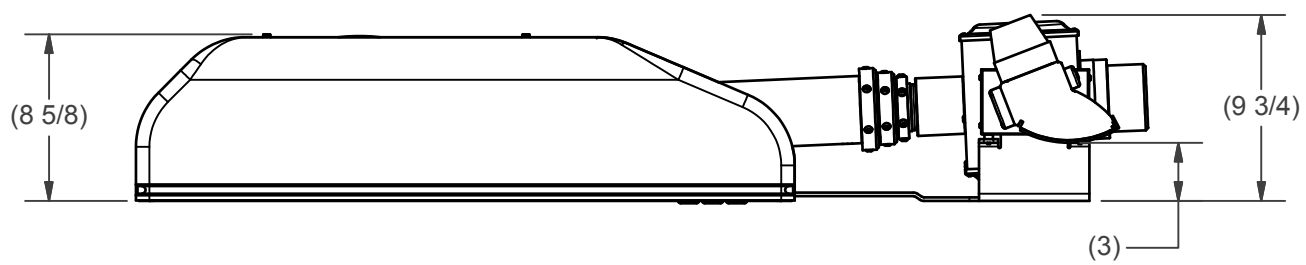
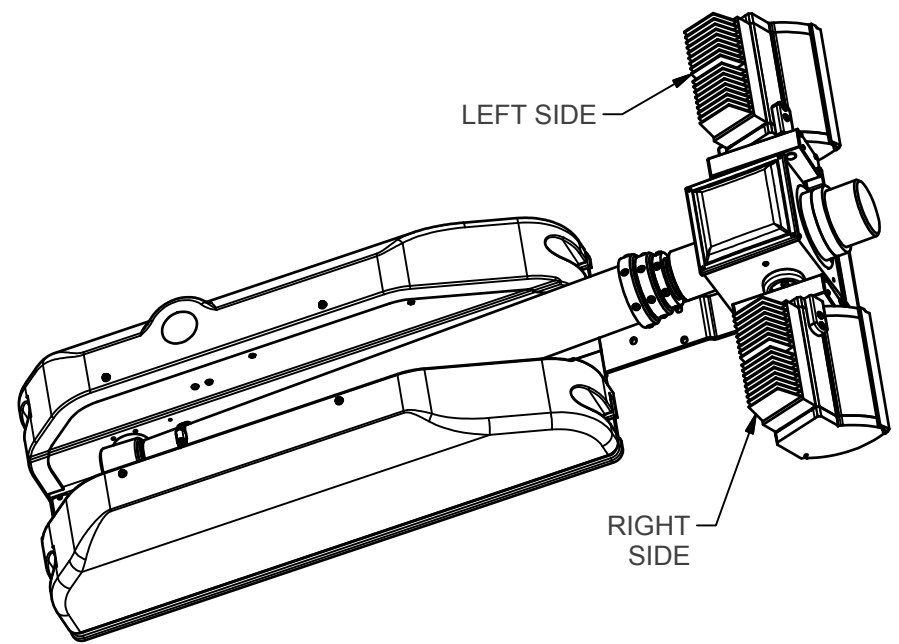
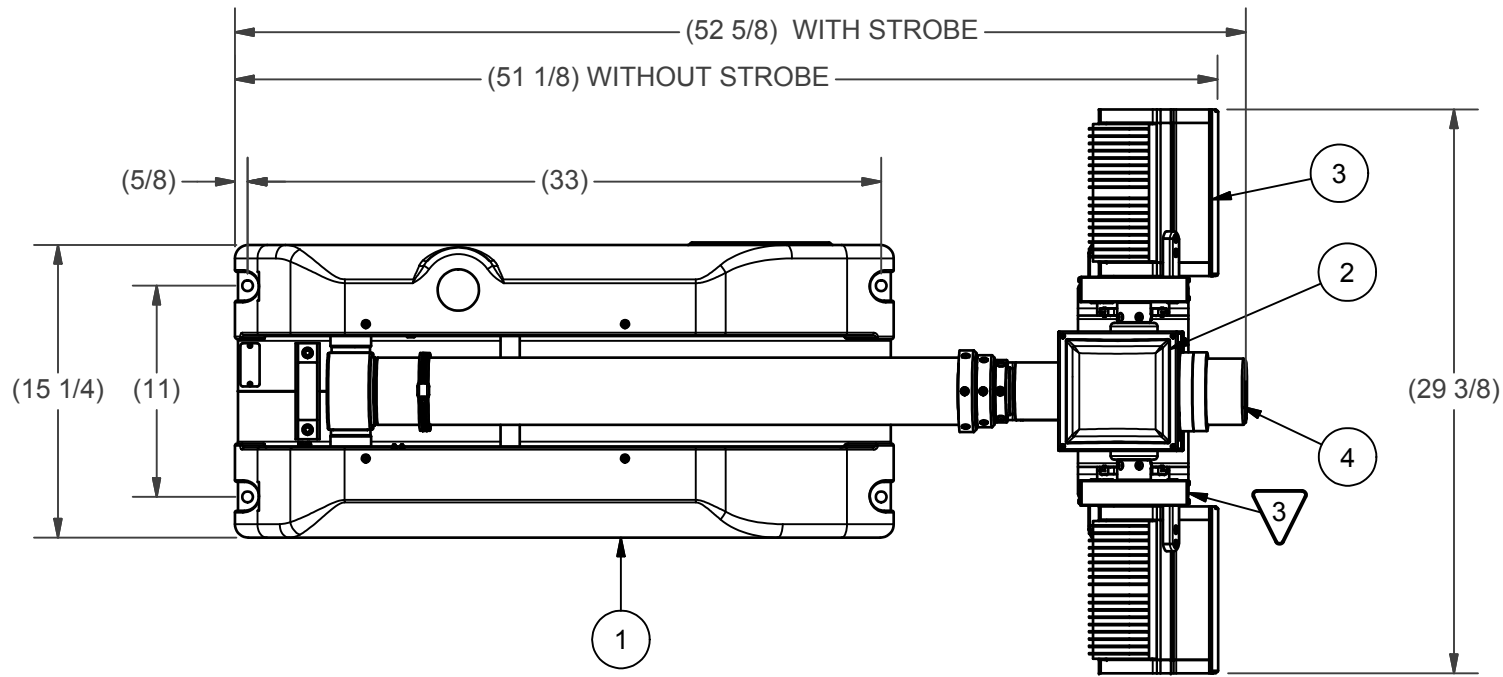


Table				
ASSEMBLY NUMBER	DESCRIPTION	ITEM-2 P/N	ITEM-3 P/N	ITEM-4 P/N
720778041	NS 2.3-300-2 OPT-12VDC WHITE	4548301	4573505	NONE
720779040	NS 2.3-300-2 OPT-24VDC WHITE	4548301	4573502	NONE
720778042	NS 2.3-300-2 OPT-12VDC W/BLUE STROBE	4548305	4573505	4481605
720768042	NS 2.3-1500-2 OPT-110V WHITE	4548301	4573515	NONE
720768041	NS 2.3-1500-2 OPT-220V WHITE	4548301	4573511	NONE
720778043	NS 2.3-300-2 OPT-12VDC WHT W/GRN STRB	4548305	4573505	4481603

REVISION HISTORY				
ECN	REV	DESCRIPTION	DATE	BY/APPR
10768	C	Added P/N 720768042	11/1/2011	RCC\
10874	D	Added P/N 720768041	1/13/2011	RCC\
11148	E	Added P/N 720778043	7/23/2012	RCC\



BOM			
ITEM	QTY	PART NUMBER	DESCRIPTION
1	1	4522001	BASE ASSEMBLY, 7.5 CLR
2	1	SEE TABLE	NSC RCP
3	1	SEE TABLE	OPTIMUM LIGHT KIT
4	1	SEE TABLE	LIGHT, STROBE KIT
5	1	4558901	NSC LABEL KIT (NOT SHOWN)
6	1	900600	MAST OIL (SHIP LOOSE)
7	1	TP-4602001	MANUAL, NS 1.8/2.3, CE, CD VERSION (NOT SHOWN)

- NOTES:
- 1 APPLY RTV #739 OR EQUAL TO ALL OPEN HOLES.
 - 2 SEE WIRING DIAGRAM 46066 FOR ALL UNITS.
 - 3 SET LIGHT BARS HOME POSITION PARALLEL TO BASE PLATE WHEN STOWED.

APPROX. WT: 98.70 lbmass
THIRD ANGLE PROJECTION

UNLESS OTHERWISE SPECIFIED DIMENSIONS ARE IN INCHES.
TOLERANCES ON DECIMALS ANGLES
0 = ± 0.030 ± 1/2°
00 = ± 0.010
000 = ± 0.005
FRACTIONAL ± 1/64"
1. ALL INSIDE EDGES TO HAVE .005" TO .035" FILLETS.
2. ALL OUTSIDE EDGES TO HAVE .005" TO .015" CHAMFER OR RADIUS.
125 ON ALL MACHINED SURFACES

PROPRIETARY AND CONFIDENTIAL
THE INFORMATION CONTAINED IN THIS DRAWING IS THE SOLE PROPERTY OF THE WILL-BURT COMPANY ANY REPRODUCTION IN PART OR WHOLE WITHOUT THE WRITTEN PERMISSION OF THE WILL-BURT COMPANY IS PROHIBITED.

APPROVALS	DATE
DRAWN SMB	2/10/2011
CHECKED	

WILL-BURT AN EMPLOYEE OWNED COMPANY
ORRVILLE, OH

TITLE
NS 2.3 2-LIGHT SHORT OPTIMUM KIT (AC & DC)

SIZE B	DWG NO 720778041	REV E
PN: SEE TABLE	SHEET 1 OF 1	