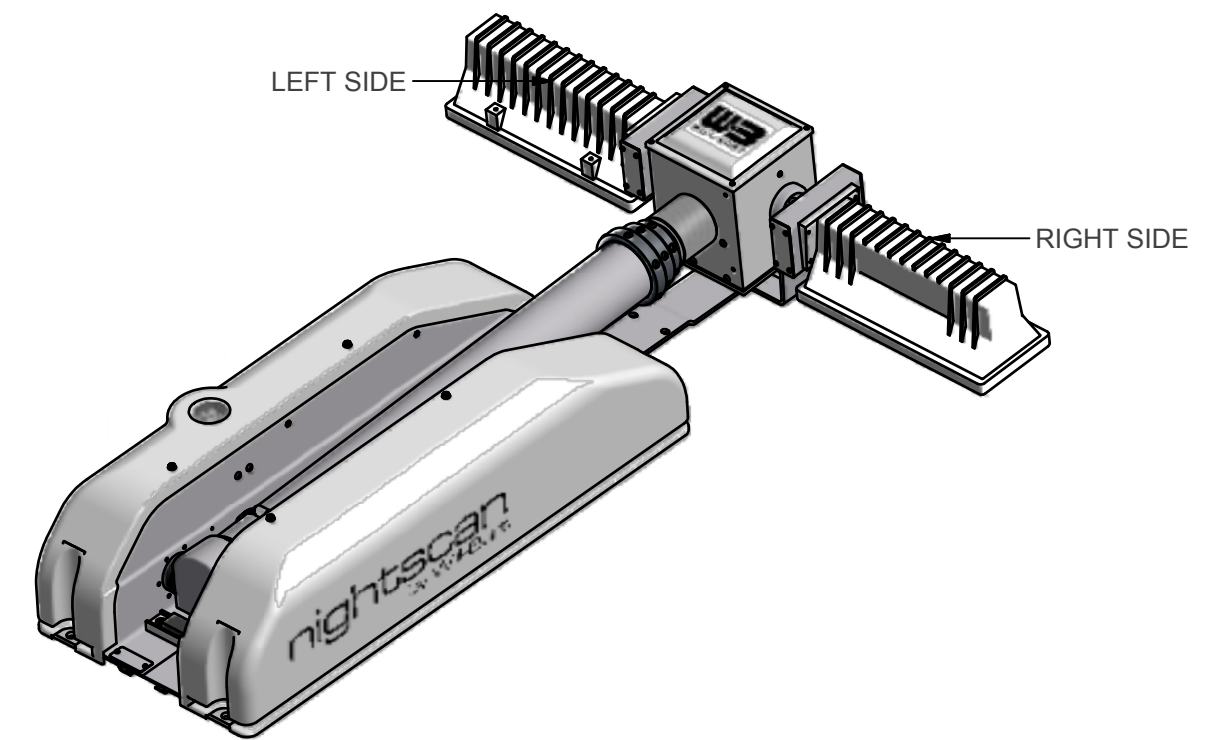
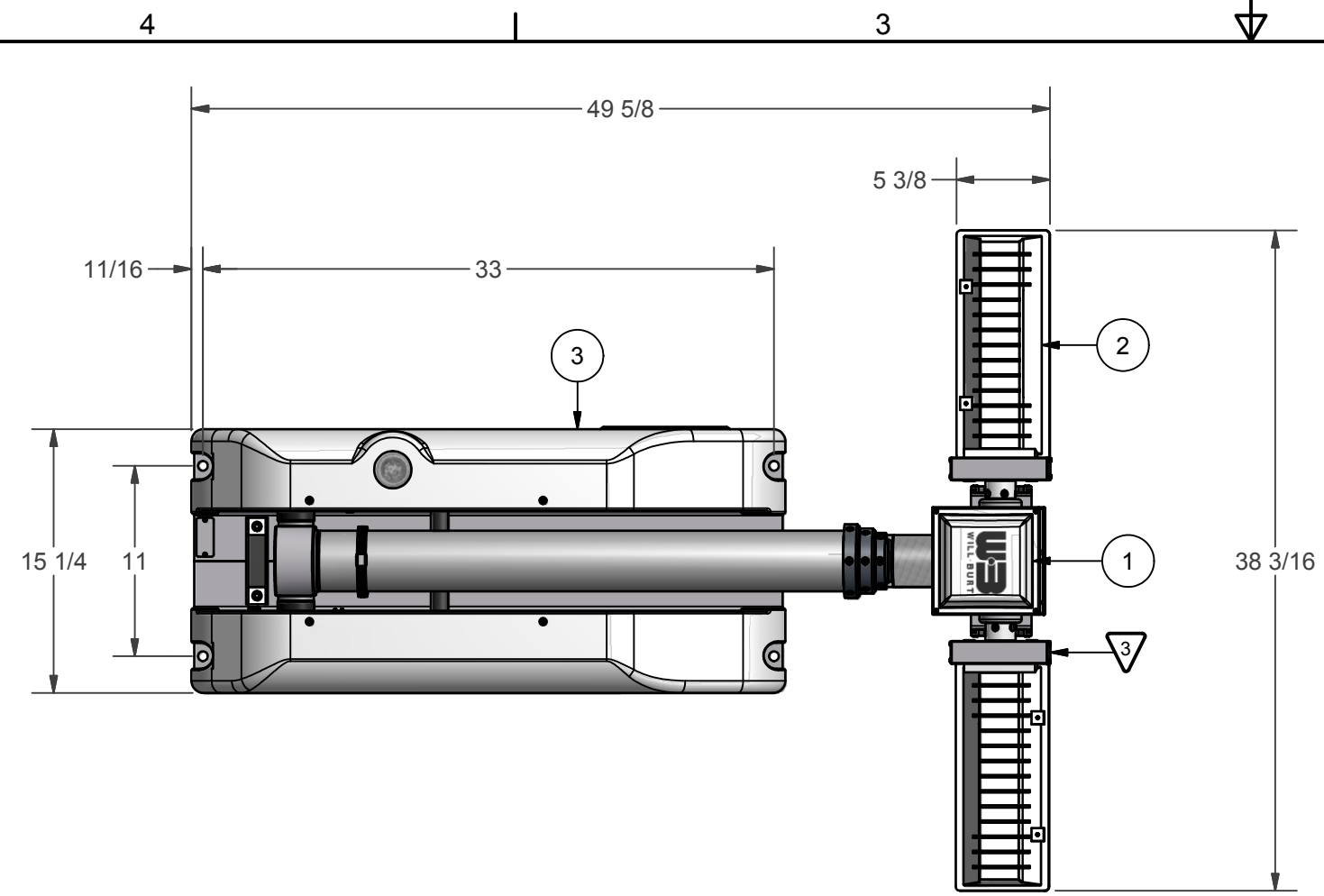


REVISION HISTORY				
ECN	REV	DESCRIPTION	DATE	BY/APPR
10521	A	INITIAL RELEASE	5/5/2011	SMB\



NOTES:

- 1 APPLY RTV #739 OR EQUAL TO ALL OPEN HOLES.
- 2 SEE WIRING DIAGRAM 46066 FOR ALL UNITS.
- 3 SET LIGHT BARS HOME POSITION PARALLEL TO BASE PLATE WHEN STOWED.



MATERIAL	UNLESS OTHERWISE SPECIFIED DIMENSIONS ARE IN INCHES.
FINISH	TOLERANCES ON DECIMALS    ANGLES 0 = ± 0.030                      ± 1/2° 00 = ± 0.010 000 = ± 0.005
APPROX. WT: N/A	FRACTIONAL ± 1/64" 1. ALL INSIDE EDGES TO HAVE .005" TO .035" FILLETS. 2. ALL OUTSIDE EDGES TO HAVE .005" TO .015" CHAMFER OR RADIUS.
THIRD ANGLE PROJECTION	125° ON ALL MACHINED SURFACES

<b>PROPRIETARY AND CONFIDENTIAL</b> THE INFORMATION CONTAINED IN THIS DRAWING IS THE SOLE PROPERTY OF THE WILL-BURT COMPANY ANY REPRODUCTION IN PART OR WHOLE WITHOUT THE WRITTEN PERMISSION OF THE WILL-BURT COMPANY IS PROHIBITED.	
APPROVALS	DATE
DRAWN SMB	5/5/2011
CHECKED	

<b>AN EMPLOYEE OWNED COMPANY</b> ORRVILLE, OH	
TITLE <b>NS 2.3-300-2 MGN 12V &amp; 24V WHITE</b>	
SIZE B	DWG NO 720723041
REV A	
PN: 720723041	SHEET 1 OF 2

BOM			
ITEM	QTY	PART NUMBER	DESCRIPTION
1	1	4548301	NSC RCP, LIGHTS ONLY
2	1	SEE TABLE	LIGHT KIT
3	1	4522001	BASE ASSEMBLY, 7.5 CLR
4	1	4558901	NSC LABEL KIT (NOT SHOWN)
5	1	900600	MAST OIL (SHIP LOOSE)
6	1	TP-4602001	MANUAL, NS 1.8/2.3, CE, CD VERSION (NOT SHOWN)

ASSEMBLY NO	ITEM 2 NO	ITEM 2 DESCRIPTION
720723041	4596001	MGN 2 LIGHT, 300W (2-150 12/24VDC) WHT
720714041	4596003	MGN 2 LIGHT, 1500W (2-750 110VAC) WHT
720717041	4596005	MGN 2 LIGHT, 1800W (2-900 220VAC) WHT

MATERIAL	UNLESS OTHERWISE SPECIFIED DIMENSIONS ARE IN INCHES. TOLERANCES ON DECIMALS    ANGLES 0 = ± 0.030                    ± 1/2' 00 = ± 0.010 000 = ± 0.005 FRACTIONAL ± 1/64" 1. ALL INSIDE EDGES TO HAVE .005" TO .035" FILLETS. 2. ALL OUTSIDE EDGES TO HAVE .005" TO .015" CHAMFER OR RADIUS. 125° ON ALL MACHINED SURFACES	<b>PROPRIETARY AND CONFIDENTIAL</b> THE INFORMATION CONTAINED IN THIS DRAWING IS THE SOLE PROPERTY OF THE WILL-BURT COMPANY ANY REPRODUCTION IN PART OR WHOLE WITHOUT THE WRITTEN PERMISSION OF THE WILL-BURT COMPANY IS PROHIBITED.		 <b>AN EMPLOYEE OWNED COMPANY</b> WILL-BURT                    ORRVILLE, OH	
FINISH				<b>TITLE</b> NS 2.3-300-2 MGN 12V & 24V WHITE	
APPROX. WT: N/A		APPROVALS                    DATE DRAWN                            5/5/2011	SIZE                    DWG NO                    REV B                            720723041                    A		
THIRD ANGLE PROJECTION 		CHECKED	PN: 720723041                    SHEET 2 OF 2		