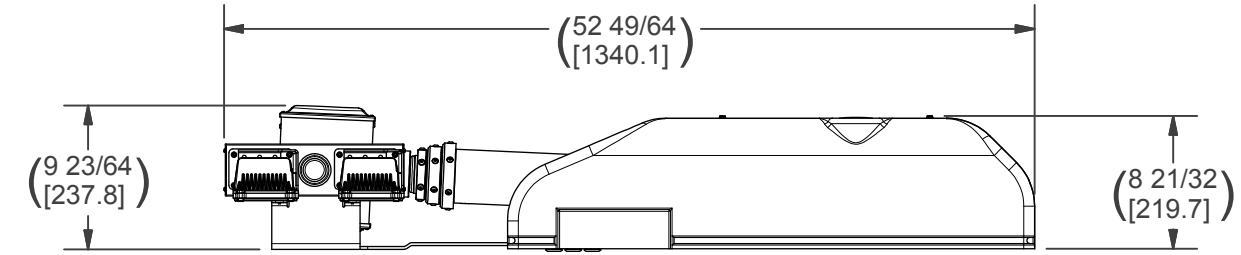
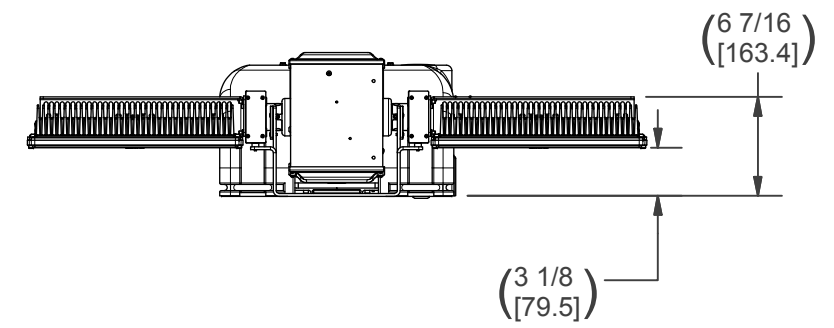
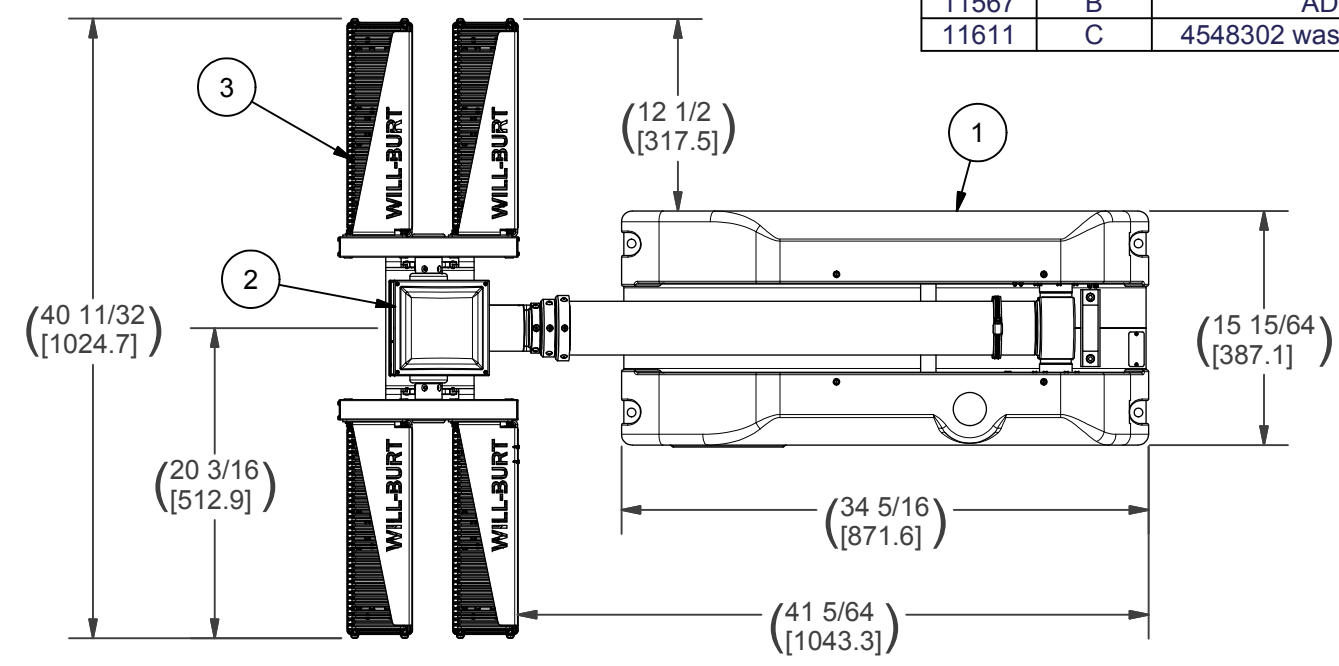


REVISION HISTORY				
ECN	REV	DESCRIPTION	DATE	APPROVED
10623	00	INITIAL RELEASE	7/20/2011	RCC/
10881	A	REPLACE 4558902 WITH 4558901	1/18/2012	CJY/
11567	B	ADDED 720713605 to BOM	4/12/2013	DAS/
11611	C	4548302 was 4548301 & 4621604 was 4621602	5/10/2013	RCC\



BOM					
ITEM	QTY	720713603 CLR	720713605 BLK	DESCRIPTION	
1	1	4522001	4522002	BASE ASSEMBLY, 7.5 CLR	
2	1	4548301	4548302	NSC RCP, LIGHTS ONLY	
3	1	4621602	4621604	WHLN LED 600W (4-150W120VAC) FLD BLK	
4	1	4558902	4558904	NSC LABEL KIT (NOT SHOWN)	
5	1	900600	900600	MAST OIL (SHIP LOOSE) (NOT SHOWN)	
6	1	TP-4602001	TP-4602001	MANUAL, NS 1.8/2.3, CE, CD VERSION (NOT SHOWN)	

NOTES:
 PRIMARY DIMENSIONS INCHES
 SECONDARY DIMENSIONS MILLIMETERS.

ALL SPECIFICATIONS SUBJECT TO CHANGE WITHOUT NOTICE.

APPROX. WT:132.9 lbmass

THIRD ANGLE PROJECTION



UNLESS OTHERWISE SPECIFIED DIMENSIONS ARE IN INCHES.
 TOLERANCES ON DECIMALS ANGLES
 0 = ± 0.030 ± 1/2°
 00 = ± 0.010
 000 = ± 0.005
 FRACTIONAL ± 1/64"
 1. ALL INSIDE EDGES TO HAVE .005" TO .035" FILLETS.
 2. ALL OUTSIDE EDGES TO HAVE .005" TO .015" CHAMFER OR RADIUS.
 125 ON ALL MACHINED SURFACES

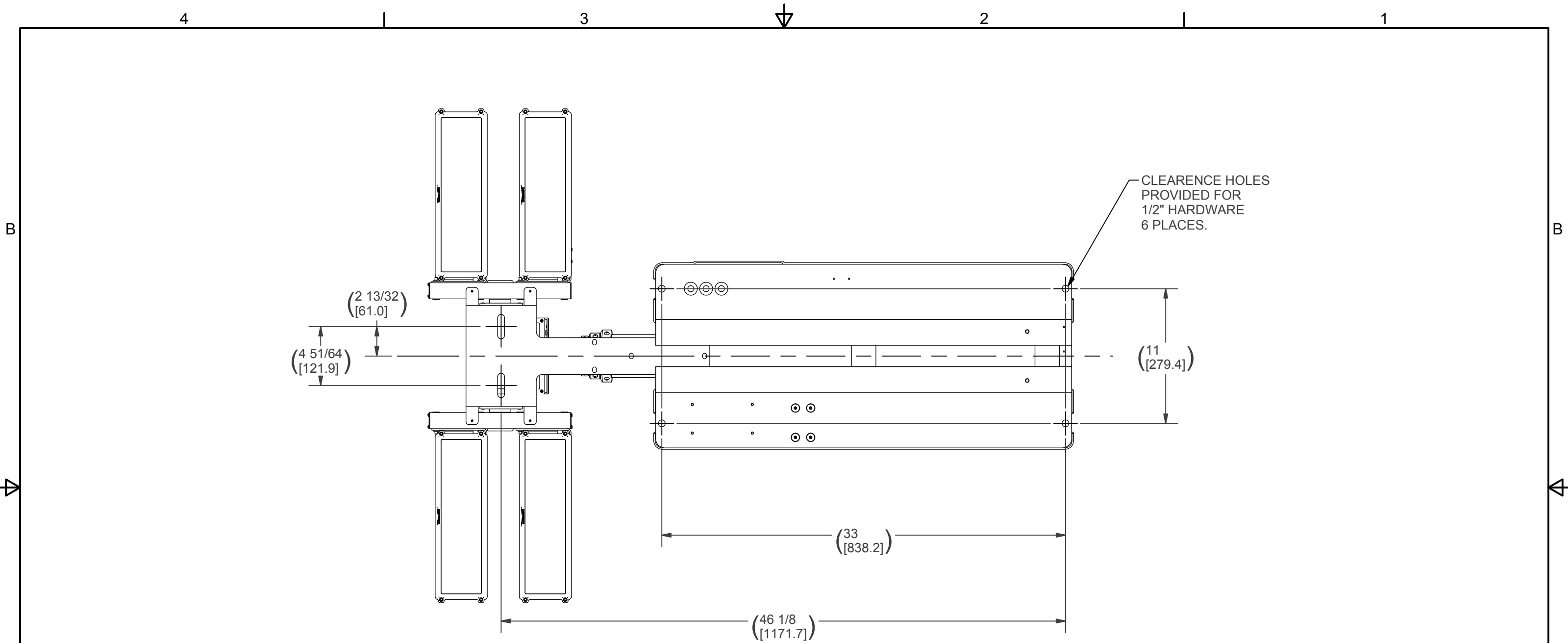
PROPRIETARY AND CONFIDENTIAL
 THE INFORMATION CONTAINED IN THIS DRAWING IS THE SOLE PROPERTY OF THE WILL-BURT COMPANY ANY REPRODUCTION IN PART OR WHOLE WITHOUT THE WRITTEN PERMISSION OF THE WILL-BURT COMPANY IS PROHIBITED.

APPROVALS	DATE
DRAWN RCC	7/20/2011
CHECKED	

WILL-BURT AN EMPLOYEE OWNED COMPANY
 ORRVILLE, OH

TITLE
NS 2.3-600 WHL LED 110 VAC, FLD/FLD

SIZE B	DWG NO 720713603	REV C
PN: SEE BOM		SHEET 1 OF 2



MOUNTING (BOLT PATTERN)

NOTES:
 PRIMARY DIMENSIONS INCHES
 SECONDARY DIMENSIONS MILLIMETERS.

APPROX. WT:132.9 lbmass

THIRD ANGLE PROJECTION



UNLESS OTHERWISE SPECIFIED DIMENSIONS ARE IN INCHES.

TOLERANCES ON DECIMALS ANGLES
 0 = ± 0.030 ± 1/2°
 00 = ± 0.010
 000 = ± 0.005

FRACTIONAL ± 1/64"

1. ALL INSIDE EDGES TO HAVE .005" TO .035" FILLETS.
 2. ALL OUTSIDE EDGES TO HAVE .005" TO .015" CHAMFER OR RADIUS.

125/ ON ALL MACHINED SURFACES

PROPRIETARY AND CONFIDENTIAL

THE INFORMATION CONTAINED IN THIS DRAWING IS THE SOLE PROPERTY OF THE WILL-BURT COMPANY ANY REPRODUCTION IN PART OR WHOLE WITHOUT THE WRITTEN PERMISSION OF THE WILL-BURT COMPANY IS PROHIBITED.

WB AN EMPLOYEE OWNED COMPANY
 WILL-BURT ORRVILLE, OH

TITLE
NS 2.3-600 WHL LED 110 VAC, FLD/FLD

APPROVALS	DATE
DRAWN RCC	7/20/2011
CHECKED	

SIZE	DWG NO	REV
B	720713603	C
PN: SEE BOM		SHEET 2 OF 2