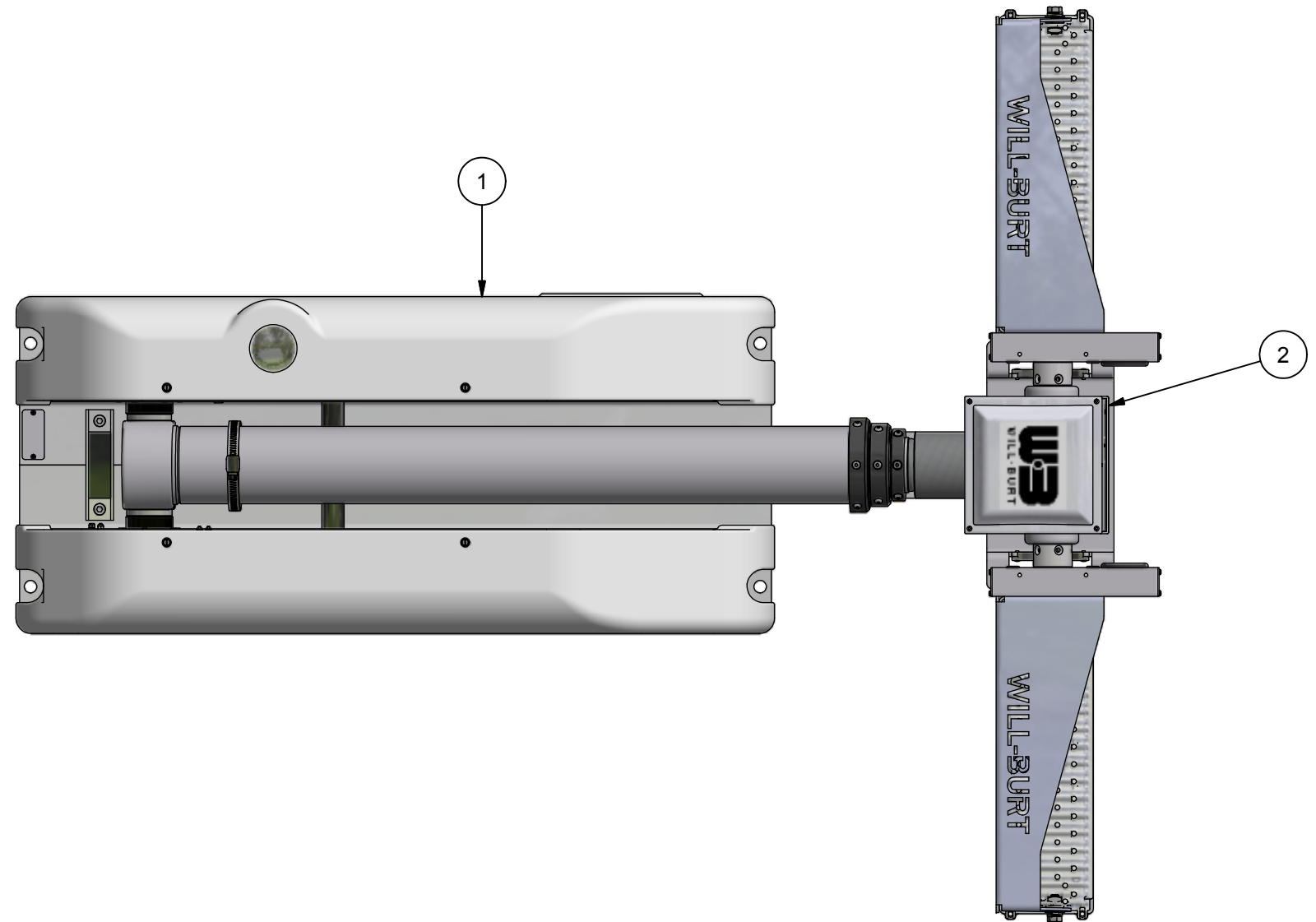


REVISION HISTORY				
ECN	REV	DESCRIPTION	DATE	APPROVED
13983	00	INITIAL RELEASE	5/1/2018	RCC



NOTES:

- 1 APPLY RTV #739 OR EQUAL TO ALL OPEN HOLES.
- 2 SEE WIRING DIAGRAM WD-46276 FOR ALL UNITS.
- 3 SET LIGHT BARS HOME POSITION PARALLEL TO BASE PLATE WHEN STOWED.

BOM			
ITEM	QTY	PART NUMBER	DESCRIPTION
1	1	4522001	BASE ASSEMBLY, 7.5 CLR
2	1	4548301	NSC RCP, LIGHTS ONLY
3	1	4597109	WHLN LED 2 LIGHT 300W (2-75W 12VDC) PFH2
4	1	4558902	NSC LABEL KIT, NON-CE (NOT SHOWN)
5	1	TP-4602001	MANUAL, NS 1.8/2.3, CE, CD VERSION (NOT SHOWN)
6	1	WD-46276	WIRING DIAGRAM (NOT SHOWN)

APPROX. WT:104.4 lbmass

THIRD ANGLE PROJECTION



UNLESS OTHERWISE SPECIFIED DIMENSIONS ARE IN INCHES.

TOLERANCES ON DECIMALS    ANGLES  
 0 = ± 0.030                      ± 1/2°  
 00 = ± 0.010  
 000 = ± 0.005

FRACTIONAL ± 1/64"

1. ALL INSIDE EDGES TO HAVE .005" TO .035" FILLETS.  
 2. ALL OUTSIDE EDGES TO HAVE .005" TO .015" CHAMFER OR RADIUS.

125° ON ALL MACHINED SURFACES

**PROPRIETARY AND CONFIDENTIAL**

THE INFORMATION CONTAINED IN THIS DRAWING IS THE SOLE PROPERTY OF THE WILL-BURT COMPANY ANY REPRODUCTION IN PART OR WHOLE WITHOUT THE WRITTEN PERMISSION OF THE WILL-BURT COMPANY IS PROHIBITED.



TITLE  
**NS 2.3 300 2-WHL PFH2  
 FLD/FLD 12VDC**

APPROVALS	DATE
DRAWN RCC	5/1/2018
CHECKED	

SIZE	DWG NO	REV
B	720712639	00

PN: 720712639      SHEET 1 OF 2

