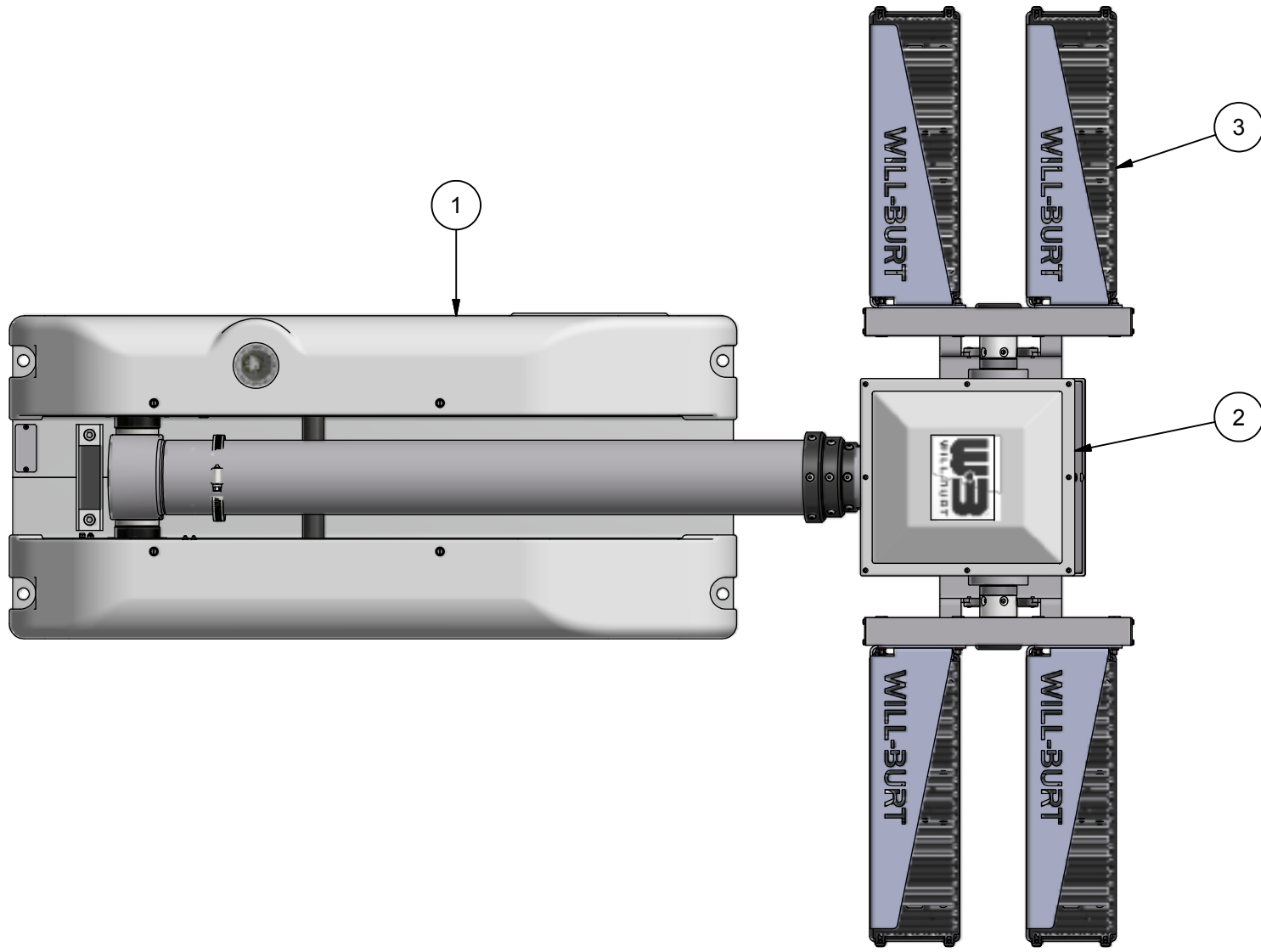


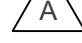



REVISION HISTORY				
ECN	REV	DESCRIPTION	DATE	BY/APPR
12141	00	INITIAL RELEASE	4/28/2014	RCC
12580	A	CHANGED NOTE TWO TO REFERENCE DRAWING WD-46276	3/31/2015	KWBH



- NOTES:
-   APPLY RTV #739 OR EQUAL TO ALL OPEN HOLES.
 -   SEE WIRING DIAGRAM WD-46276 FOR ALL UNITS.
 -   SET LIGHT BARS HOME POSITION PARALLEL TO BASE PLATE WHEN STOWED.

BOM			
ITEM	QTY	PART NUMBER	DESCRIPTION
1	1	5052901	NSC BASE ASM, 7.5FT DL TLT RCP CLR
2	1	4742501	RCP ASSEMBLY NSP STD
3	1	4597202	LED 600W (4 X 150) WHL LIGHT KIT 12V FLD
4	1	4558901	NSC LABEL KIT (NOT SHOWN)
5	1	TP-4602001	MANUAL, NS 1.8/2.3, CE, CD VERSION (NOT SHOWN)

APPROX. WT:139.4 lbmass

THIRD ANGLE PROJECTION



UNLESS OTHERWISE SPECIFIED
DIMENSIONS ARE IN INCHES.

TOLERANCES ON DECIMALS ANGLES
 0 = ± 0.030 ± 1/2°
 00 = ± 0.010
 000 = ± 0.005

FRACTIONAL ± 1/64"

1. ALL INSIDE EDGES TO HAVE
.005" TO .035" FILLETS.
 2. ALL OUTSIDE EDGES TO HAVE
.005" TO .015" CHAMFER OR RADIUS.

1/25° ON ALL MACHINED SURFACES

PROPRIETARY AND CONFIDENTIAL

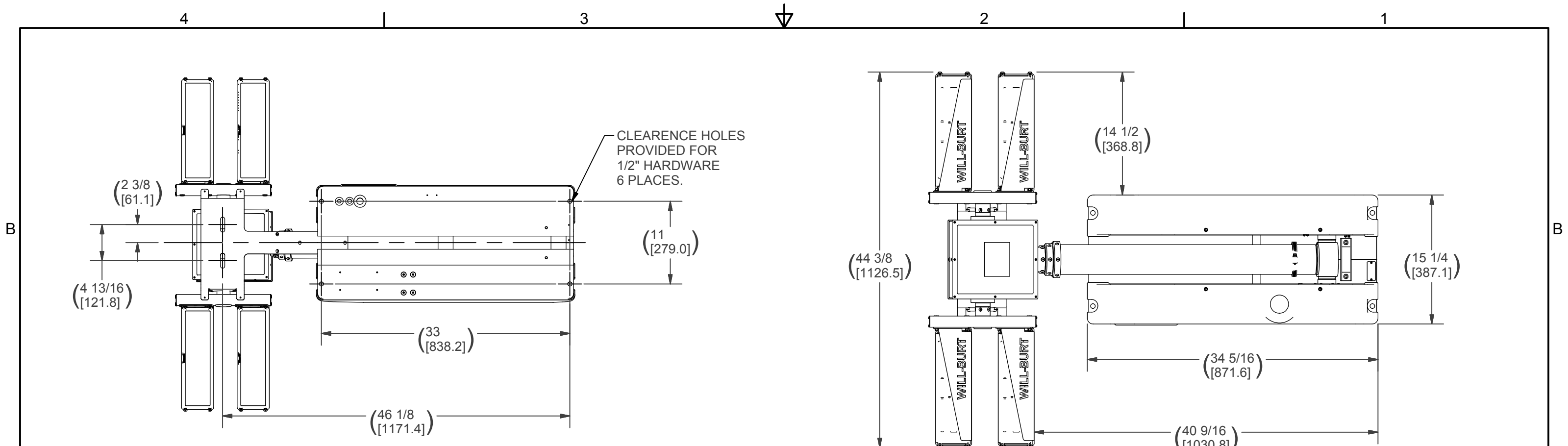
THE INFORMATION CONTAINED IN THIS
DRAWING IS THE SOLE PROPERTY OF THE
WILL-BURT COMPANY ANY REPRODUCTION
IN PART OR WHOLE WITHOUT THE WRITTEN
PERMISSION OF THE WILL-BURT COMPANY IS
PROHIBITED.



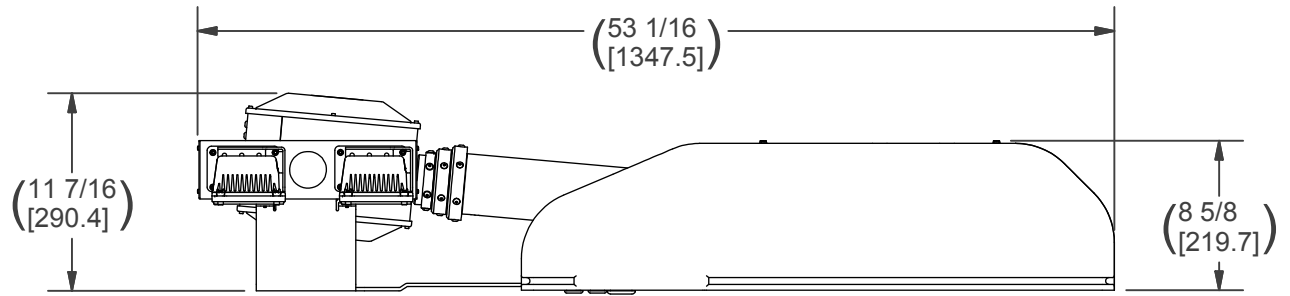
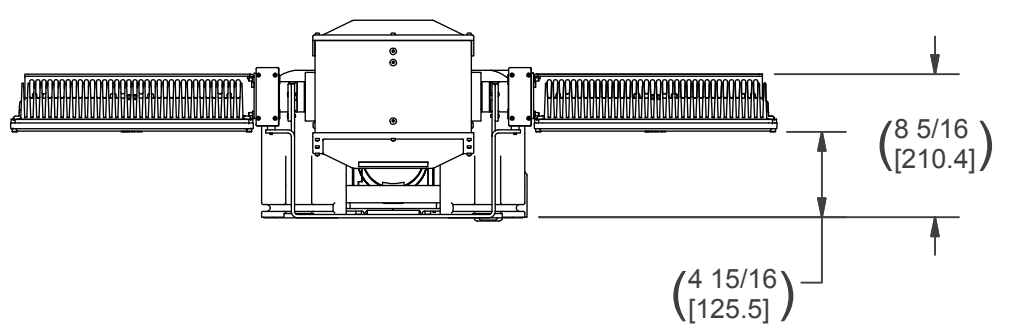
TITLE
**NS 2.3-600 WHL LED 12VDC,
DL TLT RCP, FLD/FLD**

APPROVALS	DATE
DRAWN RCC	4/28/2014
CHECKED	

SIZE	DWG NO	REV
B	720712618	A
PN: SEE TABLE ABOVE		SHEET 1 OF 2



MOUNTING (BOLT PATTERN)
(BOTTOM VIEW)



NOTES:
PRIMARY DIMENSIONS INCHES
SECONDARY DIMENSIONS MILLIMETERS.

APPROX. WT:139.4 lbmass

THIRD ANGLE PROJECTION



UNLESS OTHERWISE SPECIFIED
DIMENSIONS ARE IN INCHES.
TOLERANCES ON DECIMALS ANGLES
0 = ± 0.030 ± 1/2°
.00 = ± 0.010
.000 = ± 0.005
FRACTIONAL ± 1/64"
1. ALL INSIDE EDGES TO HAVE
.005" TO .035" FILLETS.
2. ALL OUTSIDE EDGES TO HAVE
.005" TO .015" CHAMFER OR RADIUS.
1/25 ON ALL MACHINED SURFACES

PROPRIETARY AND CONFIDENTIAL
THE INFORMATION CONTAINED IN THIS
DRAWING IS THE SOLE PROPERTY OF THE
WILL-BURT COMPANY ANY REPRODUCTION
IN PART OR WHOLE WITHOUT THE WRITTEN
PERMISSION OF THE WILL-BURT COMPANY IS
PROHIBITED.

APPROVALS	DATE
DRAWN RCC	4/28/2014
CHECKED	

WILL-BURT AN EMPLOYEE OWNED COMPANY
ORRVILLE, OH

TITLE
**NS 2.3-600 WHL LED 12VDC,
DL TLT RCP, FLD/FLD**

SIZE	DWG NO	REV
B	720712618	A

PN: SEE TABLE ABOVE SHEET 2 OF 2

ALL SPECIFICATIONS SUBJECT TO CHANGE WITHOUT NOTICE.