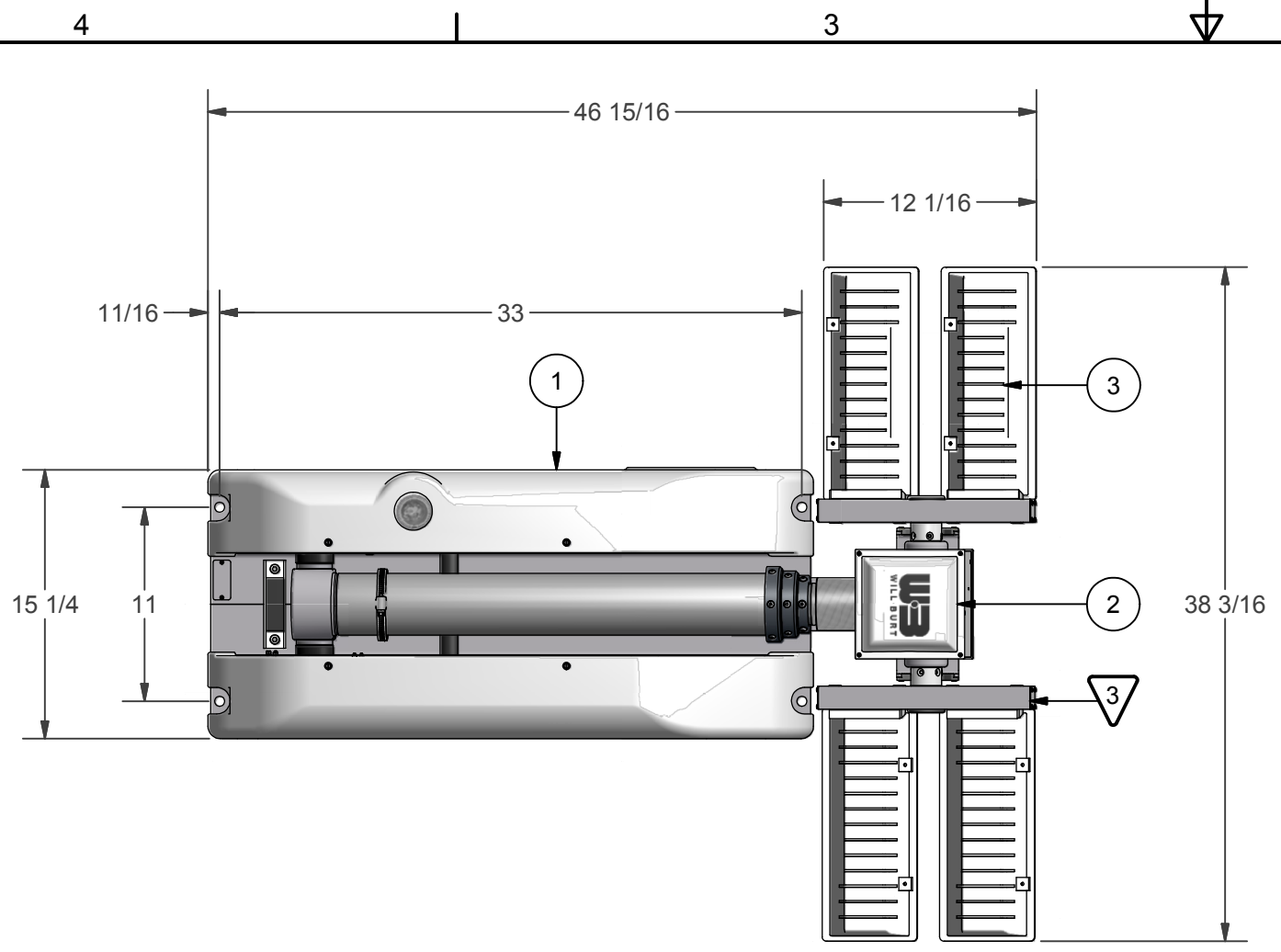


REVISION HISTORY				
ECN	REV	DESCRIPTION	DATE	BY/APPR
10428	A	INITIAL RELEASE	2/24/2011	SMB\




NOTES:

- 1 APPLY RTV #739 OR EQUAL TO ALL OPEN HOLES.
- 2 SEE WIRING DIAGRAM 46066 FOR ALL UNITS.
- 3 SET LIGHT BARS HOME POSITION PARALLEL TO BASE PLATE WHEN STOWED.


MATERIAL	UNLESS OTHERWISE SPECIFIED DIMENSIONS ARE IN INCHES.
FINISH	TOLERANCES ON DECIMALS ANGLES 0 = ± 0.030 ± 1/2° 00 = ± 0.010 000 = ± 0.005
APPROX. WT:N/A	FRACTIONAL ± 1/64"
THIRD ANGLE PROJECTION	1. ALL INSIDE EDGES TO HAVE .005" TO .035" FILLETS. 2. ALL OUTSIDE EDGES TO HAVE .005" TO .015" CHAMFER OR RADIUS.
	125° ON ALL MACHINED SURFACES

PROPRIETARY AND CONFIDENTIAL THE INFORMATION CONTAINED IN THIS DRAWING IS THE SOLE PROPERTY OF THE WILL-BURT COMPANY ANY REPRODUCTION IN PART OR WHOLE WITHOUT THE WRITTEN PERMISSION OF THE WILL-BURT COMPANY IS PROHIBITED.	
APPROVALS	DATE
DRAWN SMB	2/24/2011
CHECKED	

 AN EMPLOYEE OWNED COMPANY ORRVILLE, OH	
TITLE NS 1.8-3600-4 MGN 220V WHITE	
SIZE B	DWG NO 720618041
REV A	
PN: 720618041	SHEET 1 OF 2

BOM			
ITEM	QTY	PART NUMBER	DESCRIPTION
1	1	4522003	NSC BASE ASSEMBLY 6.0 WHITE
2	1	4548301	NSC RCP, LIGHTS ONLY
3	1	SEE TABLE	LIGHT KIT
4	1	4558901	NSC LABEL KIT (NOT SHOWN)
5	1	900600	MAST OIL (SHIP LOOSE)
6	1	TP-4602001	MANUAL, NS 1.8/2.3, CE, CD VERSION (NOT SHOWN)
7	1	4584001	FILLER, CORRUGATED NSC

ASSEMBLY NO	ITEM 3 PART NO	ITEM 3 DESCRIPTION
720618041	4590901	MGN 4 LIGHT, 3600W (4-900W 220VAC) WHT
720615041	4590903	MGN 4 LIGHT, 3000W (4-750W 110VAC) WHT

MATERIAL	UNLESS OTHERWISE SPECIFIED DIMENSIONS ARE IN INCHES. TOLERANCES ON DECIMALS ANGLES 0 = ± 0.030 ± 1/2' 00 = ± 0.010 000 = ± 0.005 FRACTIONAL ± 1/64" 1. ALL INSIDE EDGES TO HAVE .005" TO .035" FILLETS. 2. ALL OUTSIDE EDGES TO HAVE .005" TO .015" CHAMFER OR RADIUS. 125° ON ALL MACHINED SURFACES	PROPRIETARY AND CONFIDENTIAL THE INFORMATION CONTAINED IN THIS DRAWING IS THE SOLE PROPERTY OF THE WILL-BURT COMPANY ANY REPRODUCTION IN PART OR WHOLE WITHOUT THE WRITTEN PERMISSION OF THE WILL-BURT COMPANY IS PROHIBITED.		 AN EMPLOYEE OWNED COMPANY ORRVILLE, OH	
FINISH				TITLE NS 1.8-3600-4 MGN 220V WHITE	
APPROX. WT:N/A		APPROVALS DATE DRAWN 2/24/2011	SIZE DWG NO B 720618041	REV A	
THIRD ANGLE PROJECTION		CHECKED	PN: 720618041	SHEET 2 OF 2	