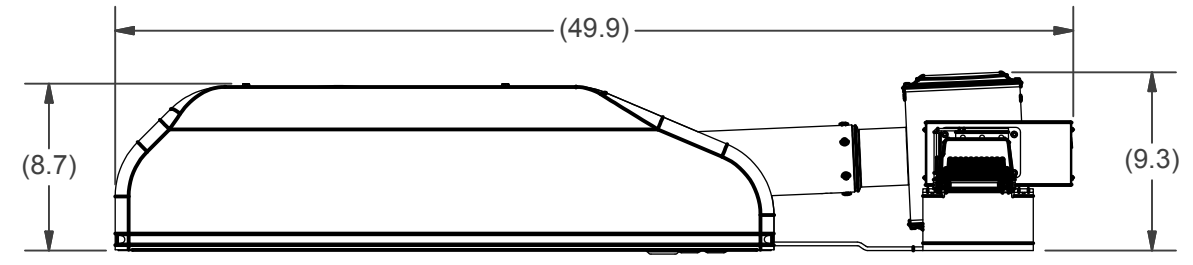
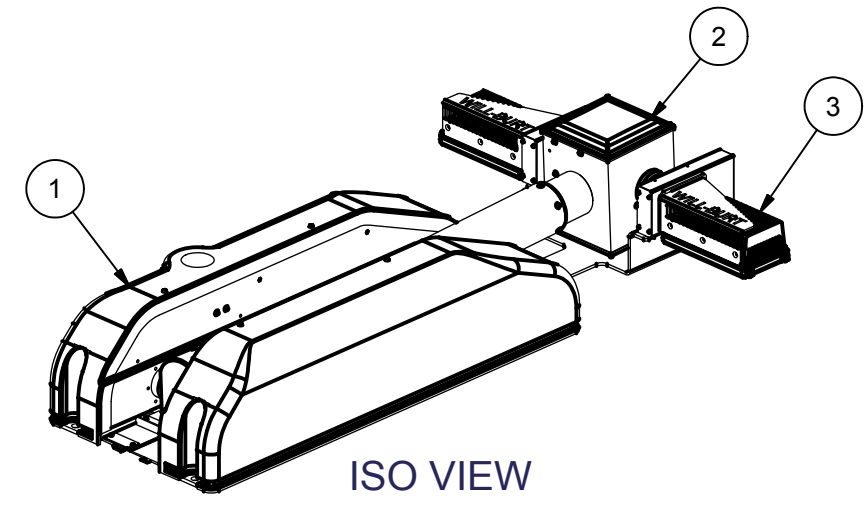
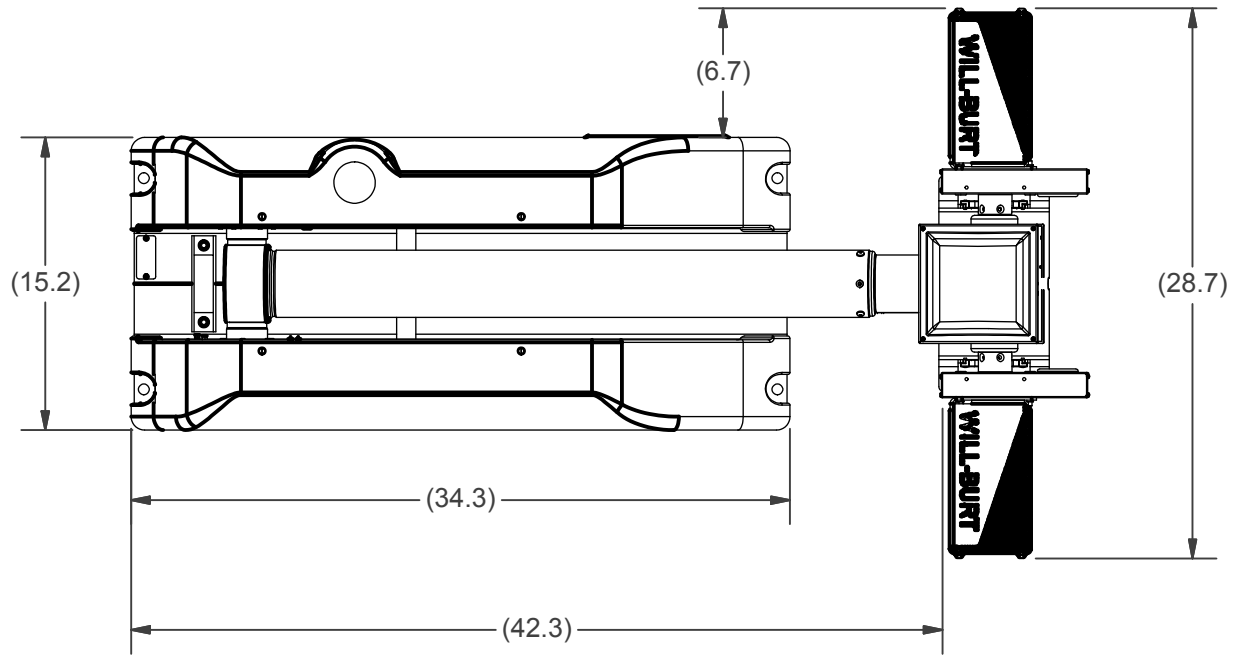


REVISION HISTORY				
ECN	REV	DESCRIPTION	DATE	APPROVED
13331	00	INITIAL RELEASE	8/17/2016	RCC



BOM			
ITEM	QTY	PART NUMBER	DESCRIPTION
1	1	5351401	NSC BASE ASSY 1.0M CHF/SCT CLR
2	1	4548301	NSC RCP, LIGHTS ONLY
3	1	4597101	WHELEN LED 2 LIGHT 150W (2-75W 12VDC)
4	1	4558902	NSC LABEL KIT (NOT SHOWN)
5	1	WD-46276	WIRING DIAGRAM
6	1	TP-4602001	NS CHIEF 1.8/2.3 OPERATOR'S MANUAL (NOT SHOWN)

- NOTE:
- 1 APPLY RTV #739 OR EQUAL TO ALL OPEN HOLES.
  - 2 SEE WIRING DIAGRAM WD-46276 FOR ALL UNITS.
  - 3 SET LIGHT BARS HOME POSITION PARALLEL TO BASE PLATE WHEN STOWED.

APPROX. WT:89.1 lbmass

THIRD ANGLE PROJECTION



UNLESS OTHERWISE SPECIFIED  
DIMENSIONS ARE IN INCHES.

TOLERANCES ON DECIMALS ANGLES  
 0 = ± 0.030 ± 1/2°  
 00 = ± 0.010  
 000 = ± 0.005  
 FRACTIONAL ± 1/64"

1. ALL INSIDE EDGES TO HAVE  
.005" TO .035" FILLETS.  
 2. ALL OUTSIDE EDGES TO HAVE  
.005" TO .015" CHAMFER OR RADIUS.  
 125√ ON ALL MACHINED SURFACES

**PROPRIETARY AND CONFIDENTIAL**

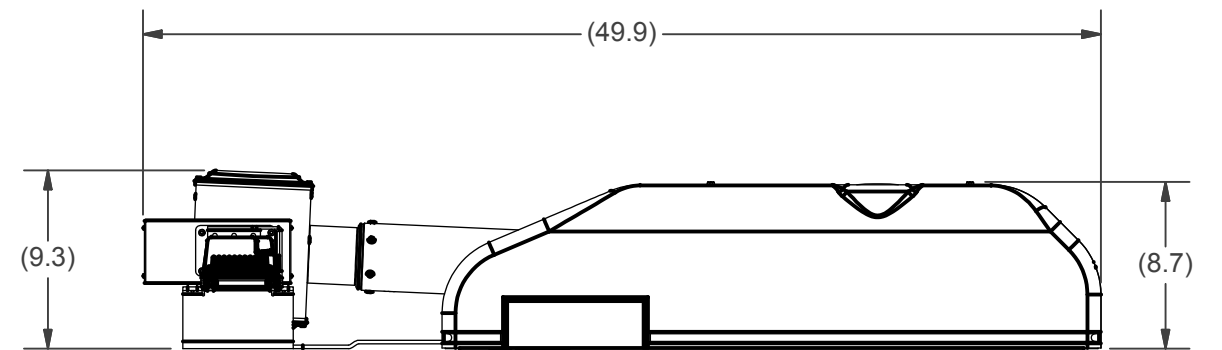
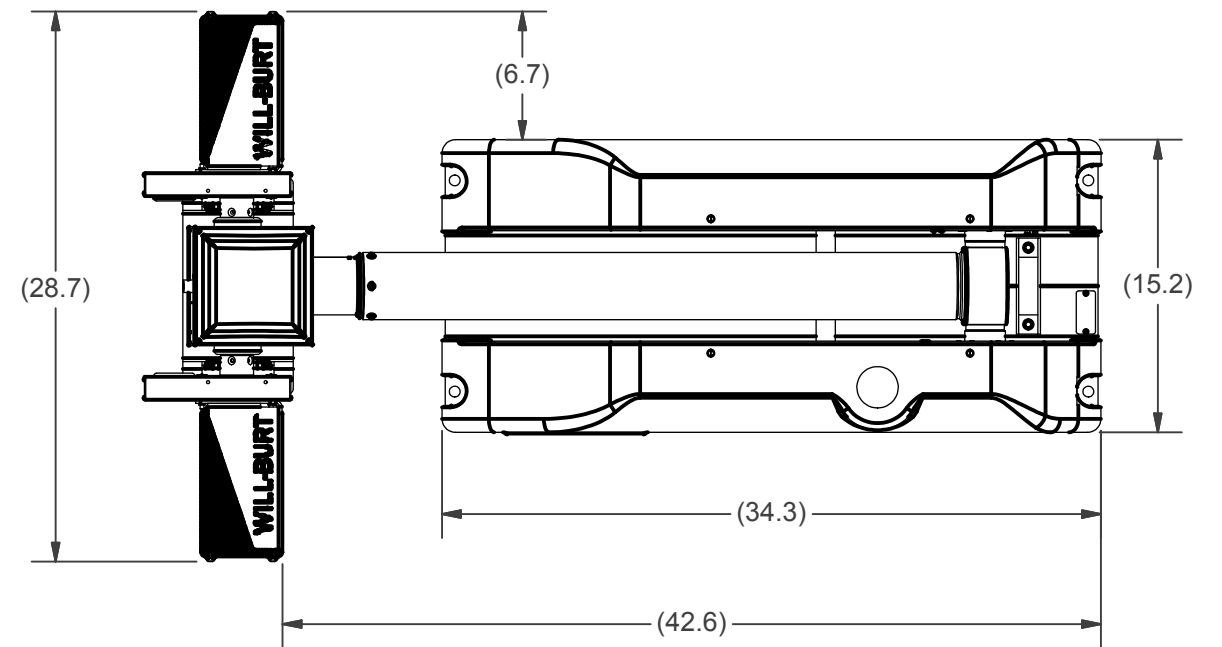
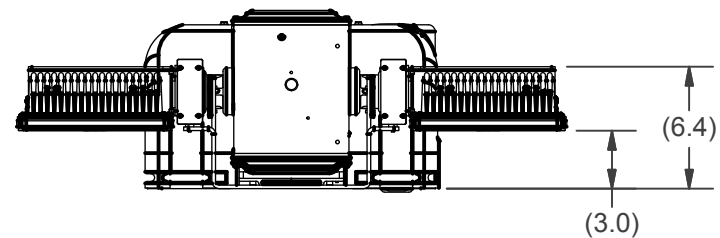
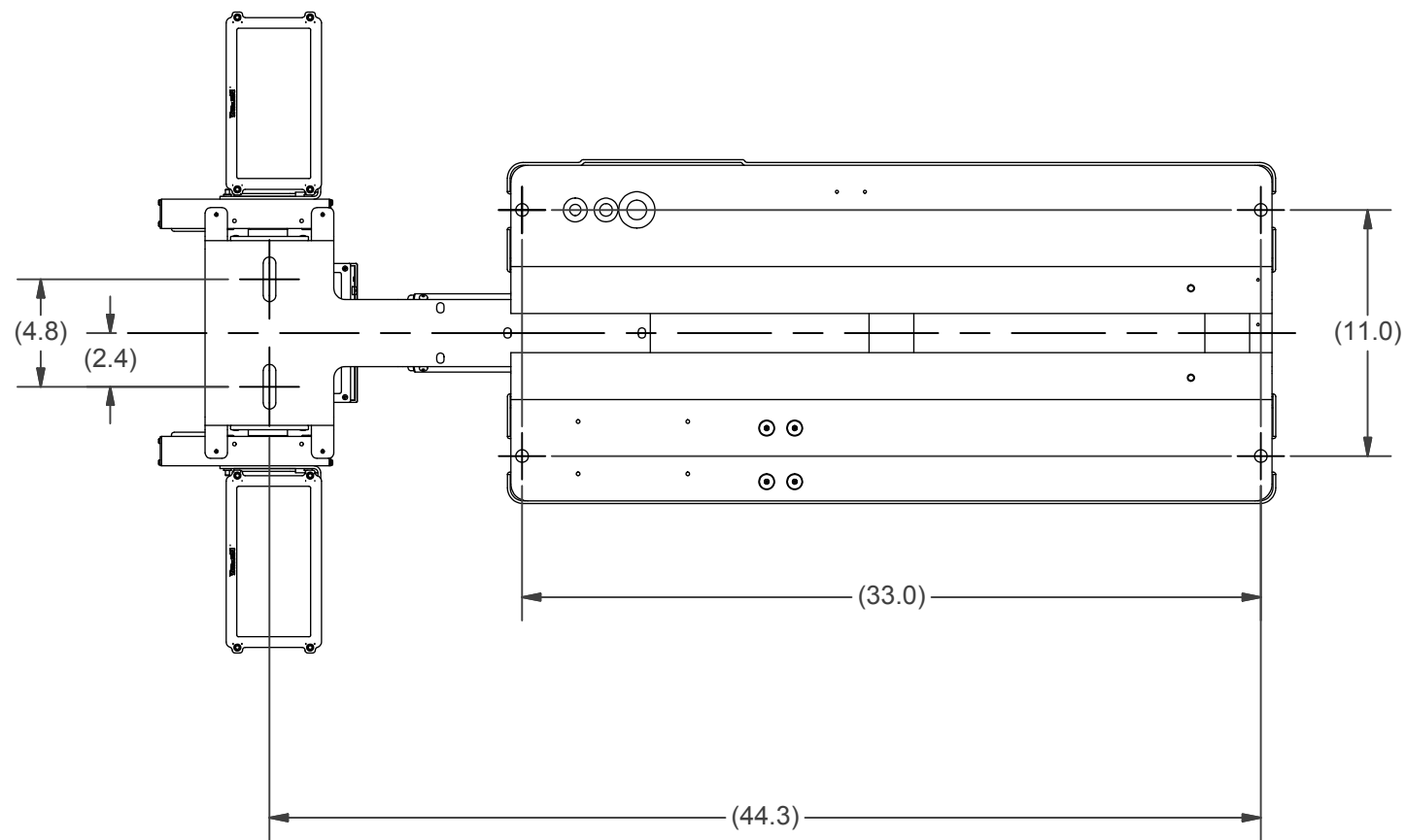
THE INFORMATION CONTAINED IN THIS DRAWING IS THE SOLE PROPERTY OF THE WILL-BURT COMPANY ANY REPRODUCTION IN PART OR WHOLE WITHOUT THE WRITTEN PERMISSION OF THE WILL-BURT COMPANY IS PROHIBITED.

**W.B. WILL-BURT** AN EMPLOYEE OWNED COMPANY  
ORRVILLE, OH

TITLE  
**NSS 1.0 CHF/SCT 150W  
2X75W 12VDC WHT**

APPROVALS	DATE
DRAWN RCC	8/17/2016
CHECKED	

SIZE	DWG NO	REV
B	720351255	00
PN: 720351255		SHEET 1 OF 2



APPROX. WT:89.1 lbmass

THIRD ANGLE PROJECTION



**UNLESS OTHERWISE SPECIFIED  
DIMENSIONS ARE IN INCHES.**  
 TOLERANCES ON DECIMALS ANGLES  
 0 = ± 0.030 ± 1/2°  
 00 = ± 0.010  
 000 = ± 0.005  
 FRACTIONAL ± 1/64"  
 1. ALL INSIDE EDGES TO HAVE  
 .005" TO .035" FILLETS.  
 2. ALL OUTSIDE EDGES TO HAVE  
 .005" TO .015" CHAMFER OR RADIUS.  
 125√ ON ALL MACHINED SURFACES

**PROPRIETARY AND CONFIDENTIAL**  
 THE INFORMATION CONTAINED IN THIS  
 DRAWING IS THE SOLE PROPERTY OF THE  
 WILL-BURT COMPANY ANY  
 REPRODUCTION IN PART OR WHOLE  
 WITHOUT THE WRITTEN PERMISSION OF  
 THE WILL-BURT COMPANY IS PROHIBITED.

**WB** AN EMPLOYEE OWNED COMPANY  
 WILL-BURT ORRVILLE, OH

TITLE  
**NSS 1.0 CHF/SCT 150W  
 2X75W 12VDC WHT**

APPROVALS	DATE
DRAWN RCC	8/17/2016
CHECKED	

SIZE	DWG NO	REV
B	720351255	00
PN: 720351255		SHEET 2 OF 2