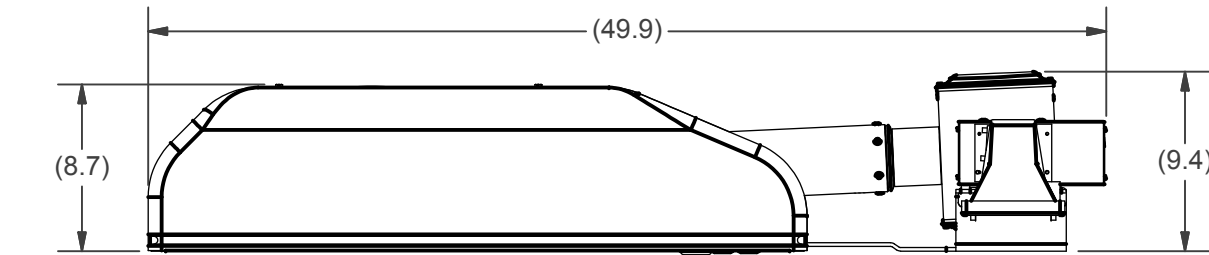
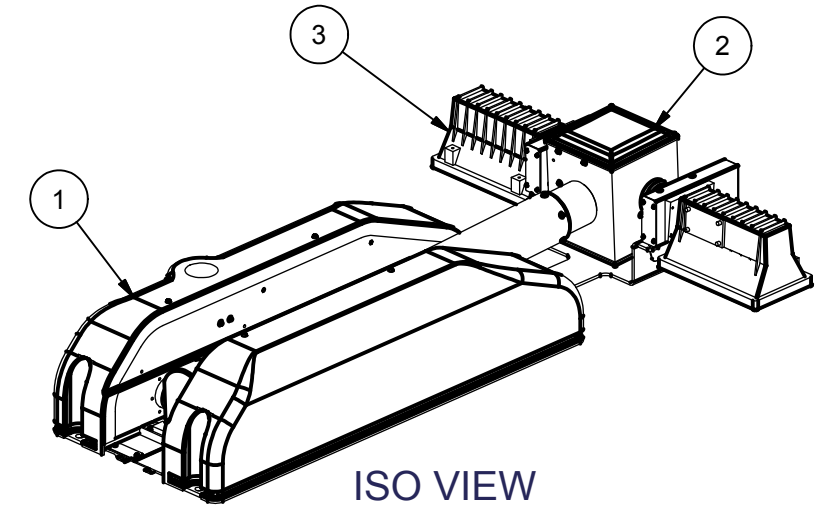
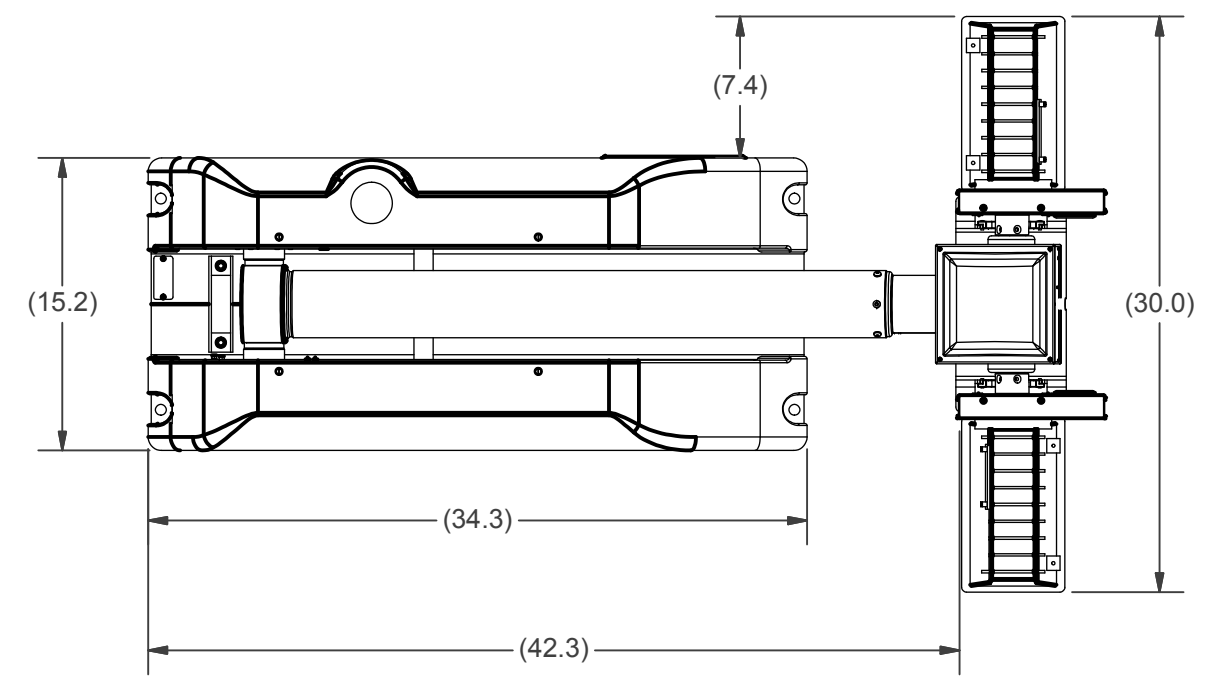


REVISION HISTORY				
ECN	REV	DESCRIPTION	DATE	APPROVED
13760	00	INITIAL RELEASE	9/14/2017	RCC



BOM			
ITEM	QTY	PART NUMBER	DESCRIPTION
1	1	5351401	NSC BASE ASSY 1.0M CHF/SCT CLR
2	1	4548301	NSC RCP, LIGHTS ONLY
3	1	4596003	KIT, LIGHT MAG. 1500W (2)X750 110V
4	1	4558902	NSC LABEL KIT (NOT SHOWN)
5	1	WD-46276	WIRING DIAGRAM
6	1	TP-4602001	NS CHIEF 1.8/2.3 OPERATOR'S MANUAL (NOT SHOWN)

- NOTE:
- 1 APPLY RTV #739 OR EQUAL TO ALL OPEN HOLES.
 - 2 SEE WIRING DIAGRAM WD-46276 FOR ALL UNITS.
 - 3 SET LIGHT BARS HOME POSITION PARALLEL TO BASE PLATE WHEN STOWED.

APPROX. WT:82.9 lbmass

THIRD ANGLE PROJECTION



UNLESS OTHERWISE SPECIFIED
DIMENSIONS ARE IN INCHES.

TOLERANCES ON DECIMALS ANGLES
 0 = ± 0.030 ± 1/2°
 00 = ± 0.010
 000 = ± 0.005
 FRACTIONAL ± 1/64"

1. ALL INSIDE EDGES TO HAVE
.005" TO .035" FILLETS.
 2. ALL OUTSIDE EDGES TO HAVE
.005" TO .015" CHAMFER OR RADIUS.
 125√ ON ALL MACHINED SURFACES

PROPRIETARY AND CONFIDENTIAL

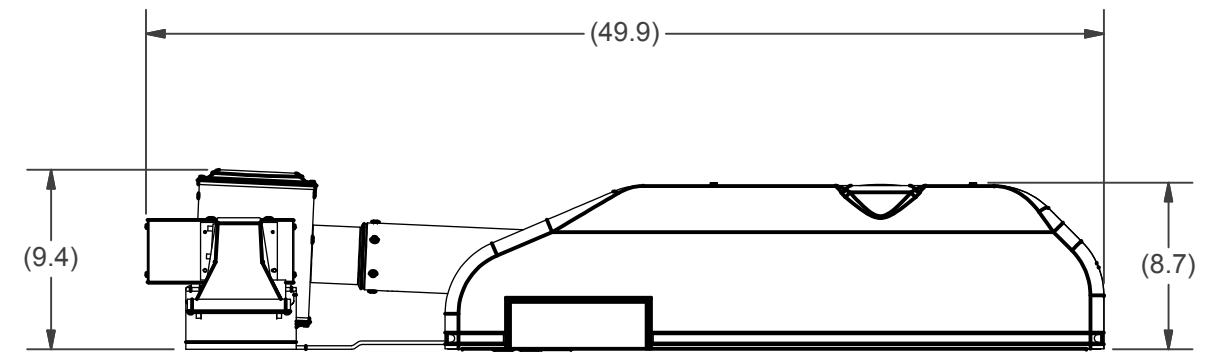
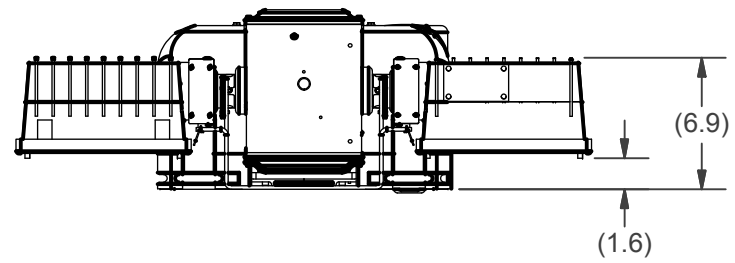
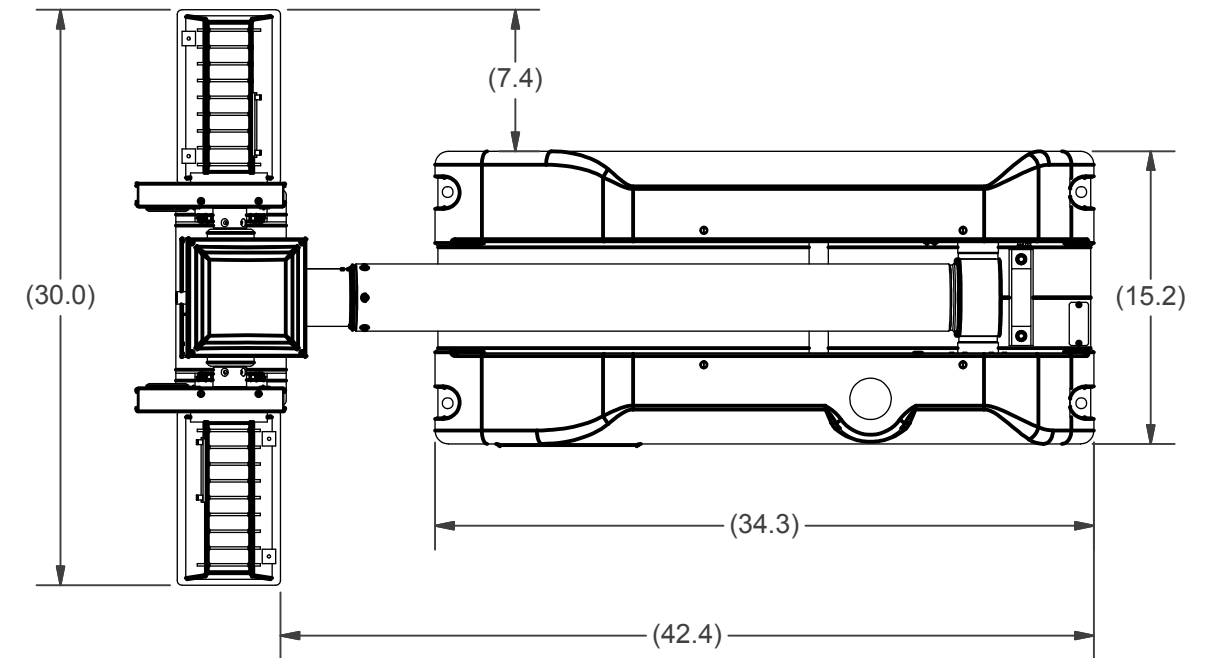
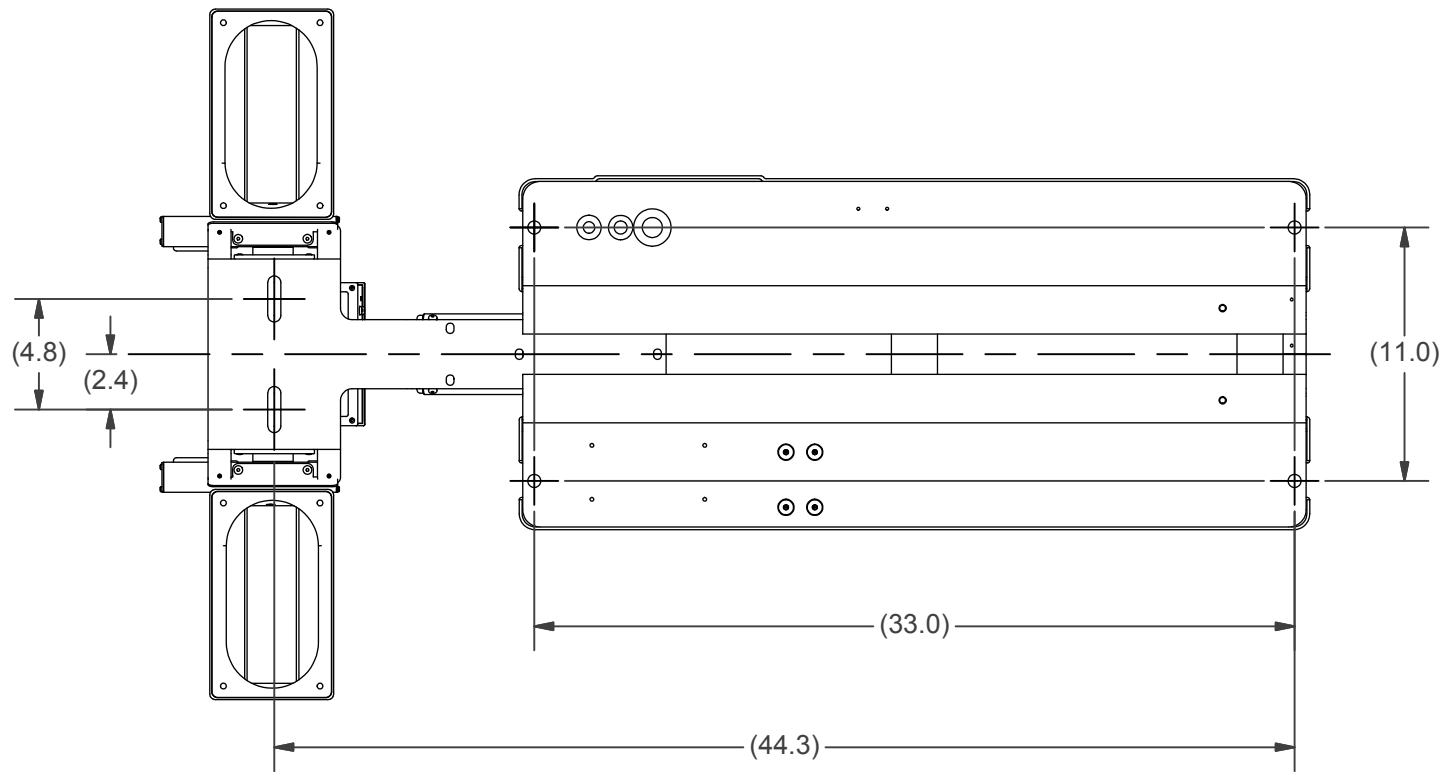
THE INFORMATION CONTAINED IN THIS DRAWING IS THE SOLE PROPERTY OF THE WILL-BURT COMPANY ANY REPRODUCTION IN PART OR WHOLE WITHOUT THE WRITTEN PERMISSION OF THE WILL-BURT COMPANY IS PROHIBITED.

WILL-BURT AN EMPLOYEE OWNED COMPANY
ORRVILLE, OH

TITLE
**NCS 1.0 CHF/SCT 1500W
2X750W 120VAC MAG WHT**

APPROVALS	DATE
DRAWN RCC	9/14/2017
CHECKED	

SIZE	DWG NO	REV
B	720351280	00
PN: 720351280		SHEET 1 OF 2



APPROX. WT:82.9 lbmass

THIRD ANGLE PROJECTION



**UNLESS OTHERWISE SPECIFIED
DIMENSIONS ARE IN INCHES.**
TOLERANCES ON DECIMALS ANGLES
0 = ± 0.030 ± 1/2°
.00 = ± 0.010
.000 = ± 0.005
FRACTIONAL ± 1/64"
1. ALL INSIDE EDGES TO HAVE
.005" TO .035" FILLETS.
2. ALL OUTSIDE EDGES TO HAVE
.005" TO .015" CHAMFER OR RADIUS.
125√ ON ALL MACHINED SURFACES

PROPRIETARY AND CONFIDENTIAL
THE INFORMATION CONTAINED IN THIS
DRAWING IS THE SOLE PROPERTY OF THE
WILL-BURT COMPANY ANY
REPRODUCTION IN PART OR WHOLE
WITHOUT THE WRITTEN PERMISSION OF
THE WILL-BURT COMPANY IS PROHIBITED.

WB AN EMPLOYEE OWNED COMPANY
WILL-BURT ORRVILLE, OH

TITLE
**NCS 1.0 CHF/SCT 1500W
2X750W 120VAC MAG WHT**

APPROVALS	DATE
DRAWN RCC	9/14/2017
CHECKED	

SIZE	DWG NO	REV
B	720351280	00
PN: 720351280		SHEET 2 OF 2