



Trailer Skid Elevation System OPTIMUS



Trailer Skid Elevation System **OPTIMUS**

INTRODUCING THE

OPTIMUS TRAILER SKID ELEVATION SYSTEM

by Will-Burt

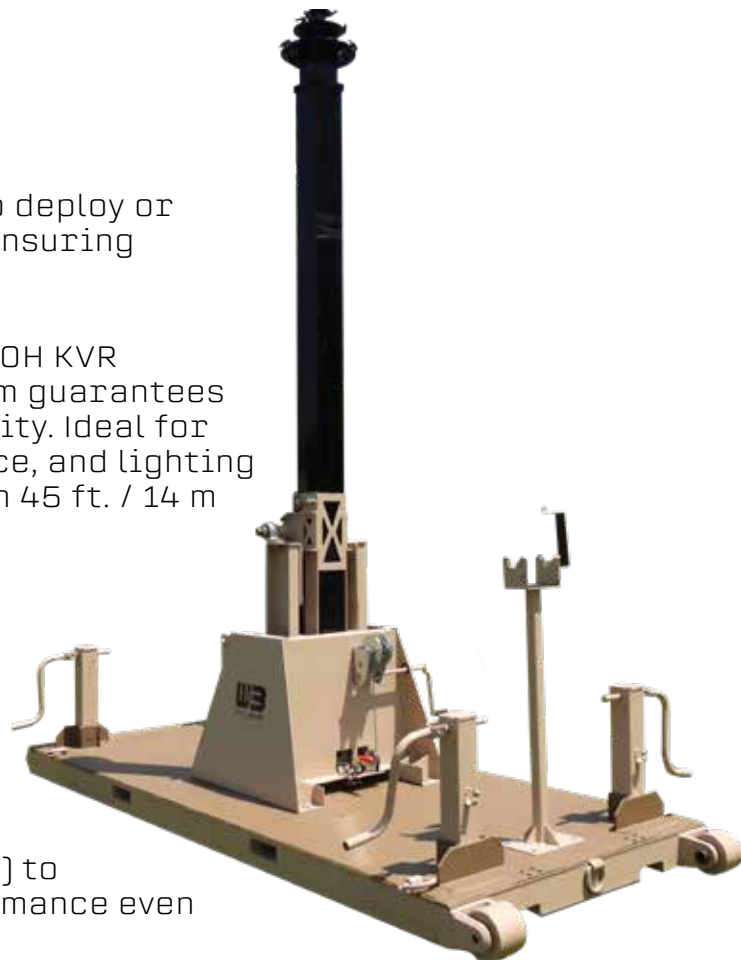
Elevate your operations with the **Optimus Trailer Skid Elevation System!**

A cost-effective and versatile solution designed to deploy elevated sensors across multiple sites. With the ability to utilize a single Optimus trailer for multiple skids, you benefit from reduced equipment needs and lower maintenance costs, ultimately saving you time and money.



Key Features

- Power-Free Deployment
 - The Optimus system requires no power to deploy or retrieve the skid or elevate the sensor, ensuring simplicity and efficiency.
- Rugged GEROH KVR Telescopic Mast on tilt
 - Featuring the lightweight yet robust GEROH KVR cable-driven telescopic mast, this system guarantees superior stability, reliability, and longevity. Ideal for telecommunications, sensors, surveillance, and lighting applications. Guy capable and available in 45 ft. / 14 m and 52 ft. / 16 m heights.
- Precision Engineering
 - The mast's precision-engineered profiles ensure accurate positioning, while the two strong internal cables, protected from environmental elements, provide positive retraction through ice and dirt.
- Extreme Temperature Performance
 - The mast operates seamlessly in temperatures ranging from -25°F [-32°C] to $+111^{\circ}\text{F}$ [$+44^{\circ}\text{C}$], delivering reliable performance even in harsh conditions.



Trailer Skid Elevation System

OPTIMUS

DEPLOY AN OPTIMUS SKID IN 3 EASY STEPS



1 Tow to Location



2 Deploy Skid



3 Elevate Mast

Trailer Skid Elevation System OPTIMUS

Specifications

GEROH KVR Telesopic Mast with Tilt	170-14 KVR 6	170-16 KVR 6
Extended Height AGL [ft. / m]	48.0 / 14.6	54.5 / 16.6
Stowed Vertical Height AGL [ft. / m]	13.3 / 4.0	14.7 / 4.4
Stowed Horizontal Height AGL [ft. / m]	6.9 / 2.0	6.9 / 2.0
Payload Capacity [lb. / kg]	88 / 40	88 / 40
Number of Sections	6	6

GEROH KVR masts are available with guy systems for extra stability
 Payload sail area may affect payload capacity - contact factory for more information.



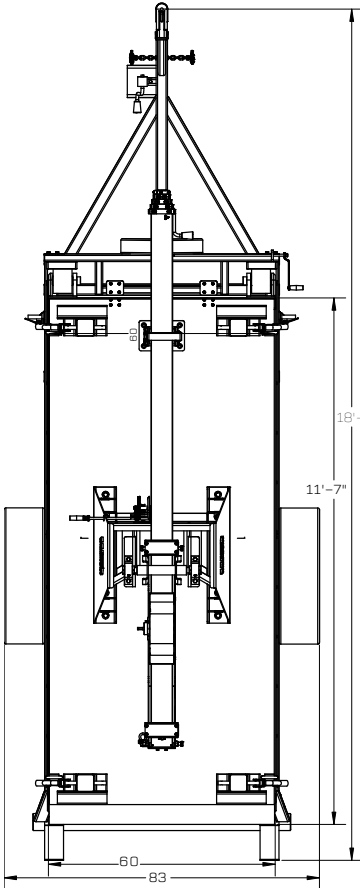
Trailer Skid Elevation System **OPTIMUS**

POWER FREE DEPLOYMENT SAVES TIME AND MONEY

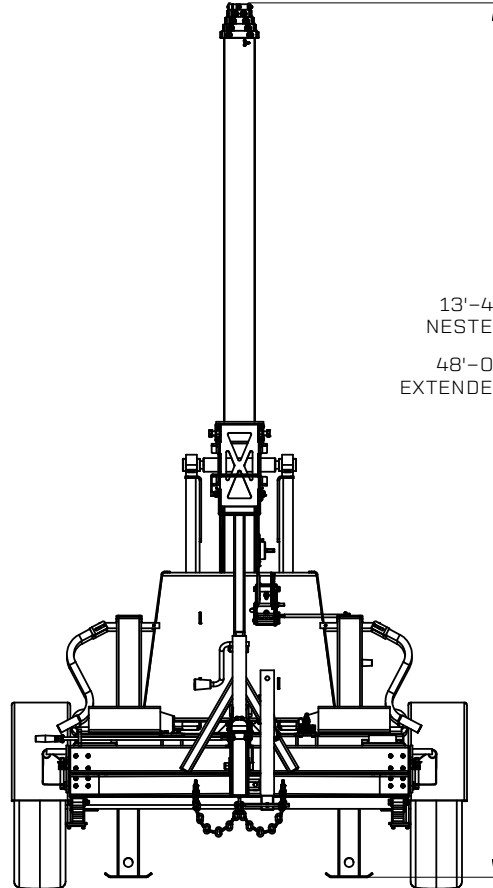


Trailer Skid Elevation System OPTIMUS

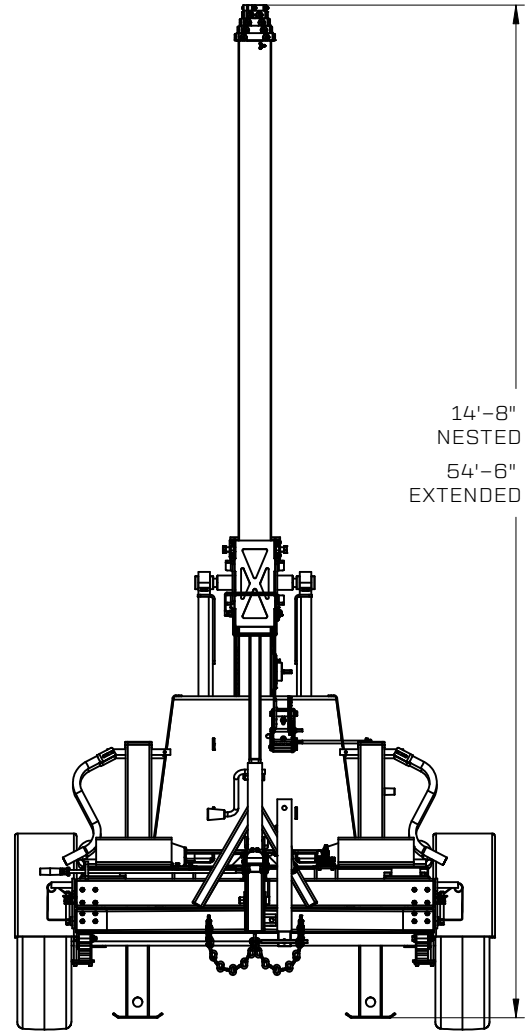
Dimensions



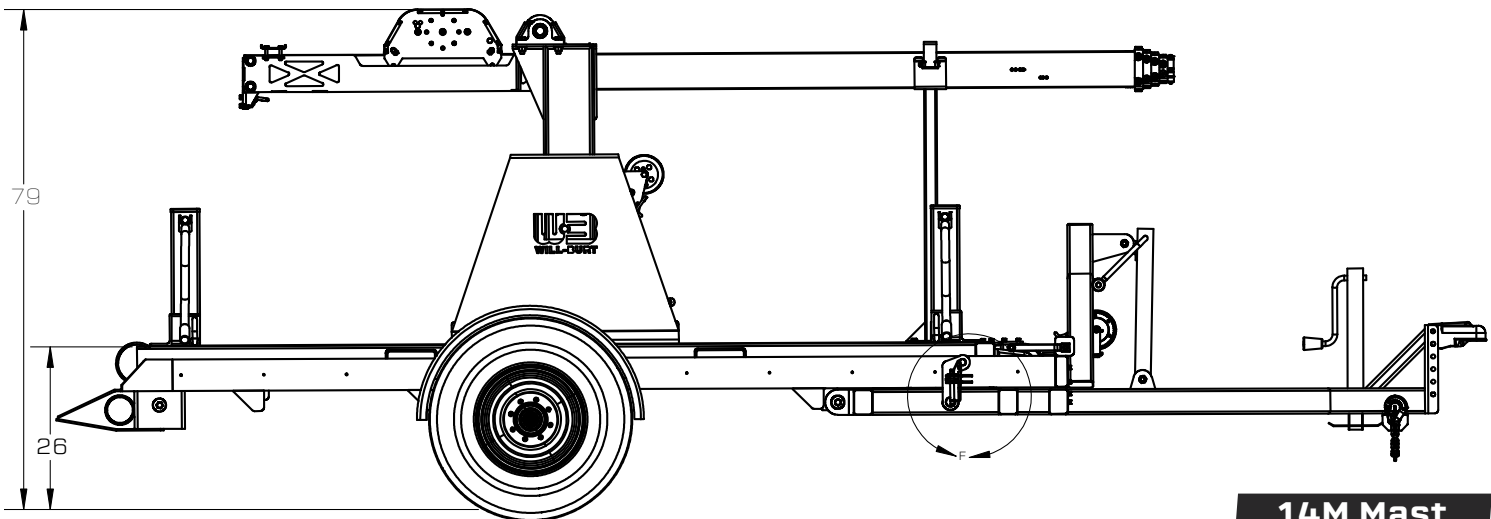
14M Mast



14M Mast



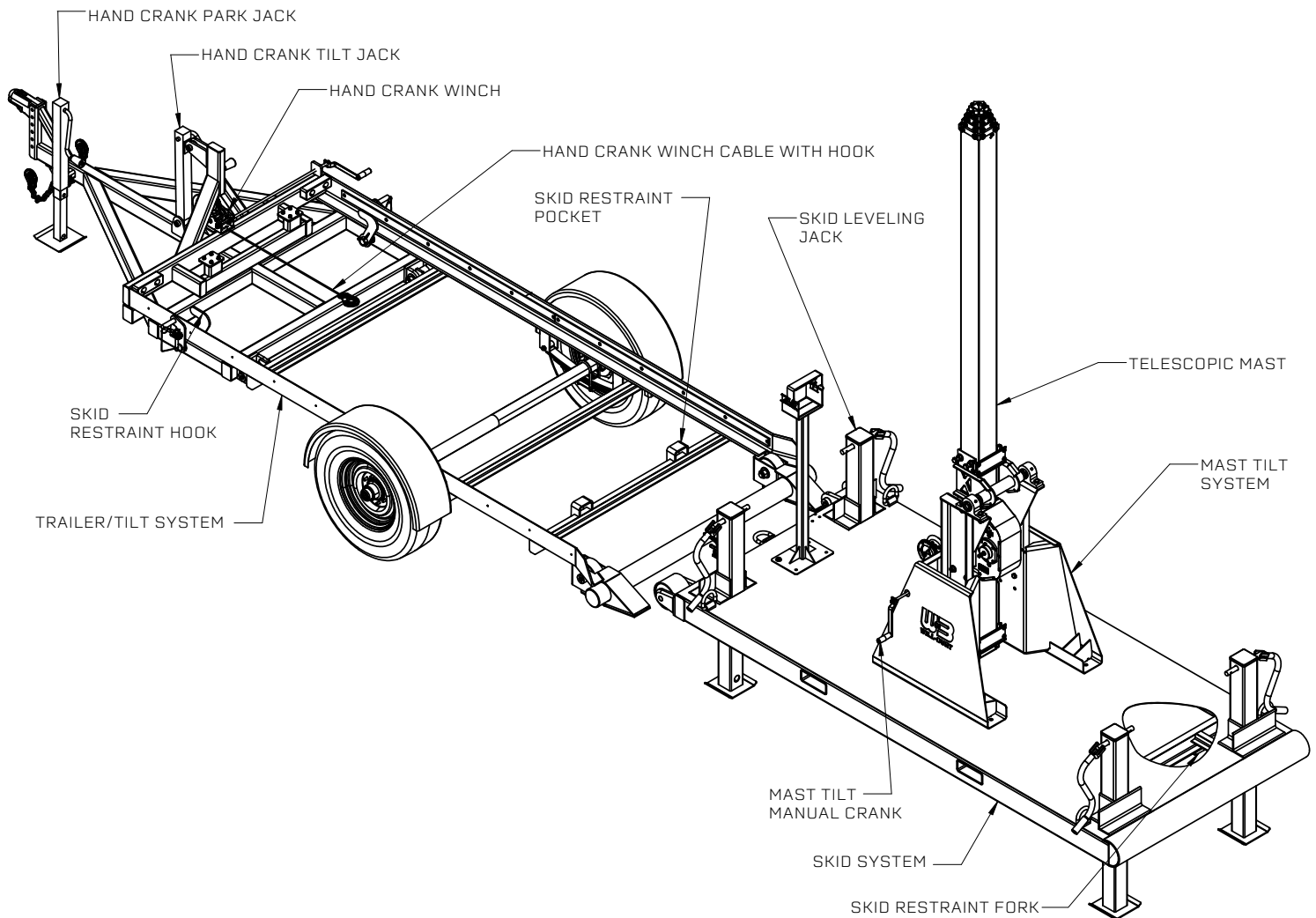
16M Mast



14M Mast

Trailer Skid Elevation System OPTIMUS

Dimensions



Key Features

- Painted steel trailer and skid
- Trailer GVWR: 6,000 lb. / 2,721 kg
- Trailer Capacity: 2,200 lb. / 997 kg
- 2 $\frac{5}{16}$ " ball hitch with hitch jack
- Easy to operate trailer / skid locking system
- Skid leveling jacks
- Skid fork pockets

CONTACT YOUR SALES REPRESENTATIVE TODAY



Contact Us
Complete a Contact Form

WILL-BURT NORTH AMERICA
WORLD HEADQUARTERS

401 Collins Boulevard, Orrville, OH 44667 USA
Telephone: +1 330 682 7015
Mast Customer Service: +1 330 684 4000
Fax: +1 330 684 1190
Email: info@willburt.com

WILL-BURT INTEGRATION
ALUMA TOWER | ITS

7750 9th Street SW
Vero Beach, FL 32968 USA
Telephone: +1 772 567 3423 | +1 800 850 8535
Fax: +1 772 567 3432
Aluma Tower Email: info@alumatower.com
ITS Email: programs@itstowers.com

WILL-BURT
GERMANY

Fischergasse 25
D-91344 Waischenfeld, Germany
Telephone: +49 9202 180
Fax: +49 9202 1811
Email: info@willburt.com

WILL-BURT
UNITED KINGDOM

Unit 5b, Station Approach, Four Marks,
Alton Hampshire, GU34 5HN, United Kingdom
Telephone: +44 (0) 1403 265532
Fax: +44 (0) 1403 259072
Email: info@willburt.com

WILL-BURT ASIA
SINGAPORE SALES OFFICE

1 Fullerton Road, #02-01
One Fullerton, Singapore 049213
Telephone: +65 6832 5689
Fax: +65 6722 0664
Email: info@willburt.com

CLARK MASTS
A WILL-BURT COMPANY

18-20 Ringwood Road, Binstead,
Isle of Wight, PO33 3PA, England
Telephone: +44 (0) 1983 563691/567090
Fax: +44 (0) 1983 566643/811157
E-mail: sales@clarkmasts.com

The Will-Burt Company, headquartered in Orrville, Ohio, USA, is the world's premier manufacturer of mobile telescoping masts, towers and pan and tilt positioners. We offer virtually every mobile payload elevation and integration solution for defense, government, first responders, cellular and mobile, broadcast, energy production and other markets. Will-Burt also offers contract manufacturing, metal fabrication, powder-coating, and rapid prototyping services. Will-Burt is an international company with offices and manufacturing in the USA, England, and Germany along with offices in Singapore. All Will-Burt Company manufacturing locations are backed by a certified ISO 9001:2015 Quality Management System. Incorporated in 1918, Will-Burt is 100% employee-owned and is classified as a small business.

*Disclaimer: Dimensions and weights are for reference only and are subject to change.
Please contact Will-Burt for current engineering specifications.*



Will-Burt Terms and Conditions of Sale:
<https://www.willburt.com/support/service/will-burt-terms-conditions-of-sale/>

January, 2026
The Will-Burt Company
ISO 9001:2015
INNOVATION ELEVATED®