

# 6 LED Double Stack Mini Brow

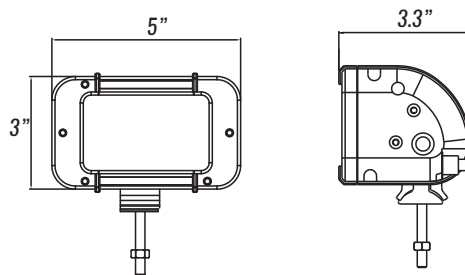
## 5" Low Profile Scene Light

### ABOUT THE MINI BROW LIGHT

The FireTech Double Stack Mini Brow Light is an extruded LED work light designed for the industrial and emergency response marketplace. The Mini Brow series is a single circuit fixture with multiple optic choices. 10 degree "Spot" optics are optimized for long distance projection. 60 degree Flood optics work great on the rear and for general purpose illumination. The FireTech Combination Optic pattern uses 1/3 spot, 2/3 flood optics and gives you a hybrid beam pattern without sacrificing optic efficiency. The Double Stack Mini Brow fixtures are the ideal solution when you are restricted on space but want to maximize light output and are backed by the industry's only LIFETIME Warranty

#### Key Features:

- 5w LEDs with precision acrylic optics
- All Aluminum Extrusion
- Multiple Mounting Options (pedestal and end cap)



#### FT-MB-2.3 SPECS

RAW LUMENS	3,168
EFFECTIVE LUMENS	2,217.60
WATTAGE	30W
AMPERAGE	2.5A @ 12V DC
INPUT VOLTAGE	9-32V DC



#### Pedestal Mounting Feet

Ships included with fixture

#### End Cap Mounting Bracket

Optional accessory mounting kit  
FT-MBKIT-PX\*

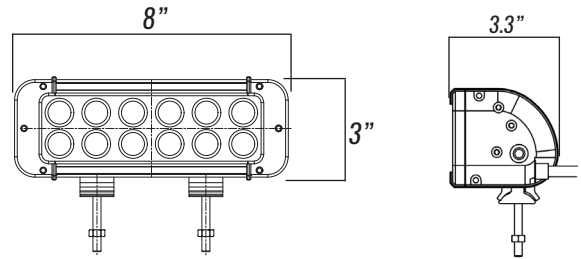
Model #	Description	Raw Lumens	Effective Lumens	Wattage	Amperage @ 12v DC	Beam Pattern	Length	# of Mounting Feet
FT-MB-2.3-S-B	6 LED Double stack Mini-Brow. 4.7" length. 10 degree spot optic configuration. Black housing.	3,168	2,217.60	30W	2.5A	Spot	5"	1
FT-MB-2.3-S-W	6 LED Double stack Mini-Brow. 4.7" length. 10 degree spot optic configuration. White housing.	3,168	2,217.60	30W	2.5A	Spot	5"	1
FT-MB-2.3-F-B	6 LED Double stack Mini-Brow. 4.7" length. 60 degree flood optic configuration. Black housing.	3,168	2,217.60	30W	2.5A	Flood	5"	1
FT-MB-2.3-F-W	6 LED Double stack Mini-Brow. 4.7" length. 60 degree flood optic configuration. White housing.	3,168	2,217.60	30W	2.5A	Flood	5"	1
FT-MB-2.3-FT-B	6 LED Double stack Mini-Brow. 4.7" length. Combination 10 and 60 degree FireTech optic configuration. Black housing.	3,168	2,217.60	30W	2.5A	Combo	5"	1
FT-MB-2.3-FT-W	6 LED Double stack Mini-Brow. 4.7" length. Combination 10 and 60 degree FireTech optic configuration. White housing.	3,168	2,217.60	30W	2.5A	Combo	5"	1

### ABOUT THE MINI BROW LIGHT

The FireTech Double Stack Mini Brow Light is an extruded LED work light designed for the industrial and emergency response marketplace. The Mini Brow series is a single circuit fixture with multiple optic choices. 10 degree "Spot" optics are optimized for long distance projection. 60 degree Flood optics work great on the rear and for general purpose illumination. The FireTech Combination Optic pattern uses 1/3 spot, 2/3 flood optics and gives you a hybrid beam pattern without sacrificing optic efficiency. The Double Stack Mini Brow fixtures are the ideal solution when you are restricted on space but want to maximize light output and are backed by the industry's only LIFETIME Warranty

#### Key Features:

- 5w LEDs with precision acrylic optics
- All Aluminum Extrusion
- Multiple Mounting Options (pedestal and end cap)



#### Pedestal Mounting Feet

Ships included with fixture

#### End Cap Mounting Bracket

Optional accessory mounting kit  
FT-MBKIT-PX-\*

#### FT-MB-2.6 SPECS

RAW LUMENS	6,336
EFFECTIVE LUMENS	4,435.2
WATTAGE	60W
AMPERAGE	5A @ 12V DC
INPUT VOLTAGE	9-32V DC

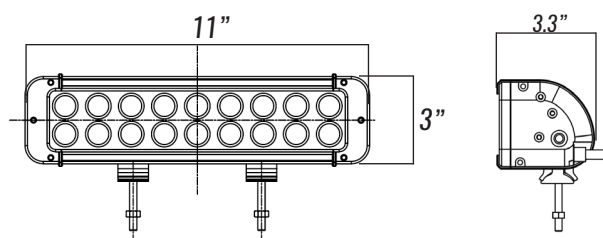
Model #	Description	Raw Lumens	Effective Lumens	Wattage	Amperage @ 12v DC	Beam Pattern	Length	# of Mounting Feet
FT-MB-2.6-S-B	12 LED Double stack Mini-Brow. 8" length. 10 degree spot optic configuration. Black housing.	6,336	4,435.20	60W	5A	Spot	8"	2
FT-MB-2.6-S-W	12 LED Double stack Mini-Brow. 8" length.. 10 degree spot optic configuration. White housing.	6,336	4,435.20	60W	5A	Spot	8"	2
FT-MB-2.6-F-B	12 LED Double stack Mini-Brow. 8" length.. 60 degree flood optic configuration. Black housing.	6,336	4,435.20	60W	5A	Flood	8"	2
FT-MB-2.6-F-W	12 LED Double stack Mini-Brow. 8" length. 60 degree flood optic configuration. White housing.	6,336	4,435.20	60W	5A	Flood	8"	2
FT-MB-2.6-FT-B	12 LED Double stack Mini-Brow. 8" length. Combination 10 and 60 degree flood optic configuration. Black housing.	6,336	4,435.20	60W	5A	Combo	8"	2
FT-MB-2.6-FT-W	12 LED Double stack Mini-Brow. 8" length. Combination 10 and 60 degree FireTech optic configuration. White housing.	6,336	4,435.20	60W	5A	Combo	8"	2

### ABOUT THE MINI BROW LIGHT

The FireTech Double Stack Mini Brow Light is an extruded LED work light designed for the industrial and emergency response marketplace. The Mini Brow series is a single circuit fixture with multiple optic choices. 10 degree "Spot" optics are optimized for long distance projection. 60 degree Flood optics work great on the rear and for general purpose illumination. The FireTech Combination Optic pattern uses 1/3 spot, 2/3 flood optics and gives you a hybrid beam pattern without sacrificing optic efficiency. The Double Stack Mini Brow fixtures are the ideal solution when you are restricted on space but want to maximize light output and are backed by the industry's only LIFETIME Warranty

#### Key Features:

- 5w LEDs with precision acrylic optics
- All Aluminum Extrusion
- Multiple Mounting Options (pedestal and end cap)



#### Pedestal Mounting Feet

Ships included with fixture

#### End Cap Mounting Bracket

Optional accessory mounting kit  
FT-MBKIT-PX\*

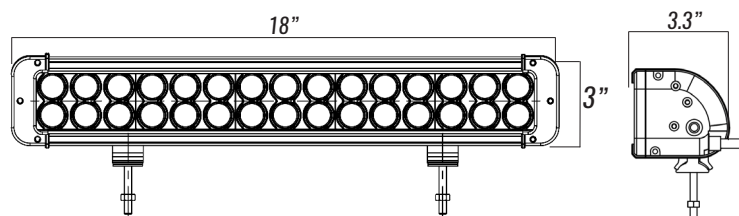
#### FT-MB-2.9 SPECS

RAW LUMENS	9,504
EFFECTIVE LUMENS	6,652.80
WATTAGE	90W
AMPERAGE	7.5A @ 12V DC
INPUT VOLTAGE	9-32V DC

Model #	Description	Raw Lumens	Effective Lumens	Wattage	Amperage @ 12v DC	Beam Pattern	Length	# of Mounting Feet
FT-MB-2.9-S-B	18 LED double stack mini brow. 11" length. 10 degree spot optic configuration. Black housing.	9,504	6,652.80	90W	7.5A	Spot	11"	2
FT-MB-2.9-S-W	18 LED double stack mini brow. 11" length. 10 degree spot optic configuration. White housing.	9,504	6,652.80	90W	7.5A	Spot	11"	2
FT-MB-2.9-F-B	18 LED double stack mini brow. 11" length. 60 degree flood optic configuration. Black housing.	9,504	6,652.80	90W	7.5A	Flood	11"	2
FT-MB-2.9-F-W	18 LED double stack mini brow. 11" length. 60 degree flood optic configuration. White housing.	9,504	6,652.80	90W	7.5A	Flood	11"	2
FT-MB-2.9-FT-B	18 LED double stack mini brow. 11" length. Combination 10 and 60 degree FireTech optic configuration. Black housing.	9,504	6,652.80	90W	7.5A	Combo	11"	2
FT-MB-2.9-FT-W	18 LED double stack mini brow. 11" length. Combination 10 and 60 degree FireTech optic configuration. White housing.	9,504	6,652.80	90W	7.5A	Combo	11"	2

### ABOUT THE MINI BROW LIGHT

The FireTech Double Stack Mini Brow Light is an extruded LED work light designed for the industrial and emergency response marketplace. The Mini Brow series is a single circuit fixture with multiple optic choices. 10 degree "Spot" optics are optimized for long distance projection. 60 degree Flood optics work great on the rear and for general purpose illumination. The FireTech Combination Optic pattern uses 1/3 spot, 2/3 flood optics and gives you a hybrid beam pattern without sacrificing optic efficiency. The Double Stack Mini Brow fixtures are the ideal solution when you are restricted on space but want to maximize light output and are backed by the industry's only LIFETIME Warranty



### Key Features:

- 5w LEDs with precision acrylic optics
- All Aluminum Extrusion
- Multiple Mounting Options (pedestal and end cap)



### Pedestal Mounting Feet

Ships included with fixture

### End Cap Mounting Bracket

Optional accessory mounting kit  
FT-MBKIT-PX-\*

### FT-MB-2.15 SPECS

RAW LUMENS	15,840
EFFECTIVE LUMENS	11,088
WATTAGE	150W
AMPERAGE	12.5A @ 12VDC
INPUT VOLTAGE	9-32V DC

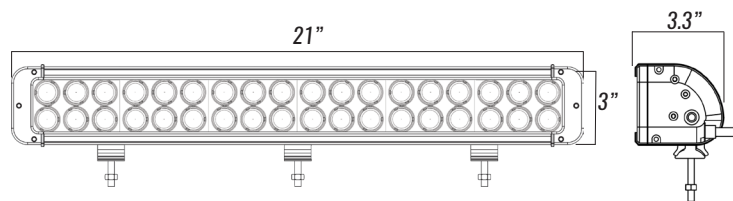
Model #	Description	Raw Lumens	Effective Lumens	Wattage	Amperage @ 12v DC	Beam Pattern	Length	# of Mounting Feet
FT-MB-2.15-S-B	30 LED double stack mini brow. 17.5" length. 10 degree spot optic configuration. Black housing.	15,840	11,088	150W	12.5A	Spot	18"	2
FT-MB-2.15-S-W	30 LED double stack mini brow. 17.5" length. 10 degree spot optic configuration. White housing.	15,840	11,088	150W	12.5A	Spot	18"	2
FT-MB-2.15-F-B	30 LED double stack mini brow. 17.5" length. 60 degree flood optic configuration. Black housing.	15,840	11,088	150W	12.5A	Flood	18"	2
FT-MB-2.15-F-W	30 LED double stack mini brow. 17.5" length. 60 degree flood optic configuration. White housing.	15,840	11,088	150W	12.5A	Flood	18"	2
FT-MB-2.15-FT-B	30 LED double stack mini brow. 17.5" length. Combination 10 and 60 degree FireTech optic configuration. Black housing.	15,840	11,088	150W	12.5A	Combo	18"	2
FT-MB-2.15-FT-W	30 LED double stack mini brow. 17.5" length. Combination 10 and 60 degree FireTech optic configuration. White housing.	15,840	11,088	150W	12.5A	Combo	18"	2

### ABOUT THE MINI BROW LIGHT

The FireTech Double Stack Mini Brow Light is an extruded LED work light designed for the industrial and emergency response marketplace. The Mini Brow series is a single circuit fixture with multiple optic choices. 10 degree "Spot" optics are optimized for long distance projection. 60 degree Flood optics work great on the rear and for general purpose illumination. The FireTech Combination Optic pattern uses 1/3 spot, 2/3 flood optics and gives you a hybrid beam pattern without sacrificing optic efficiency. The Double Stack Mini Brow fixtures are the ideal solution when you are restricted on space but want to maximize light output and are backed by the industry's only LIFETIME Warranty

#### Key Features:

- 5w LEDs with precision acrylic optics
- All Aluminum Extrusion
- Multiple Mounting Options (pedestal and end cap)



#### Pedestal Mounting Feet

Ships included with fixture

#### End Cap Mounting Bracket

Optional accessory mounting kit  
FT-MBKIT-PX-\*

#### FT-MB-2.18 SPECS

RAW LUMENS	19,008
EFFECTIVE LUMENS	13,361.6
WATTAGE	180W
AMPERAGE	15A @ 12V DC
INPUT VOLTAGE	9-32V DC

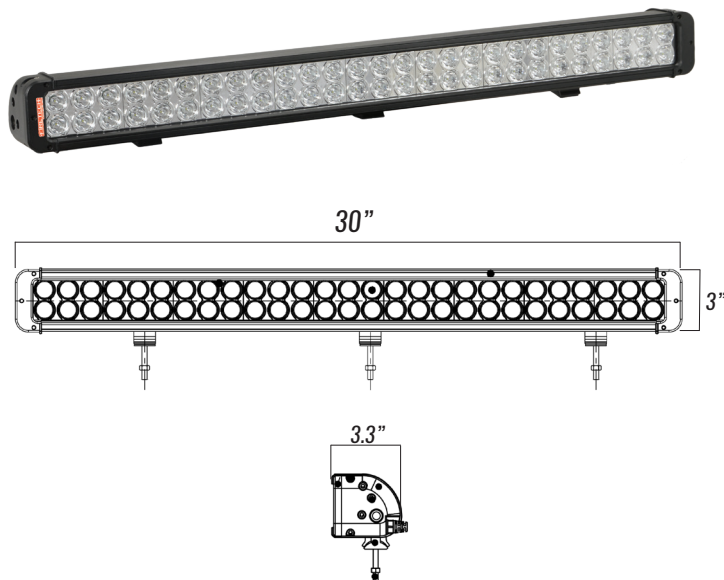
Model #	Description	Raw Lumens	Effective Lumens	Wattage	Amperage @ 12v DC	Beam Pattern	Length	# of Mounting Feet
FT-MB-2.18-S-B	36 LED double stack mini brow. 21" length. 10 degree spot optic configuration. Black housing.	19,008	13,361.60	180W	15A	Spot	21"	3
FT-MB-2.18-S-W	36 LED double stack mini brow. 21" length. 10 degree spot optic configuration. White housing.	19,008	13,361.60	180W	15A	Spot	21"	3
FT-MB-2.18-F-B	36 LED double stack mini brow. 21" length. 60 degree flood optic configuration. Black housing.	19,008	13,361.60	180W	15A	Flood	21"	3
FT-MB-2.18-F-W	36 LED double stack mini brow. 21" length. 60 degree flood optic configuration. White housing.	19,008	13,361.60	180W	15A	Flood	21"	3
FT-MB-2.18-FT-B	36 LED double stack mini brow. 21" length. Combination 10 and 60 degree FireTech optic configuration. Black housing.	19,008	13,361.60	180W	15A	Combo	21"	3
FT-MB-2.18-FT-W	36 LED double stack mini brow. 21" length. Combination 10 and 60 degree FireTech optic configuration. White housing.	19,008	13,361.60	180W	15A	Combo	21"	3

### ABOUT THE MINI BROW LIGHT

The FireTech Double Stack Mini Brow Light is an extruded LED work light designed for the industrial and emergency response marketplace. The Mini Brow series is a single circuit fixture with multiple optic choices. 10 degree "Spot" optics are optimized for long distance projection. 60 degree Flood optics work great on the rear and for general purpose illumination. The FireTech Combination Optic pattern uses 1/3 spot, 2/3 flood optics and gives you a hybrid beam pattern without sacrificing optic efficiency. The Double Stack Mini Brow fixtures are the ideal solution when you are restricted on space but want to maximize light output and are backed by the industry's only LIFETIME Warranty

#### Key Features:

- 5w LEDs with precision acrylic optics
- All Aluminum Extrusion
- Multiple Mounting Options (pedestal and end cap)



#### Pedestal Mounting Feet

Ships included with fixture

#### End Cap Mounting Bracket

Optional accessory mounting kit  
FT-MBKIT-PX\*

#### FT-MB-2.27 SPECS

RAW LUMENS	28,512
EFFECTIVE LUMENS	19,958
WATTAGE	270W
AMPERAGE	22.5A @12V DC
INPUT VOLTAGE	9-32V DC

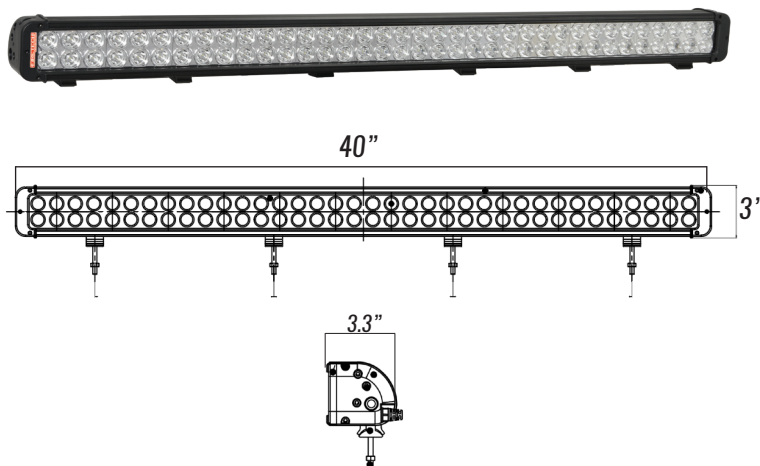
Model #	Description	Raw Lumens	Effective Lumens	Wattage	Amperage @12v DC	Beam Pattern	Length	# of Mounting Feet
FT-MB-2.27-S-B	54 LED double stack mini brow. 30" length. 10 degree spot optic configuration. Black housing.	28,512	19,958	270W	22.5A	Spot	30"	3
FT-MB-2.27-S-W	54 LED double stack mini brow. 30" length. 10 degree spot optic configuration. White housing.	28,512	19,958	270W	22.5A	Spot	30"	3
FT-MB-2.27-F-B	54 LED double stack mini brow. 30" length. 60 degree flood optic configuration. Black housing.	28,512	19,958	270W	22.5A	Flood	30"	3
FT-MB-2.27-F-W	54 LED double stack mini brow. 30" length. 60 degree flood optic configuration. White housing.	28,512	19,958	270W	22.5A	Flood	30"	3
FT-MB-2.27-FT-B	54 LED double stack mini brow. 30" length. Combination 10 and 60 degree FireTech optic configuration. Black housing.	28,512	19,958	270W	22.5A	Combo	30"	3
FT-MB-2.27-FT-W	54 LED double stack mini brow. 30" length. Combination 10 and 60 degree FireTech optic configuration. White housing.	28,512	19,958	270W	22.5A	Combo	30"	3

### ABOUT THE MINI BROW LIGHT

The FireTech Double Stack Mini Brow Light is an extruded LED work light designed for the industrial and emergency response marketplace. The Mini Brow series is a single circuit fixture with multiple optic choices. 10 degree "Spot" optics are optimized for long distance projection. 60 degree Flood optics work great on the rear and for general purpose illumination. The FireTech Combination Optic pattern uses 1/3 spot, 2/3 flood optics and gives you a hybrid beam pattern without sacrificing optic efficiency. The Double Stack Mini Brow fixtures are the ideal solution when you are restricted on space but want to maximize light output and are backed by the industry's only LIFETIME Warranty

#### Key Features:

- 5w LEDs with precision acrylic optics
- All Aluminum Extrusion
- Multiple Mounting Options (pedestal and end cap)



#### Pedestal Mounting Feet

Ships included with fixture

#### End Cap Mounting Bracket

Optional accessory mounting kit  
FT-MBKIT-PX-\*

#### FT-MB-2.36 SPECS

RAW LUMENS	38,016
EFFECTIVE LUMENS	26,611.20
WATTAGE	360W
AMPERAGE	30A@ 12V DC
INPUT VOLTAGE	9-32V DC

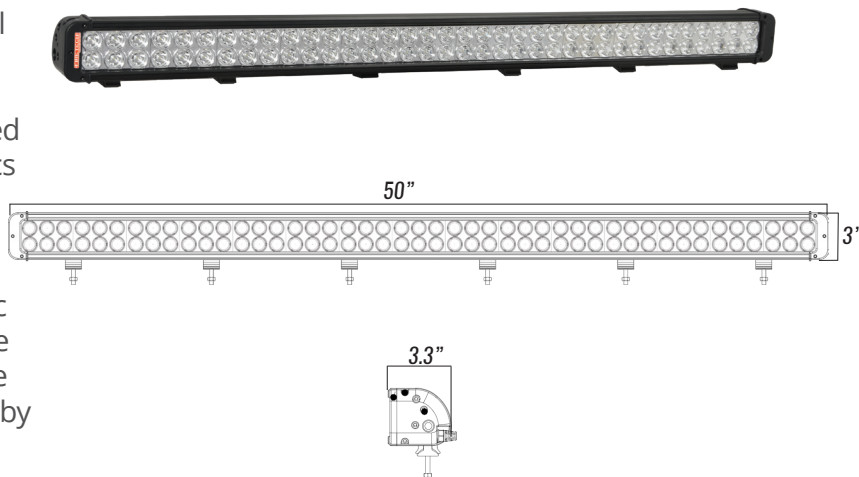
Model #	Description	Raw Lumens	Effective Lumens	Wattage	Amperage @12v DC	Beam Pattern	Length	# of Mounting Feet
FT-MB-2.36-S-B	72 LED double stack mini brow. 40" length. 10 degree spot optic configuration. Black housing.	38,016	26,611.20	360W	30A	Spot	40"	4
FT-MB-2.36-S-W	72 LED double stack mini brow. 40" length. 10 degree spot optic configuration. White housing.	38,016	26,611.20	360W	30A	Spot	40"	4
FT-MB-2.36-F-B	72 LED double stack mini brow. 40" length. 60 degree flood optic configuration. Black housing.	38,016	26,611.20	360W	30A	Flood	40"	4
FT-MB-2.36-F-W	72 LED double stack mini brow. 40" length. 60 degree flood optic configuration. White housing.	38,016	26,611.20	360W	30A	Flood	40"	4
FT-MB-2.36-FT-B	72 LED double stack mini brow. 40" length. Combination 10 and 60 degree FireTech optic configuration. Black housing.	38,016	26,611.20	360W	30A	Combo	40"	4
FT-MB-2.36-FT-W	72 LED double stack mini brow. 40" length. Combination 10 and 60 degree FireTech optic configuration. White housing.	38,016	26,611.20	360W	30A	Combo	40"	4

### ABOUT THE MINI BROW LIGHT

The FireTech Double Stack Mini Brow Light is an extruded LED work light designed for the industrial and emergency response marketplace. The Mini Brow series is a single circuit fixture with multiple optic choices. 10 degree "Spot" optics are optimized for long distance projection. 60 degree Flood optics work great on the rear and for general purpose illumination. The FireTech Combination Optic pattern uses 1/3 spot, 2/3 flood optics and gives you a hybrid beam pattern without sacrificing optic efficiency. The Double Stack Mini Brow fixtures are the ideal solution when you are restricted on space but want to maximize light output and are backed by the industry's only LIFETIME Warranty

#### Key Features:

- 5w LEDs with precision acrylic optics
- All Aluminum Extrusion
- Multiple Mounting Options (pedestal and end cap)



#### Pedestal Mounting Feet

Ships included with fixture

#### End Cap Mounting Bracket

Optional accessory mounting kit  
FT-MBKIT-PX-\*

#### FT-MB-2.45 SPECS

RAW LUMENS	47,520
EFFECTIVE LUMENS	33,264
WATTAGE	450W
AMPERAGE	37.5A @ 12V DC
INPUT VOLTAGE	9-32V DC

Model #	Description	Raw Lumens	Effective Lumens	Wattage	Amperage @ 12v DC	Beam Pattern	Length	# of Mounting Feet
FT-MB-2.45-S-B	90 LED double stack mini brow. 49.5" length. 10 degree spot optic configuration. Black housing.	47,520	33,264	450W	37.5A	Spot	50"	6
FT-MB-2.45-S-W	90 LED double stack mini brow. 49.5" length. 10 degree spot optic configuration. White housing.	47,520	33,264	450W	37.5A	Spot	50"	6
FT-MB-2.45-F-B	90 LED double stack mini brow. 49.5" length. 60 degree flood optic configuration. Black housing.	47,520	33,264	450W	37.5A	Flood	50"	6
FT-MB-2.45-F-W	90 LED double stack mini brow. 49.5" length. 60 degree flood optic configuration. White housing.	47,520	33,264	450W	37.5A	Flood	50"	6
FT-MB-2.45-FT-B	90 LED double stack mini brow. 49.5" length. Combination 10 and 60 degree FireTech optic configuration. Black housing.	47,520	33,264	450W	37.5A	Combo	50"	6
FT-MB-2.45-FT-W	90 LED double stack mini brow. 49.5" length. Combination 10 and 60 degree FireTech optic configuration. White housing.	47,520	33,264	450W	37.5A	Combo	50"	6