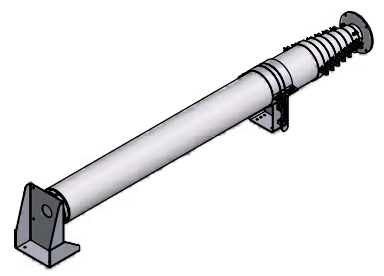
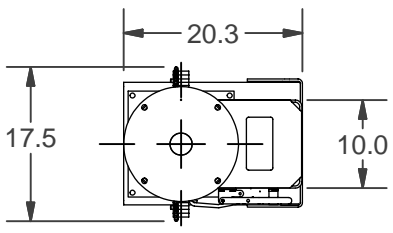
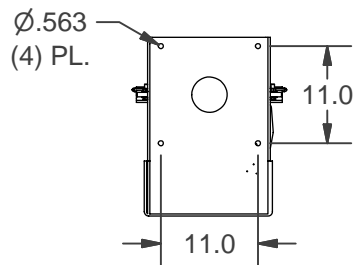
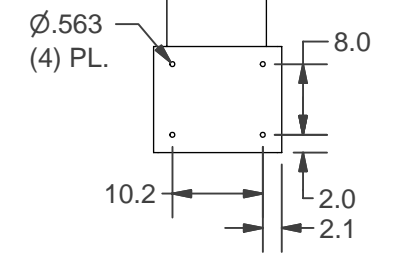
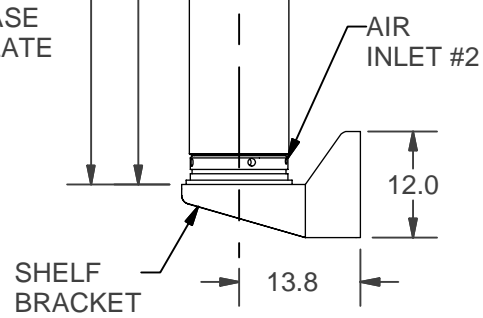
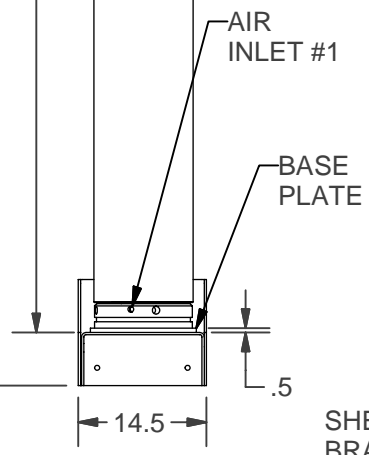
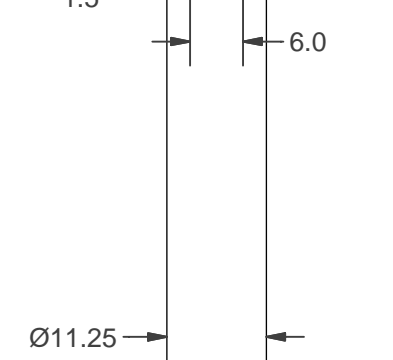
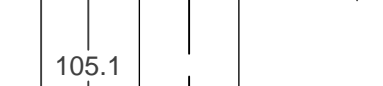
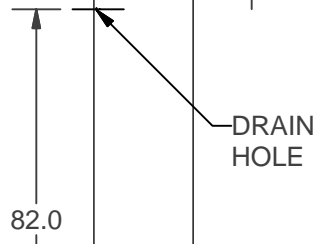
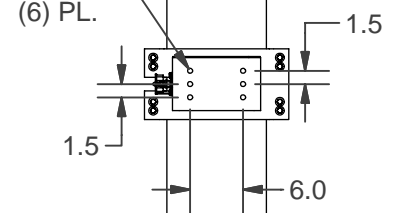
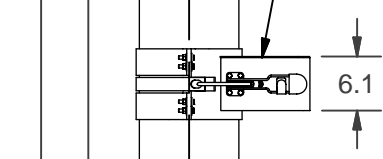
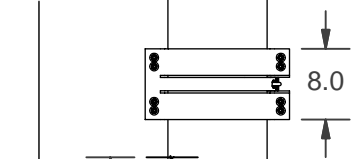
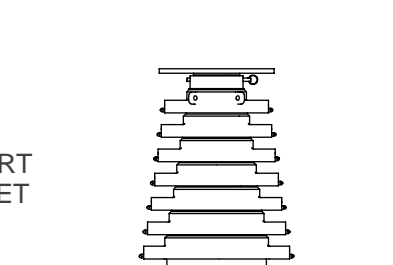
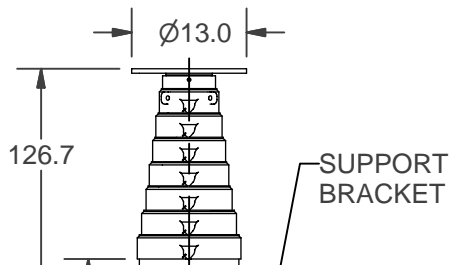
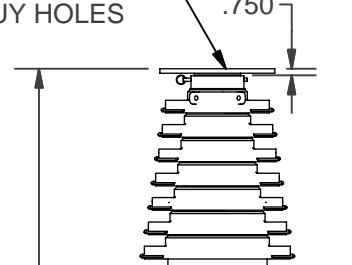


2

1



PLATFORM WITH GUY HOLES



PROPRIETARY AND CONFIDENTIAL
THE INFORMATION CONTAINED IN THIS DRAWING IS THE SOLE PROPERTY OF THE WILL-BURT COMPANY ANY REPRODUCTION IN PART OR WHOLE WITHOUT THE WRITTEN PERMISSION OF THE WILL-BURT COMPANY IS PROHIBITED.

W3 AN EMPLOYEE OWNED COMPANY
WILL-BURT ORRVILLE, OH

UNLESS OTHERWISE SPECIFIED DIMENSIONS ARE IN INCHES

TITLE **PNEUMATIC MAST INSTALLATION DIMENSIONS**

ALL DIMENSIONS ARE REFERENCE THIRD ANGLE PROJECTION

MODEL **10.3-60-668**

AUGUST-07

2

1

