

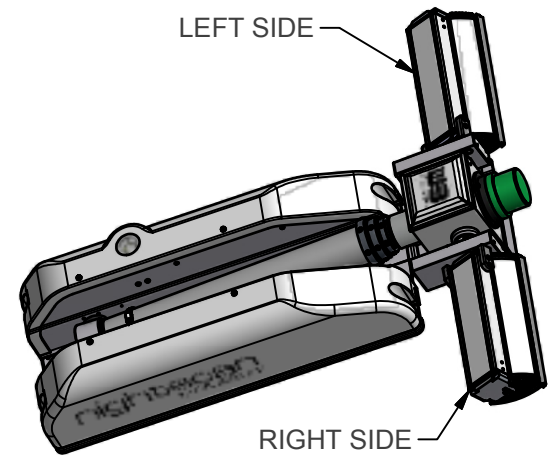
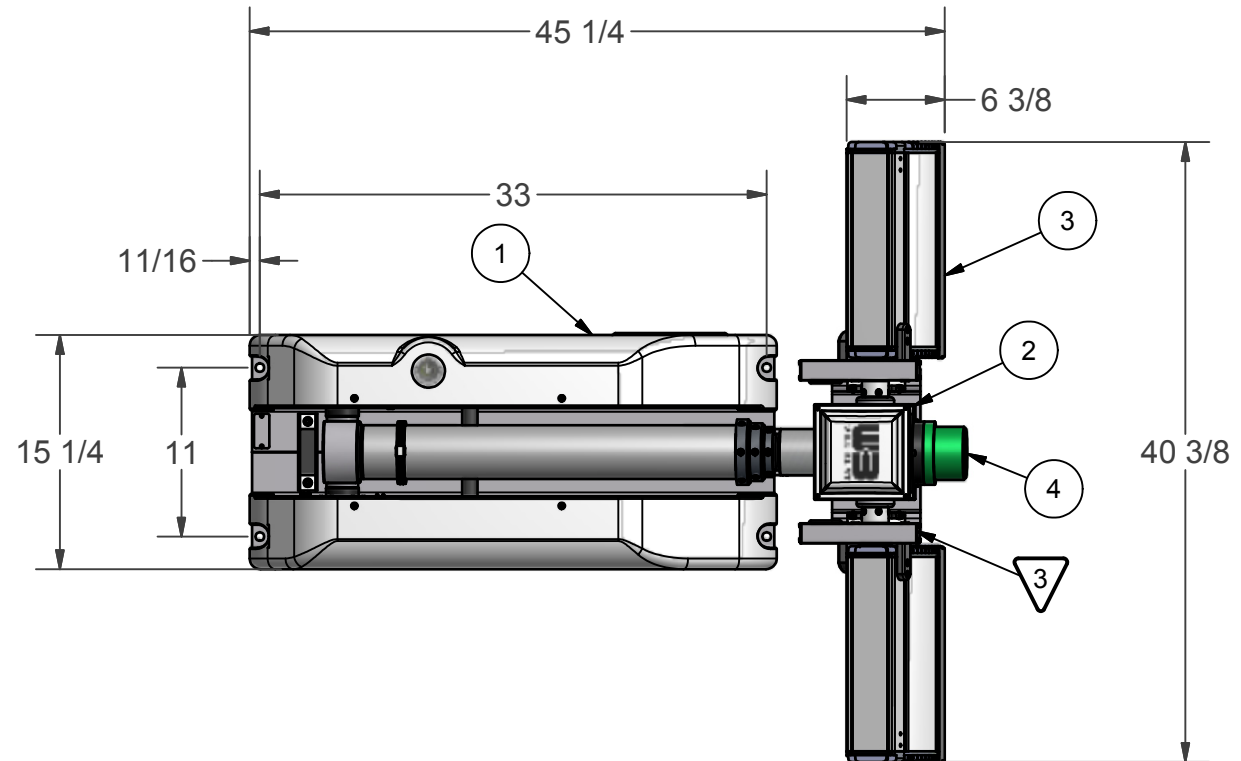
ASSEMBLY NO	ITEM-2 P/N	ITEM-3 P/N	ITEM-4 P/N	DESCRIPTION
720648041	4548301	4573501	NONE	OPT 2 LIGHT, 3000W (2-1500W 220VAC) WHT
720667041	4548301	4573509	NONE	OPT 2 LIGHT, 2000W (2-1000W 220VAC) WHT
720670041	4548301	4573513	NONE	OPT 2 LIGHT, 1800W (2-900W 220VAC) WHT
720648042	4548305	4573501	4481603	NS 1.8-3000-2 OPT 220V W/GRN STRB

REVISION HISTORY				
ECN	REV	DESCRIPTION	DATE	BY/APPR
10272	00	INITIAL RELEASE	8/30/2010	CJM/
10341	A	TP-4602001 was 4022310	12/8/2010	CJM/
10428	B	ADDED DIMENSIONS; ADDED TABULATED BOM	2/10/2011	SMB/
12293	C	Added 720648042 Assembly (RESTRUCTURED BOM)	7/16/2014	RCC
12580	D	CHANGED NOTE TWO TO REFERENCE DRAWING WD-46276	3/31/2015	KWBH

B

A

A



NOTES:

- 1 APPLY RTV #739 OR EQUAL TO ALL OPEN HOLES.
- 2 SEE WIRING DIAGRAM WD-46276 FOR ALL UNITS.
- 3 SET LIGHT BARS HOME POSITION PARALLEL TO BASE PLATE WHEN STOWED.

BOM			
ITEM	QTY	PART NUMBER	DESCRIPTION
1	1	4522003	NSC BASE ASSEMBLY 6.0 WHITE
2	1	SEE TABLE	NSC RCP KIT
3	1	SEE TABLE	LIGHT KIT
4	1	SEE TABLE	STROBE LIGHT KIT
5	1	4558901	NSC LABEL KIT (NOT SHOWN)
6	1	TP-4602001	MANUAL, NS 1.8/2.3, CE, CD VERSION (NOT SHOWN)
7	1	4584001	FILLER, CORRUGATED NSC



UNLESS OTHERWISE SPECIFIED DIMENSIONS ARE IN INCHES.  
 TOLERANCES ON DECIMALS ANGLES  
 0 = ± 0.030 ± 1/2°  
 00 = ± 0.010  
 000 = ± 0.005  
 FRACTIONAL ± 1/64"  
 1. ALL INSIDE EDGES TO HAVE .005" TO .035" FILLETS.  
 2. ALL OUTSIDE EDGES TO HAVE .005" TO .015" CHAMFER OR RADIUS.  
 125° ON ALL MACHINED SURFACES

APPROX. WT: N/A

THIRD ANGLE PROJECTION

**PROPRIETARY AND CONFIDENTIAL**  
 THE INFORMATION CONTAINED IN THIS DRAWING IS THE SOLE PROPERTY OF THE WILL-BURT COMPANY ANY REPRODUCTION IN PART OR WHOLE WITHOUT THE WRITTEN PERMISSION OF THE WILL-BURT COMPANY IS PROHIBITED.

**WILL-BURT** AN EMPLOYEE OWNED COMPANY  
 ORRVILLE, OH

TITLE  
**NS 1.8 2-LIGHT LONG OPTIMUM KIT**

APPROVALS	DATE
DRAWN SMB	2/10/2011
CHECKED	

SIZE	DWG NO	REV
B	720648041	D
PN:	SEE TABLE	SHEET 1 OF 1