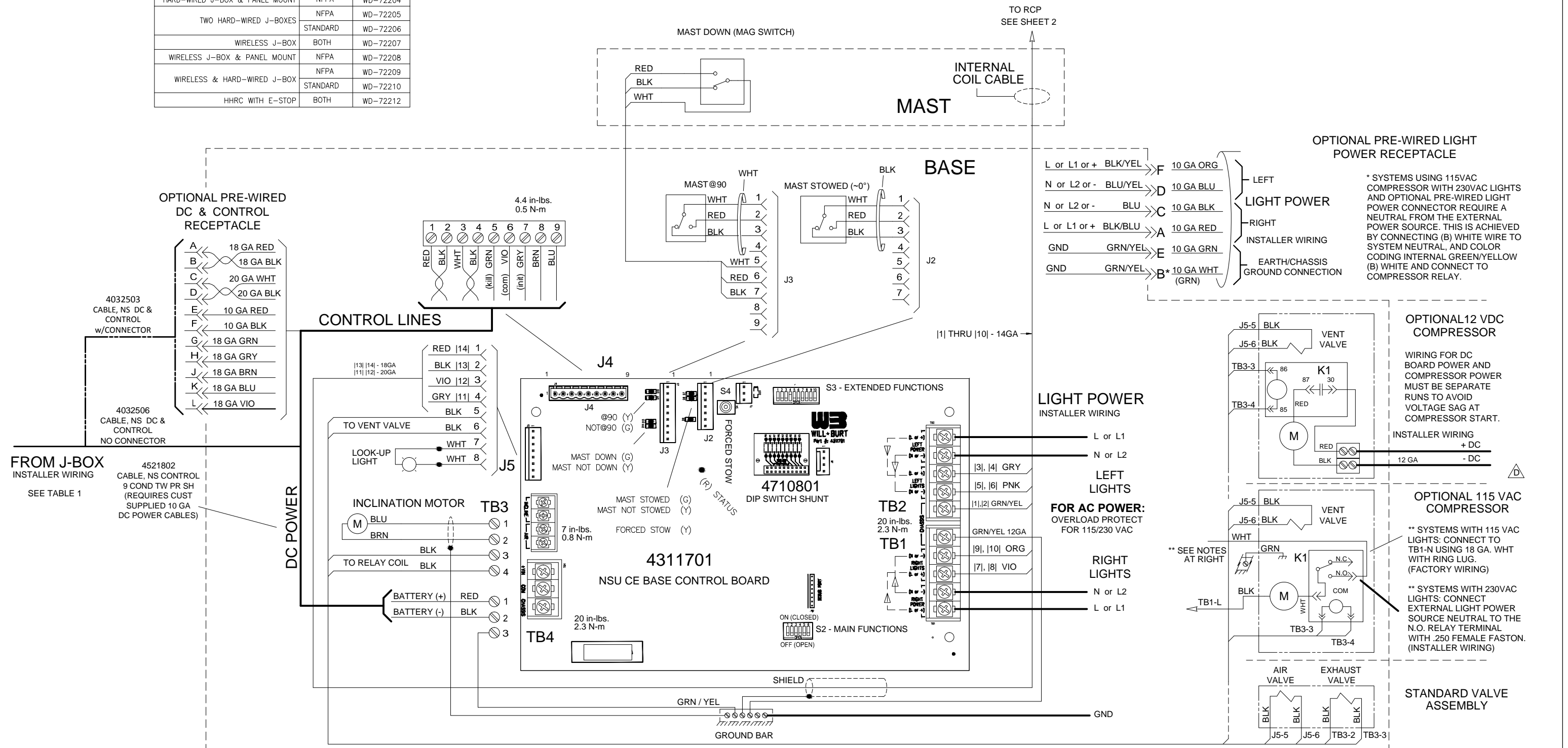


TABLE 1 - CONTROLLER WIRING

APPLICATION	TYPE	DRAWING
SINGLE HARD-WIRED PANEL MOUNT	NFPA	WD-72201
SINGLE HARD-WIRED J-BOX	NFPA	WD-72202
	STANDARD	WD-72203
HARD-WIRED J-BOX & PANEL MOUNT	NFPA	WD-72204
TWO HARD-WIRED J-BOXES	NFPA	WD-72205
	STANDARD	WD-72206
WIRELESS J-BOX	BOTH	WD-72207
WIRELESS J-BOX & PANEL MOUNT	NFPA	WD-72208
WIRELESS & HARD-WIRED J-BOX	NFPA	WD-72209
	STANDARD	WD-72210
HHRC WITH E-STOP	BOTH	WD-72212

REVISIONS				
ECN	REV	DESCRIPTION	DATE	BY/APPVL
11224	C	ADD OPTIONAL RECEPTACLES, COLOR TO WIRES [11]-[14], SINGLE-TILT RCP, UPDATE LIGHT POWER WIRING.	08-28-12	DJB/JMK
11479	D	ADD STANDARD VALVE AND COMPRESSOR DETAILS	02-13-13	DJB/JA



AWG	in-lbs.
14-10 CU	20
12-10 AL	20
(2)14, 12 CU	25
(2)12, 10 AL	25
8	25
6 - 4	35

BASE DIP SWITCH S2: MAIN FUNCTIONS

POS	OFF (OPEN)	ON (CLOSED)
1	J4 8,9 CLOSED WHEN NESTED	J4 8,9 OPEN WHEN NESTED
2	NFPA MODE	STANDARD
3	RCP	NO RCP
4	ROOF MOUNT	VERTICAL
5	UNUSED	UNUSED
6	NORMAL	DO NOT USE

BASE DIP SWITCH S3: EXTENDED FUNCTIONS

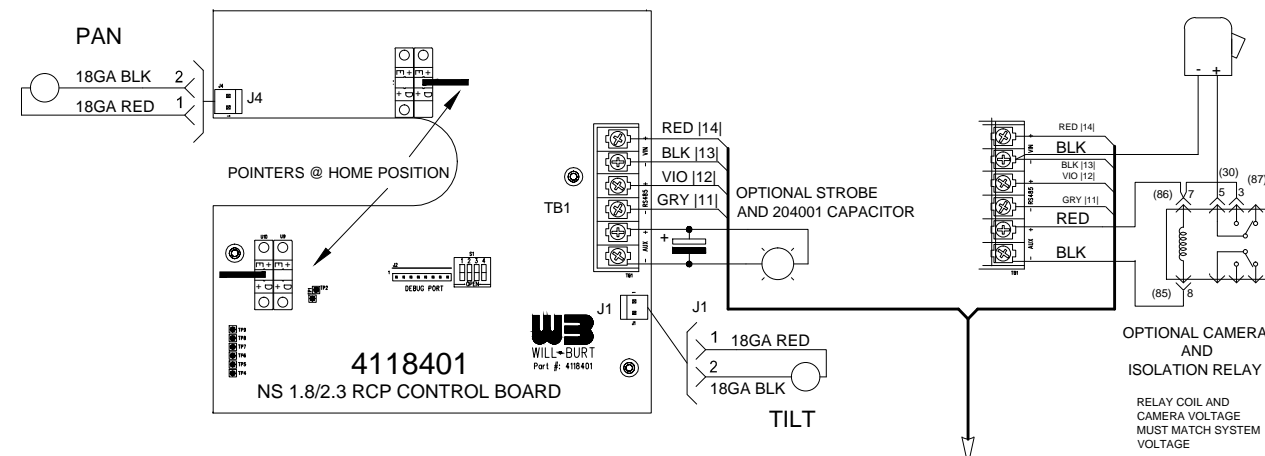
POS	OFF (OPEN)	ON (CLOSED)
1	NO D-TEC	D-TEC PRESENT
2	NO WELL COVER/HATCH	WELL COVER/HATCH PRESENT
3	-	-
4	-	DEFAULT
5-10	-	-

MATERIAL NS Universal.DWG	UNLESS OTHERWISE SPECIFIED DIMENSIONS ARE IN INCHES TOLERANCES ON: DECIMALS ANGLES 0 = ± 1/2" 00 = ± 000 = ±	THIS DOCUMENT CONTAINS PROPRIETARY INFORMATION AND SHALL NOT BE USED OR REPRODUCED OR ITS CONTENTS DISCLOSED IN WHOLE OR IN PART, WITHOUT THE PRIOR WRITTEN CONSENT OF THE WILL-BURT COMPANY.	FOR LOGISTICAL SUPPORT ONLY		SIGNATURE DATE DR.BY DJB 02-12-13 CK.BY JA 02-12-13 APP.BY JA 02-12-13	SIZE DWG. No. B WD-46276
			SCALE NTS			

WILL-BURT AN EMPLOYEE OWNED COMPANY
ORRVILLE, OHIO

NightScan Powerlite roof-mount
WITH 4311701 UNIVERSAL CONTROL
BASE WIRING

REVISIONS				
ECN	REV	DESCRIPTION	DATE	BY/APPVL
11224	C	ADD OPTIONAL RECEPTACLES, COLOR TO WIRES [11]-[14], SINGLE-TILT RCP, UPDATE LIGHT POWER WIRING.	08-28-12	DJB/JMK
11479	D	ADD STANDARD VALVE AND COMPRESSOR DETAILS	02-13-13	DJB/JA



SINGLE-TILT RCP

RCP DIP SWITCH S1

POS	OPEN	CLOSED
1	STOP ON FAULT	STOW ON FAULT
2	RCP	POSITIONER
3	STOW WHILE LOWERING	STOW BEFORE LOWERING
4	UNUSED	UNUSED

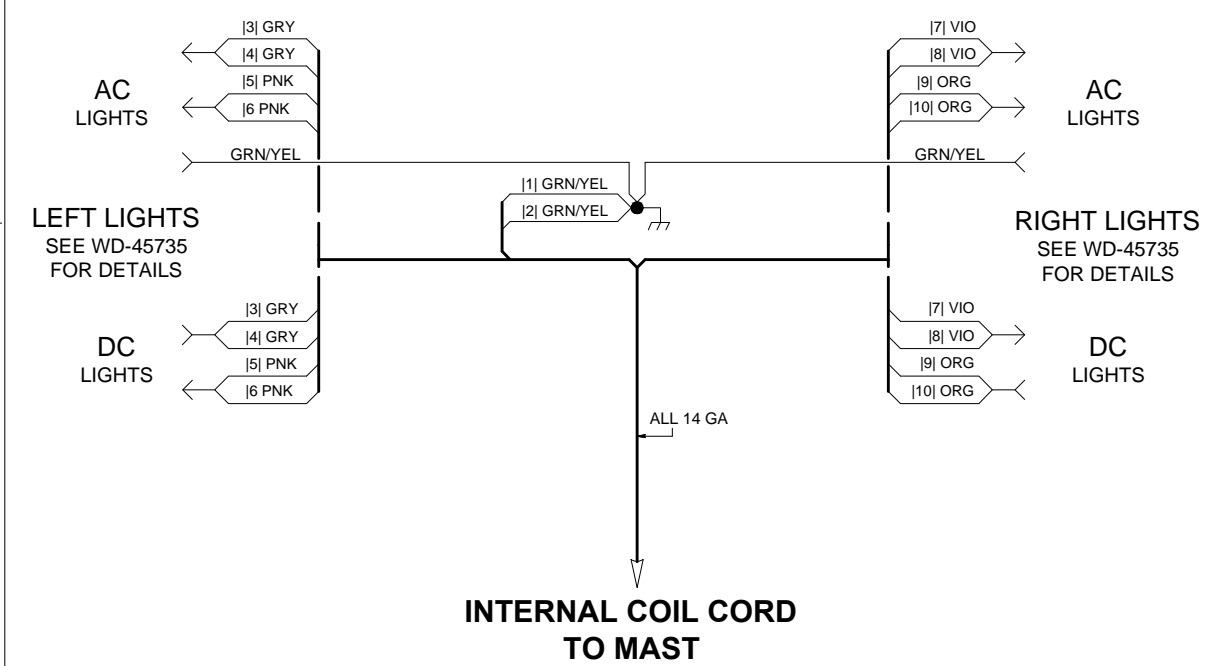
INTERNAL COIL CORD TO MAST

LIGHT POWER WIRING

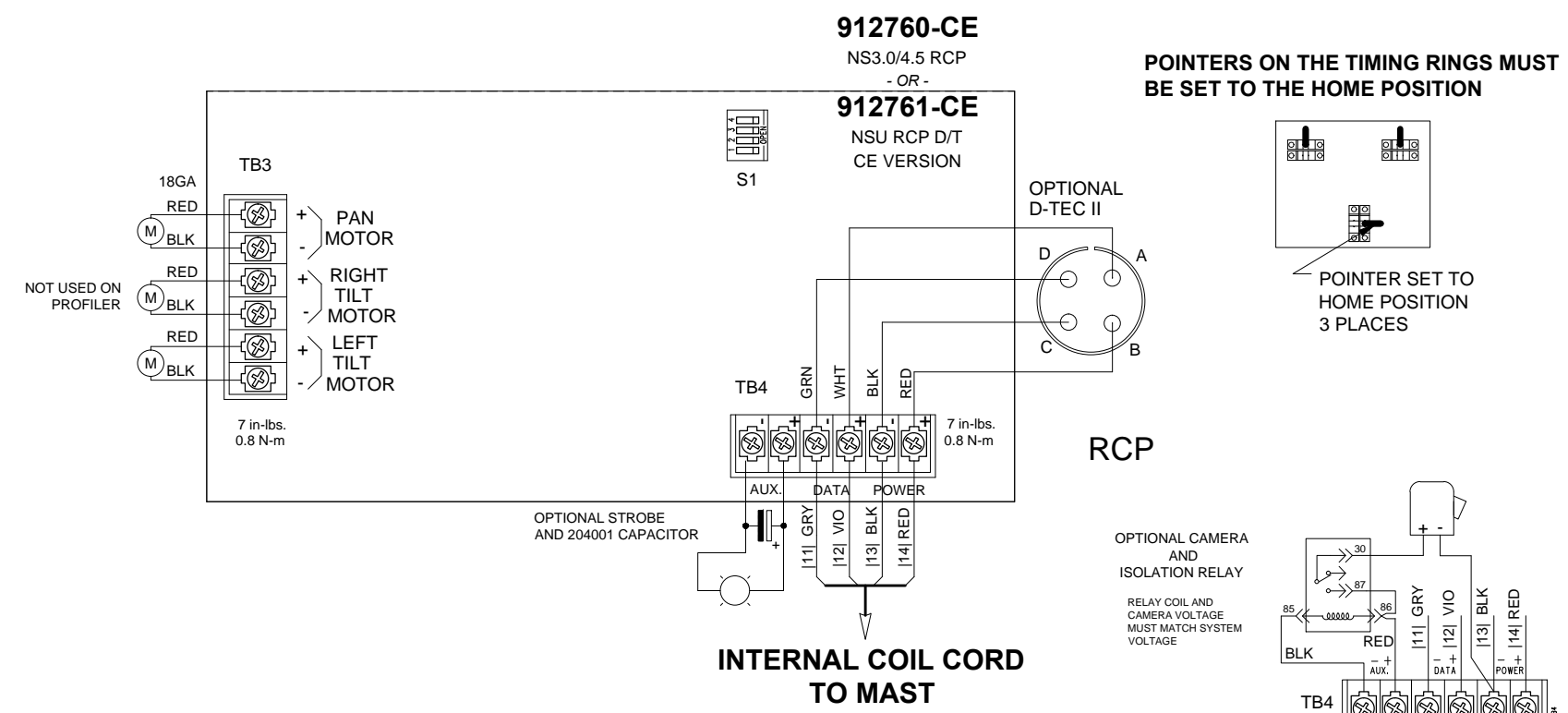
FOR PROFILER:
CONNECT WIRES:
[3] [4] & [7] [8] & SHORT 10GA WIRE FOR L1,
[5] [6] & [9] [10] & SHORT 10GA WIRE FOR L2.

WIRES EXIT THROUGH:
RIGHT SIDE FOR DUAL TILT,
LEFT SIDE FOR SINGLE TILT.

"X" DENOTES WIRE LABEL
COLOR CODE WIRES [5] [6] AND
[9] [10] WHITE IN 110 VAC MODELS



INTERNAL COIL CORD TO MAST



DUAL-TILT RCP

RCP DIP SWITCH S1

POS	OPEN	CLOSED
1	STOP ON FAULT	STOW ON FAULT
2	NOT PROFILER	PROFILER
3	UNUSED	UNUSED
4	UNUSED	UNUSED

MATERIAL NS Universal.DWG	UNLESS OTHERWISE SPECIFIED DIMENSIONS ARE IN INCHES TOLERANCES ON: DECIMALS ANGLES 0 = ± 1/2" 00 = ± 000 = ±	THIS DOCUMENT CONTAINS PROPRIETARY INFORMATION AND SHALL NOT BE USED OR REPRODUCED OR ITS CONTENTS DISCLOSED IN WHOLE OR IN PART, WITHOUT THE PRIOR WRITTEN CONSENT OF THE WILL-BURT COMPANY.	FOR LOGISTICAL SUPPORT ONLY		AN EMPLOYEE OWNED COMPANY ORRVILLE, OHIO NightScan Powerlite roof-mount WITH 4311701 UNIVERSAL CONTROL RCP WIRING	
			SIGNATURE	DATE		SIZE B
FINISH	BREAK ALL SHARP CORNERS 1/25" ON ALL MACHINED SURFACES	DR. BY DJB CK. BY JMK APP. BY			SCALE NTS	SHEET 2 OF 2