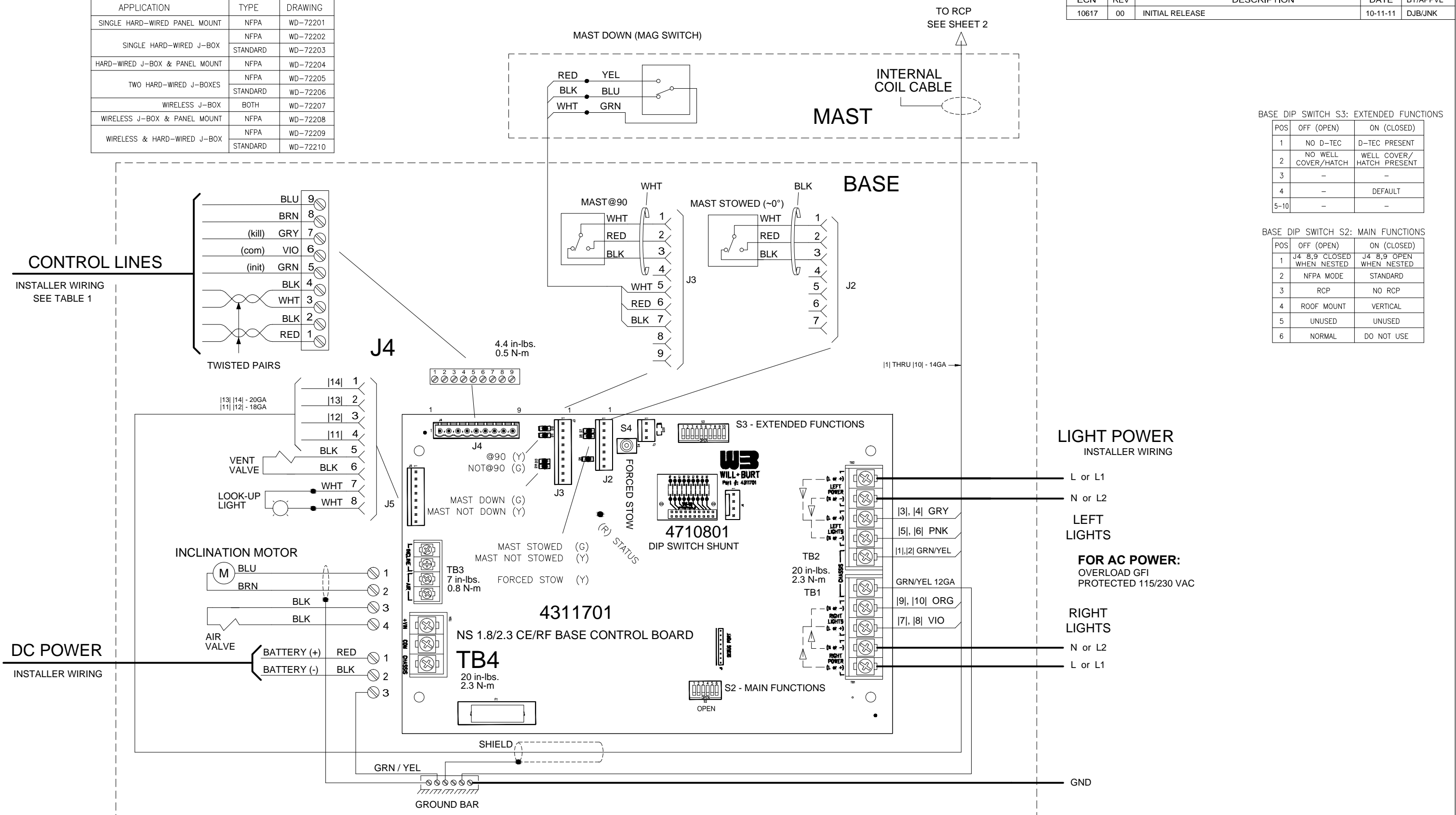


TABLE 1 - CONTROLLER WIRING

| APPLICATION | TYPE | DRAWING |
|--------------------------------|----------|----------|
| SINGLE HARD-WIRED PANEL MOUNT | NFPA | WD-72201 |
| SINGLE HARD-WIRED J-BOX | NFPA | WD-72202 |
| | STANDARD | WD-72203 |
| HARD-WIRED J-BOX & PANEL MOUNT | NFPA | WD-72204 |
| | NFPA | WD-72205 |
| TWO HARD-WIRED J-BOXES | NFPA | WD-72206 |
| | STANDARD | WD-72206 |
| WIRELESS J-BOX | BOTH | WD-72207 |
| WIRELESS J-BOX & PANEL MOUNT | NFPA | WD-72208 |
| WIRELESS & HARD-WIRED J-BOX | NFPA | WD-72209 |
| | STANDARD | WD-72210 |

| REVISIONS | | | | |
|-----------|-----|-----------------|----------|----------|
| ECN | REV | DESCRIPTION | DATE | BY/APPVL |
| 10617 | 00 | INITIAL RELEASE | 10-11-11 | DJB/JNK |



BASE DIP SWITCH S3: EXTENDED FUNCTIONS

| POS | OFF (OPEN) | ON (CLOSED) |
|------|---------------------|--------------------------|
| 1 | NO D-TEC | D-TEC PRESENT |
| 2 | NO WELL COVER/HATCH | WELL COVER/HATCH PRESENT |
| 3 | - | - |
| 4 | - | DEFAULT |
| 5-10 | - | - |

BASE DIP SWITCH S2: MAIN FUNCTIONS

| POS | OFF (OPEN) | ON (CLOSED) |
|-----|---------------------------|-------------------------|
| 1 | J4 8,9 CLOSED WHEN NESTED | J4 8,9 OPEN WHEN NESTED |
| 2 | NFPA MODE | STANDARD |
| 3 | RCP | NO RCP |
| 4 | ROOF MOUNT | VERTICAL |
| 5 | UNUSED | UNUSED |
| 6 | NORMAL | DO NOT USE |

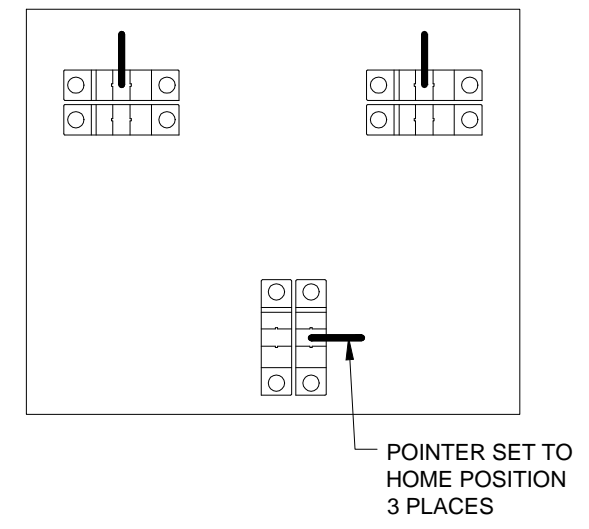
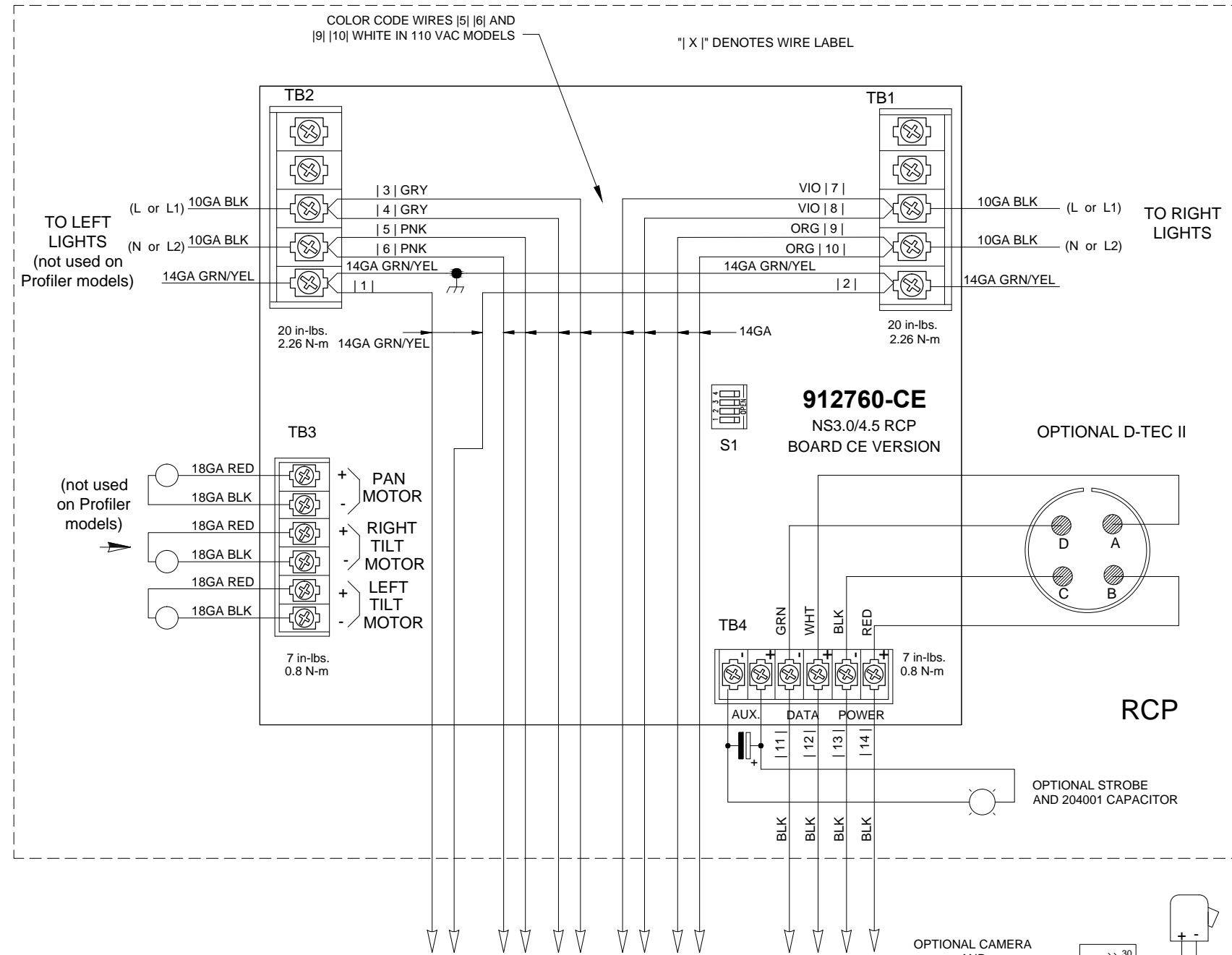
| AWG | in-lbs. |
|--------------|---------|
| 14-10 CU | 20 |
| 12-10 AL | 20 |
| (2)14, 12 CU | 25 |
| (2)12, 10 AL | 25 |
| 8 | 25 |
| 6 - 4 | 35 |

| | | | |
|------------------------------|--|--|--|
| MATERIAL NS Universal.DWG | UNLESS OTHERWISE SPECIFIED DIMENSIONS ARE IN INCHES TOLERANCES ON: DECIMALS ANGLES 0 = ± 1/2" 00 = ± 000 = ± | THIS DOCUMENT CONTAINS PROPRIETARY INFORMATION AND SHALL NOT BE USED OR REPRODUCED OR ITS CONTENTS DISCLOSED IN WHOLE OR IN PART, WITHOUT THE PRIOR WRITTEN CONSENT OF THE WILL-BURT COMPANY. | W3 AN EMPLOYEE OWNED COMPANY WILL-BURT ORRVILLE, OHIO |
| FINISH | BREAK ALL SHARP CORNERS 725/ ON ALL MACHINED SURFACES | FOR LOGISTICAL SUPPORT ONLY SIGNATURE DATE DR. BY DJB - CK. BY JN - APP. BY | DESC. NightScan Powerlite WITH 4311703 UNIVERSAL CONTROL CONTROL WIRING - NO COMPRESSOR SIZE DWG. No. B WD-46276 |
| | | SCALE NTS | SHEET 1 OF 2 |

| REVISIONS | | | | |
|-----------|-----|-----------------|----------|----------|
| ECN | REV | DESCRIPTION | DATE | BY/APPVL |
| 10617 | 00 | INITIAL RELEASE | 10-11-11 | DJB/JNK |

RCP DIP SWITCH S1

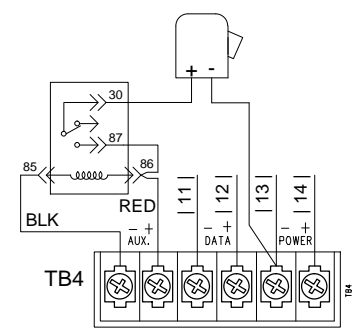
| POS | OPEN | CLOSED |
|-----|---------------|---------------|
| 1 | STOP ON FAULT | STOW ON FAULT |
| 2 | NOT PROFILER | PROFILER |
| 3 | UNUSED | UNUSED |
| 4 | UNUSED | UNUSED |



POINTERS ON THE TIMING RINGS MUST BE SET TO THE HOME POSITION

TO MAST

OPTIONAL CAMERA AND ISOLATION RELAY
RELAY COIL AND CAMERA VOLTAGE MUST MATCH SYSTEM VOLTAGE



| | | | |
|------------------------------|--|--|--|
| MATERIAL NS Universal.DWG | UNLESS OTHERWISE SPECIFIED DIMENSIONS ARE IN INCHES TOLERANCES ON: DECIMALS ANGLES 0 = ± ± 1/2° 00 = ± 000 = ± | THIS DOCUMENT CONTAINS PROPRIETARY INFORMATION AND SHALL NOT BE USED OR REPRODUCED OR ITS CONTENTS DISCLOSED IN WHOLE OR IN PART, WITHOUT THE PRIOR WRITTEN CONSENT OF THE WILL-BURT COMPANY. | AN EMPLOYEE OWNED COMPANY ORRVILLE, OHIO |
| FINISH | BREAK ALL SHARP CORNERS 1/25" ON ALL MACHINED SURFACES | FOR LOGISTICAL SUPPORT ONLY SIGNATURE DATE DR. BY DJB - CK. BY JN - APP. BY | WILL-BURT NEXT ASSY DESC. NightScan Powerlite WITH 4311703 UNIVERSAL CONTROL CONTROL WIRING - NO COMPRESSOR |
| | | SCALE NTS | DWG. No. WD-46276 SHEET 2 OF 2 |