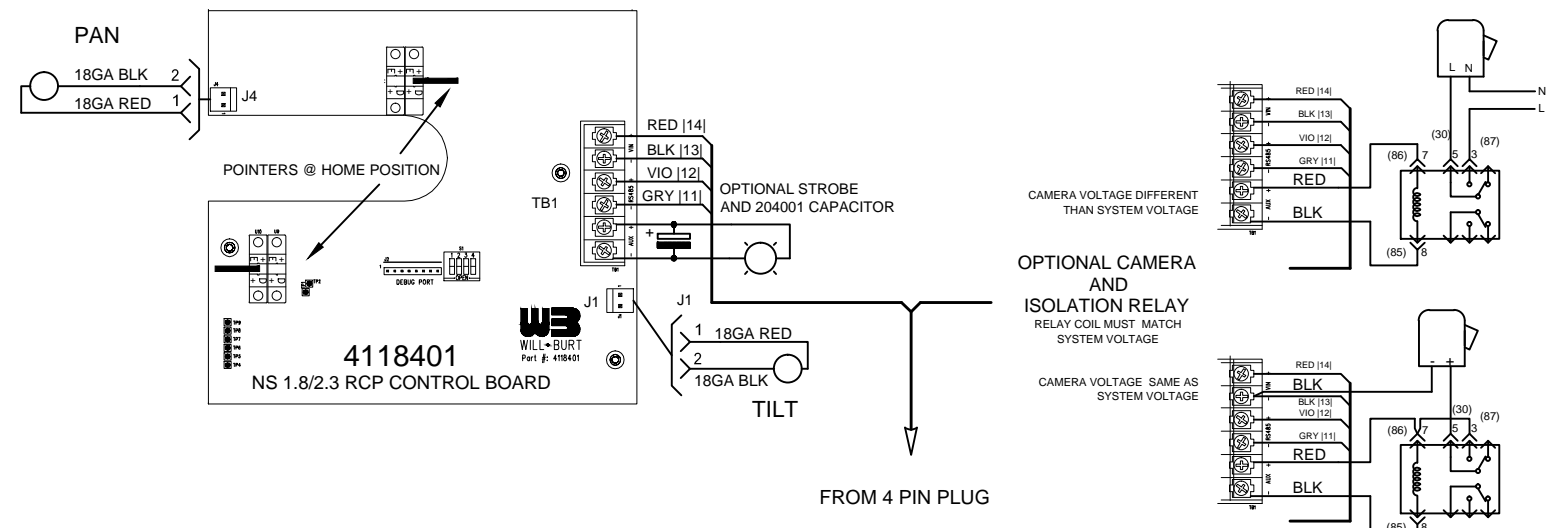


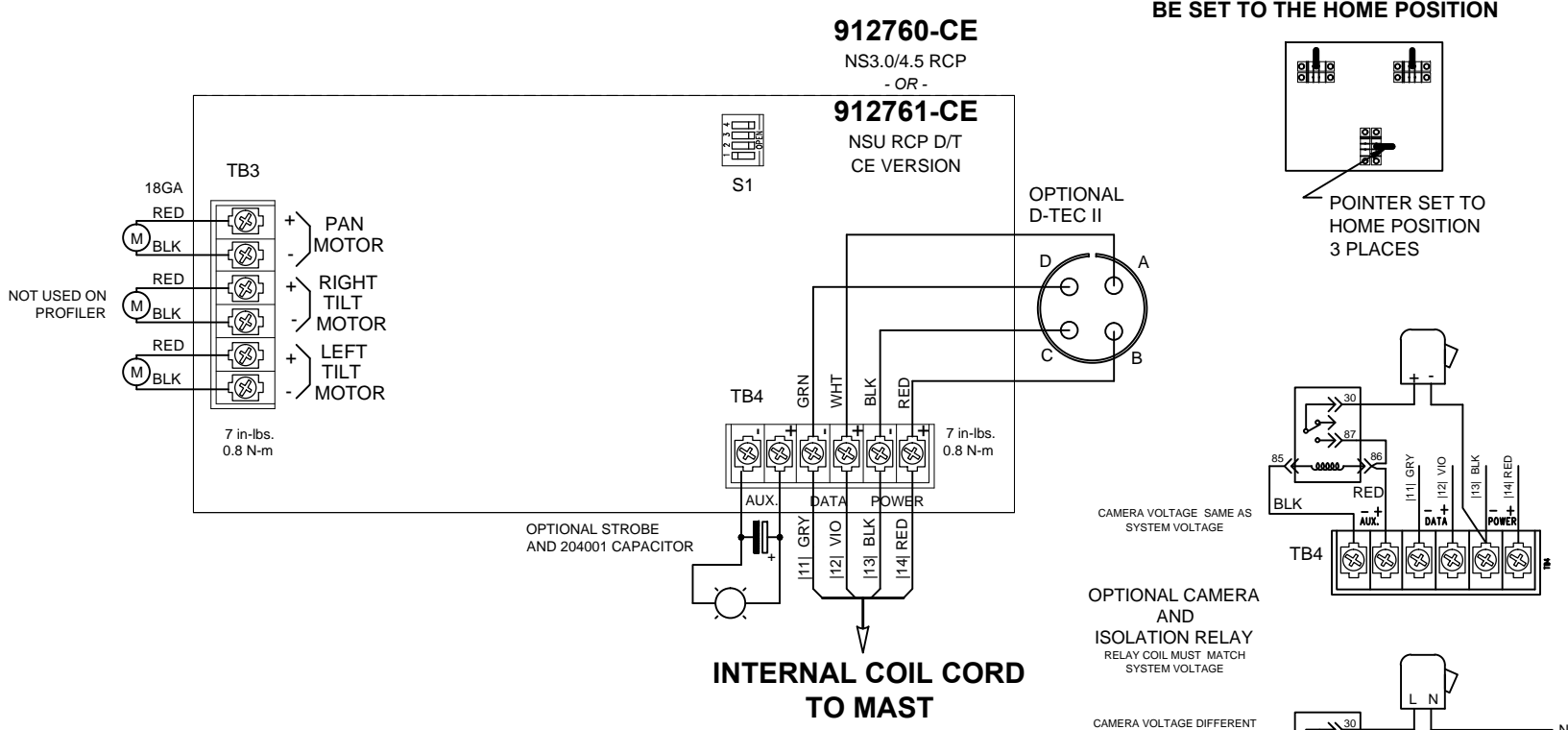
REVISIONS				
ECN	REV	DESCRIPTION	DATE	BY/APPVL
11169	00	NEW RELEASE	08-02-12	DJB/JMK
11485	A	CORRECT (kill) AND (init) REFERENCES	02-18-13	DJB/JA
11683	B	ADD WIRING DETAILS FOR 'HARD-WIRED' LIGHTS	07-08-13	DJB/JLK
11700	C	ADD WIRING DETAILS FOR VARIOUS VOLTAGE CAMERAS	07-16-13	DJB/JLK
11994	D	ADD WIRING DETAILS FOR EXT. HATCH COVER SWITCHES	02-04-14	DJB/JLK
12261	E	UPDATE S3 FUNCTION TABLE FOR 7.3 SOFTWARE	06-25-14	DJB/JLK
12354	F	SHOW INSTALLER WIRING FOR HHRC WITH E-STOP	08-28-14	DJB/JLK



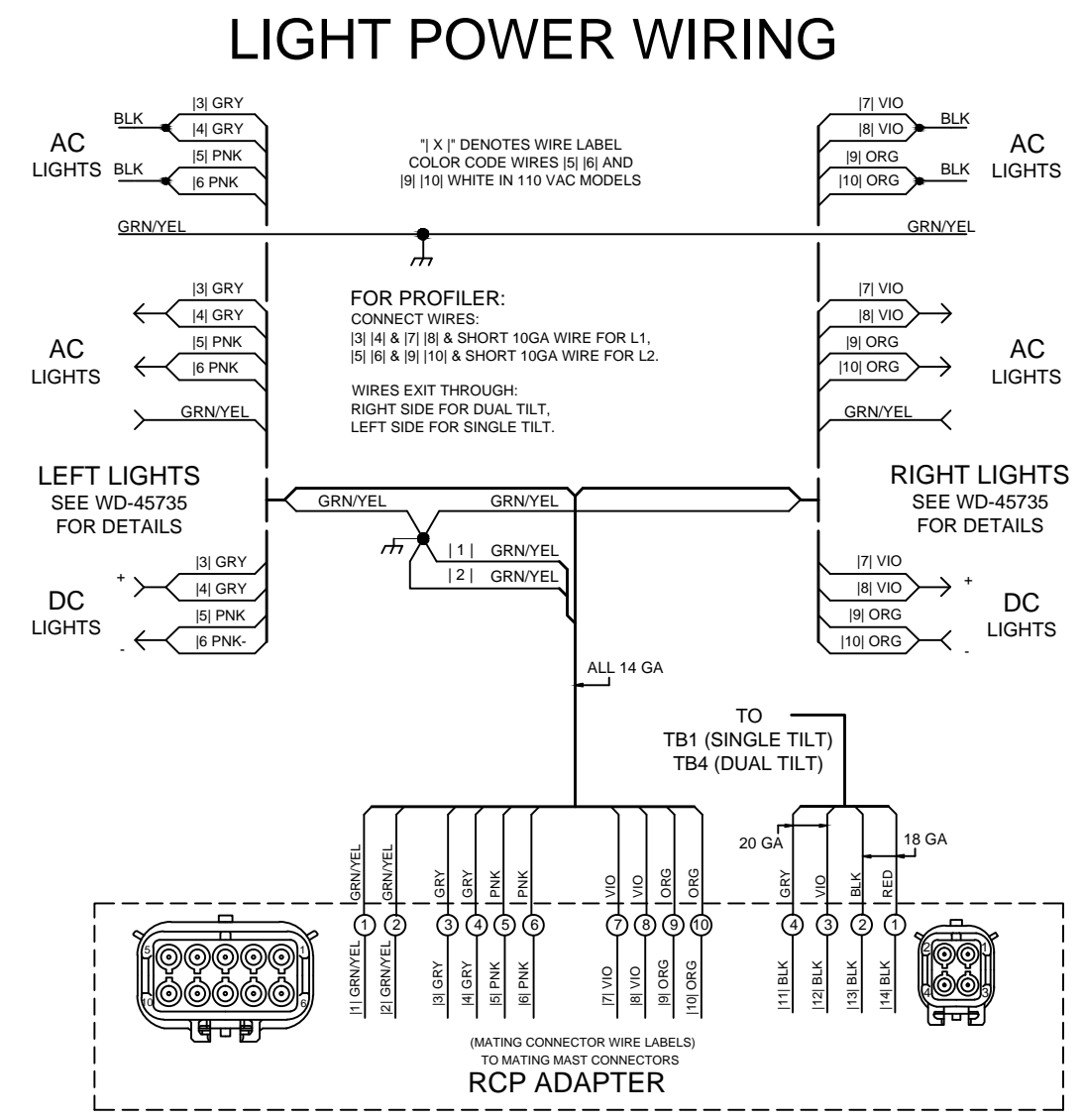
RCP DIP SWITCH S1

POS	OPEN	CLOSED
1	STOP ON FAULT	STOW ON FAULT
2	NOT PROFILER	PROFILER
3	STOW WHILE LOWERING	STOW BEFORE LOWERING
4	DEFAULT	UNUSED

SINGLE-TILT RCP



DUAL-TILT RCP



MATERIAL NS Universal.DWG	UNLESS OTHERWISE SPECIFIED DIMENSIONS ARE IN INCHES TOLERANCES ON: DECIMALS ± 1/2" ANGLES ± 0.000 ± 0.000 ± 0.000 FRACTIONS ± 1/25" BREAK ALL SHARP CORNERS ON ALL MACHINED SURFACES	THIS DOCUMENT CONTAINS PROPRIETARY INFORMATION AND SHALL NOT BE USED OR REPRODUCED OR ITS CONTENTS DISCLOSED IN WHOLE OR IN PART, WITHOUT THE PRIOR WRITTEN CONSENT OF THE WILL-BURT COMPANY. FOR LOGISTICAL SUPPORT ONLY SIGNATURE _____ DATE _____ DR.BY DJB CK.BY JN APP.BY _____	AN EMPLOYEE OWNED COMPANY ORRVILLE, OHIO NEXT ASS'Y DESC. NS UNIVERSAL VERTICAL WITH 4311703 CONTROL RCP WIRING SIZE B DWG. No. WD-43437	
			SCALE NTS	SHEET 2 OF 2