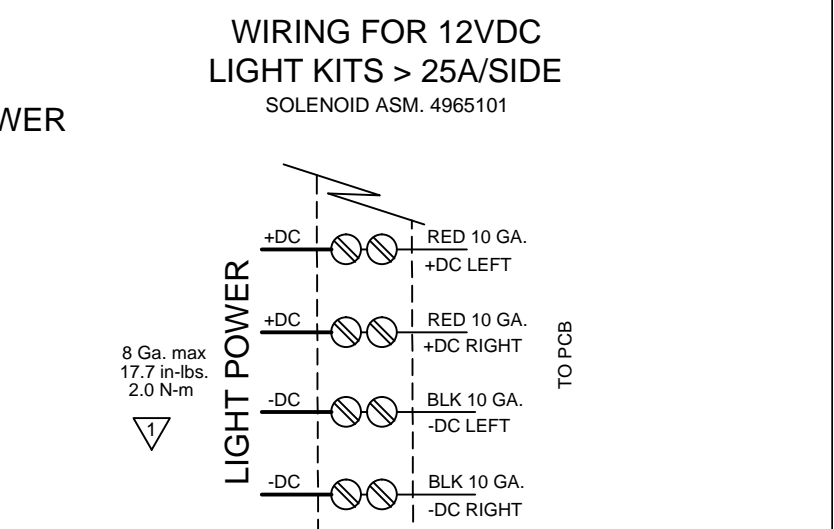
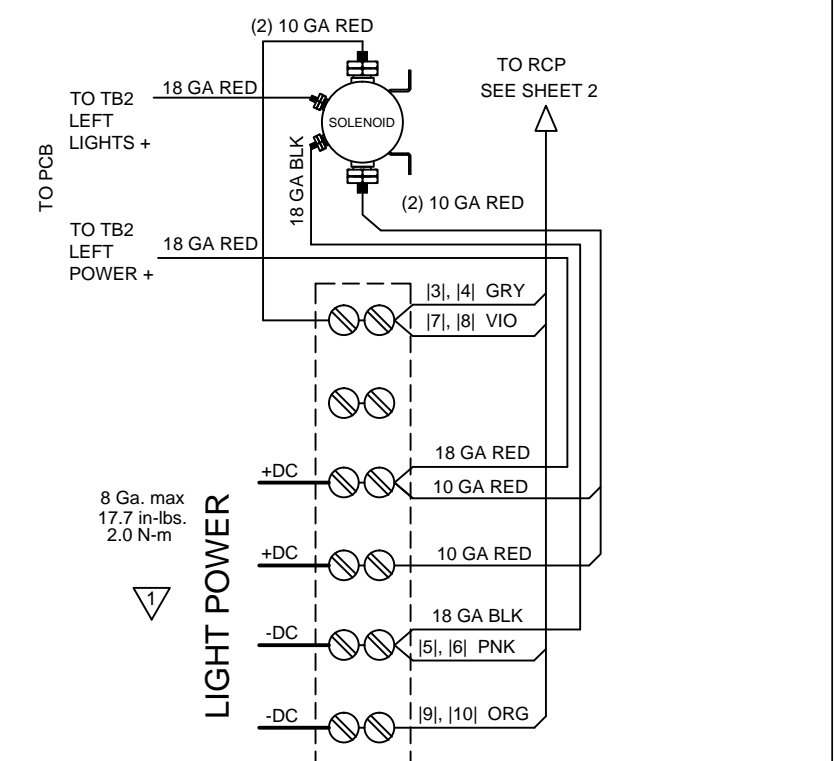
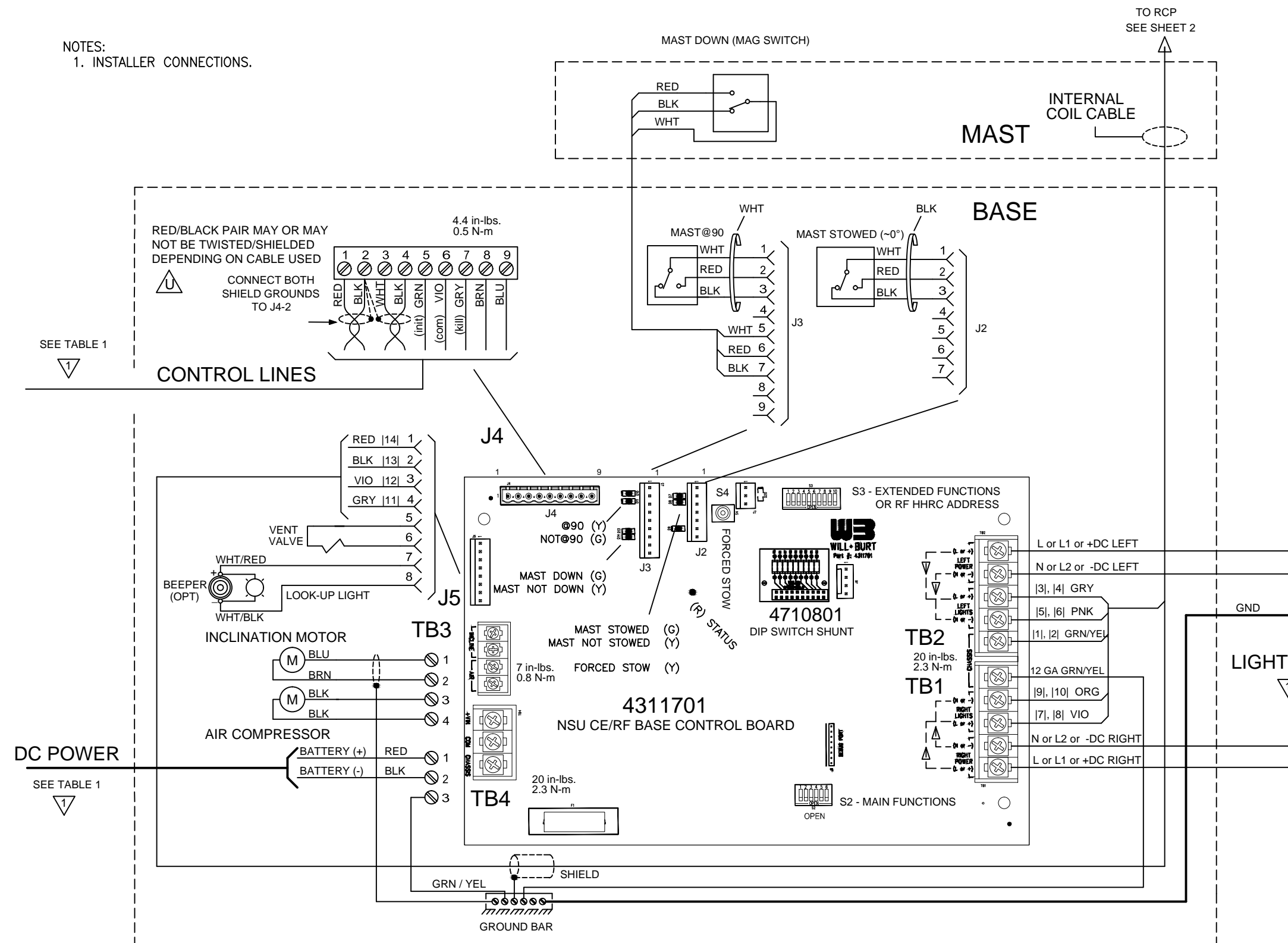


REVISIONS				
ECN	REV	DESCRIPTION	DATE	BY/APPVL
11734	Q	ADD WIRING DETAILS FOR 'EVOLUTION' LED LIGHTS	08-06-13	DJB/JLK
11808	R	ADD WIRING DETAILS FOR SIGNAL SHIELDS	10-07-13	DJB/JLK
12117	S	ADD WIRING DETAILS FOR (4) 125-150W 12VDC LIGHTS	04-14-14	DJB/AW
12148	T	ADD WIRING DETAILS FOR DUAL-TILT RCP	05-02-14	DJB/AW
12339	U	ADD NOTE FOR NEW CABLE	08-20-14	DJB/AW

NOTES:
1. INSTALLER CONNECTIONS.



SEE TABLE 1

SEE TABLE 1

TABLE 1 - CONTROLLER WIRING

APPLICATION	TYPE	DRAWING
SINGLE HARD-WIRED PANEL MOUNT	NFPA	WD-72201
SINGLE HARD-WIRED J-BOX	NFPA	WD-72202
	STANDARD	WD-72203
HARD-WIRED J-BOX & PANEL MOUNT	NFPA	WD-72204
	STANDARD	WD-72206
TWO HARD-WIRED J-BOXES	NFPA	WD-72205
HHRC WITH E-STOP	BOTH	WD-72212
	BOTH	WD-72007

AWG	in-lbs.
14-10 CU	20
12-10 AL	20
(2)14, 12 CU	25
(2)12, 10 AL	25
8	25
6-4	35

BASE DIP SWITCH S2: MAIN FUNCTIONS

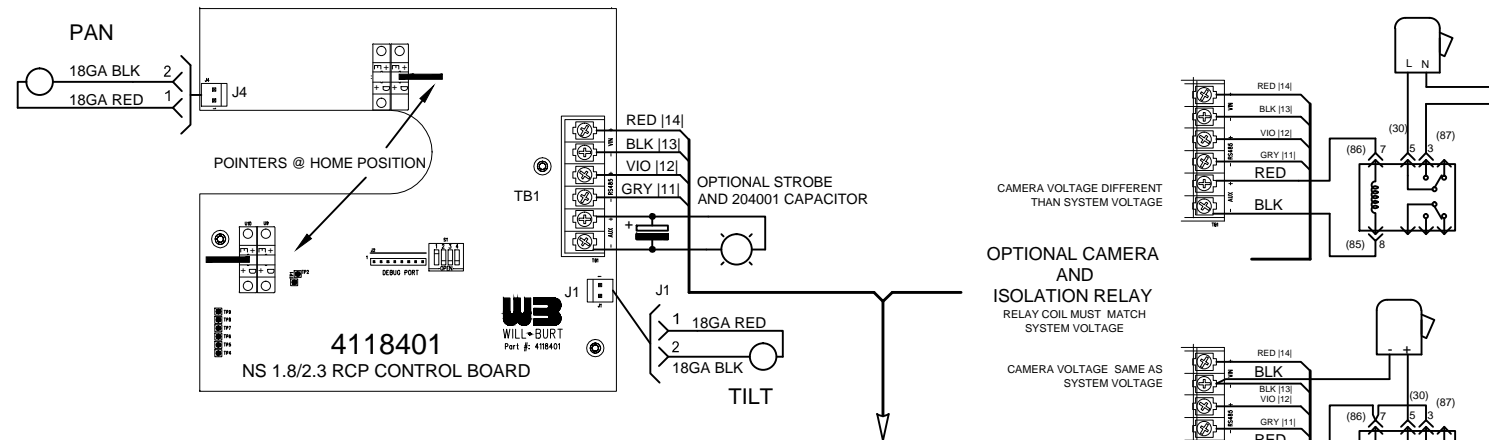
POS	OFF (OPEN)	ON (CLOSED)
1	J4 8,9 CLOSED WHEN NESTED	J4 8,9 OPEN WHEN NESTED
2	NFPA MODE	STANDARD
3	RCP	NO RCP
4	ROOF MOUNT	VERTICAL
5	UNUSED	UNUSED
6	NORMAL	DO NOT USE

BASE DIP SWITCH S3: EXTENDED FUNCTIONS

POS	OFF (OPEN)	ON (CLOSED)
1	NO D-TEC	D-TEC PRESENT
2	NO WELL COVER/HATCH	WELL COVER/HATCH PRESENT
3	-	-
4	-	DEFAULT
5-10	-	-

MATERIAL NSC SYSTEM WIRING.DWG	UNLESS OTHERWISE SPECIFIED DIMENSIONS ARE IN INCHES TOLERANCES ON: DECIMALS ANGLES 0 = ± 1/2" 00 = ± .005" 000 = ± .001"	THIS DOCUMENT CONTAINS PROPRIETARY INFORMATION AND SHALL NOT BE USED OR REPRODUCED OR ITS CONTENTS DISCLOSED IN WHOLE OR IN PART, WITHOUT THE PRIOR WRITTEN CONSENT OF THE WILL-BURT COMPANY.	WILL-BURT AN EMPLOYEE OWNED COMPANY ORRVILLE, OHIO
FINISH	FOR LOGISTICAL SUPPORT ONLY	SIGNATURE DATE DR. BY DJB - CK. BY JN - APP. BY	DESC. NSC CE ROOF MOUNT WITH 4311701-CE/RF CONTROL BASE WIRING SIZE DWG. No. B 46066
	BREAK ALL SHARP CORNERS 725/ ON ALL MACHINED SURFACES		SCALE NTS SHEET 1 OF 2

REVISIONS				
ECN	REV	DESCRIPTION	DATE	BY/APPVL
11734	Q	ADD WIRING DETAILS FOR 'EVOLUTION' LED LIGHTS	08-06-13	DJB/JLK
11808	R	ADD WIRING DETAILS FOR SIGNAL SHIELDS	10-07-13	DJB/JLK
12117	S	ADD WIRING DETAILS FOR (4) 125-150W 12VDC LIGHTS	04-14-14	DJB/AW
12148	T	ADD WIRING DETAILS FOR DUAL-TILT RCP	05-02-14	DJB/AW
12339	U	ADD NOTE FOR NEW CABLE	08-20-14	DJB/AW



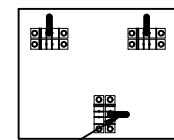
INTERNAL COIL CORD
TO MAST

SINGLE-TILT RCP

RCP DIP SWITCH S1

POS	OPEN	CLOSED
1	STOP ON FAULT	STOW ON FAULT
2	RCP	PROFILER
3	STOW WHILE LOWERING	STOW BEFORE LOWERING
4	DEFAULT	FACTORY ONLY

POINTERS ON THE TIMING RINGS MUST
BE SET TO THE HOME POSITION



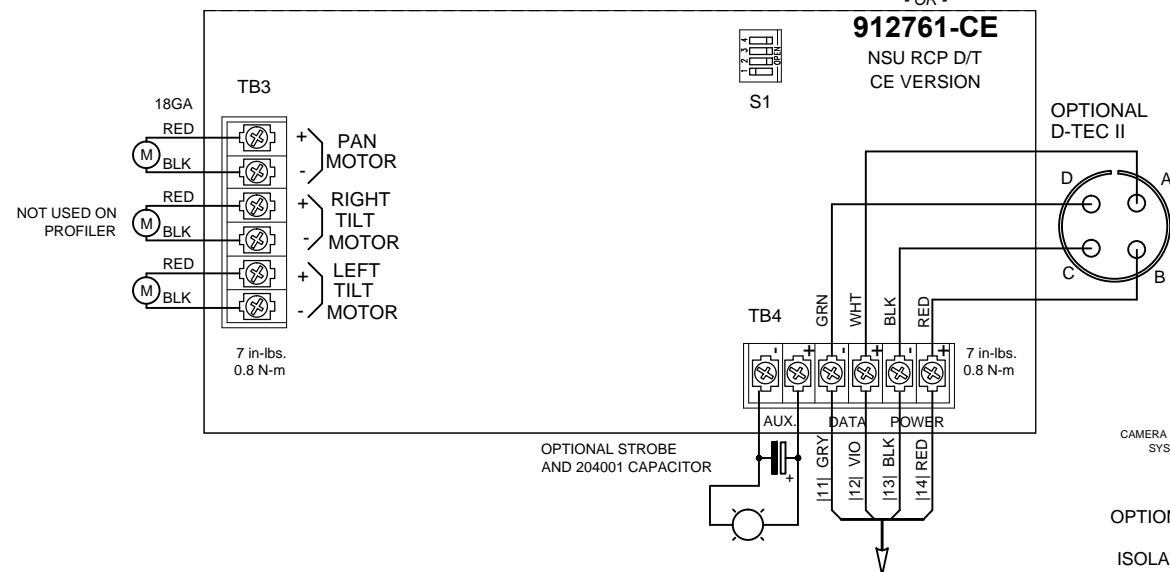
912760-CE

NS3.0/4.5 RCP

- OR -

912761-CE

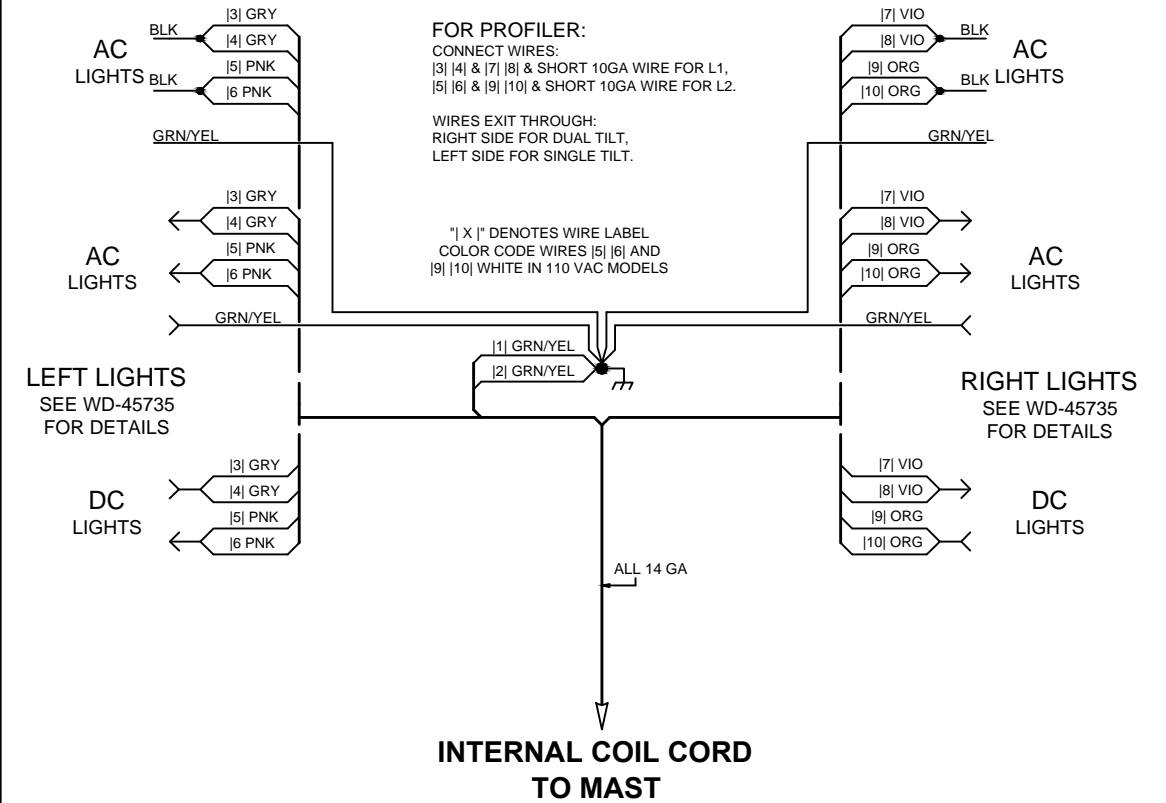
NSU RCP D/T
CE VERSION



INTERNAL COIL CORD
TO MAST

DUAL-TILT RCP

LIGHT POWER WIRING



INTERNAL COIL CORD
TO MAST

MATERIAL NSC SYSTEM WIRING.DWG	UNLESS OTHERWISE SPECIFIED DIMENSIONS ARE IN INCHES TOLERANCES ON: DECIMALS ANGLES 0 = ± 1/2" 00 = ± 000 = ± FRACTIONS ± BREAK ALL SHARP CORNERS 7/25/ ON ALL MACHINED SURFACES	THIS DOCUMENT CONTAINS PROPRIETARY INFORMATION AND SHALL NOT BE USED OR REPRODUCED OR ITS CONTENTS DISCLOSED IN WHOLE OR IN PART, WITHOUT THE PRIOR WRITTEN CONSENT OF THE WILL-BURT COMPANY. FOR LOGISTICAL SUPPORT ONLY SIGNATURE DATE DR. BY DJB - CK. BY JN - APP. BY	AN EMPLOYEE OWNED COMPANY ORRVILLE, OHIO NEXT ASSY DESC. NSC CE ROOF MOUNT WITH 4311701-CE/RF CONTROL RCP WIRING SIZE DWG. No. 46066 SCALE NTS SHEET 2 OF 2
-----------------------------------	---	---	--