



## POSITIONIT™ RACK MOUNT CONTROL QUICK INSTALLATION GUIDE



The Will-Burt Company  
169 S. Main Street  
Orrville, OH 44667

[www.willburt.com](http://www.willburt.com)

TP-5358601-A, June 2017  
© 2017 The Will-Burt Company



## Document History

Document Numbers	Dates	Remarks
TP-5358601-00	April 6, 2016	Initial Release
TP-5358601-A	June 19, 2017	Updated Figure 8 and Table 3.

---

## Table of Figures

Figure 1 Rack Mount Front (P/N: 5340101).....	1
Figure 2 Front Connector (Neutrik NC4FP-B-1) .....	1
Figure 3 Neutrik NC4MX Connector (on Cable 5342201) .....	1
Figure 4 Rack Mount Rear .....	2
Figure 5 MIL Connector PositionIt .....	2
Figure 6 MIL Connector Detailed View (PT06E14-5S) .....	2
Figure 7 Input / Output Jack for PositionIt Motion Control .....	3
Figure 8 Input / Output Jack Phoenix Connector .....	3

## Table of Tables

Table 1 Front Control Connections (Neutrik NC4MX) .....	1
Table 2 PositionIt Electrical Connections.....	2
Table 3 Input / Output Connections .....	3

## Quick Installation

This document was written to guide the installation and integration of the PositionIt™ Rack mount control, with contact closure inputs, “Stowed” output, and joystick control connections. The following figures and tables identify the electrical connection points.



Joystick Control (P/N 5098901) Input  
Cable P/N 5342201

Figure 1 Rack Mount Front (P/N: 5340101)

Table 1 Front Control Connections (Neutrik NC4MX)

PIN	Function	Wire Colors (Will-Burt Cable)
1	DATA A (+)	<b>GREEN</b>
2	DATA B (-)	<b>WHITE</b>
3	POWER +	<b>RED</b>
4	POWER -	<b>BLACK</b>



Figure 2 Front Connector (Neutrik NC4FP-B-1)



Figure 3 Neutrik NC4MX Connector (on Cable 5342201)

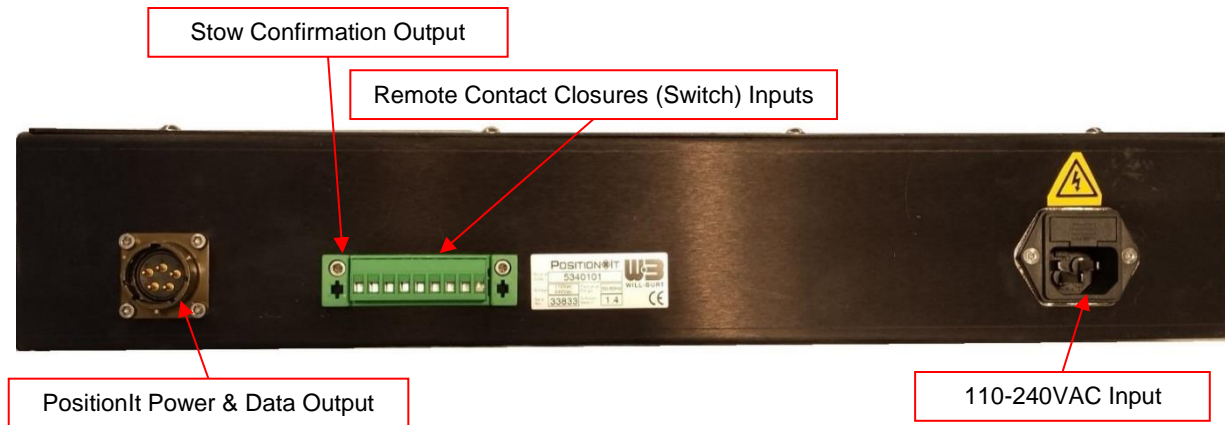


Figure 4 Rack Mount Rear



Figure 5 MIL Connector PositionIt

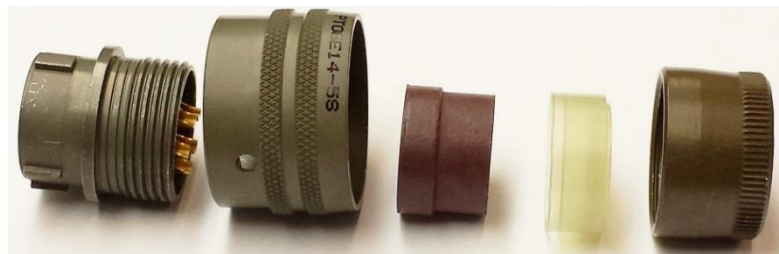


Figure 6 MIL Connector Detailed View (PT06E14-5S)

Table 2 PositionIt Electrical Connections

PIN	Function	Wire Colors (Will-Burt Cable)
A	DATA A (+)	<b>GREEN</b>
B	DATA B (-)	<b>WHITE</b>
C	POWER +	<b>RED</b>
D	POWER -	<b>BLACK</b>
E	GROUND	<b>SHIELD</b>



Figure 7 Input / Output Jack for PositionIt Motion Control

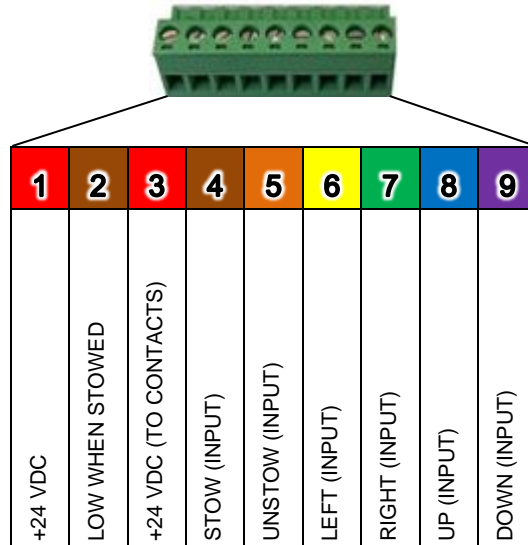


Figure 8 Input / Output Jack Phoenix Connector

Table 3 Input / Output Connections

PIN	I/O Type	Function	Wire Colors
1	POWER	+24VDC	<b>RED</b>
2	OUTPUT	LOW WHEN STOWED	<b>BROWN</b>
3	POWER	+24VDC (TO CONTACTS)	<b>RED</b>
4	INPUT	STOW (PRESET 1)	<b>BROWN</b>
5	INPUT	UNSTOW (PRESET 2)	<b>ORANGE</b>
6	INPUT	PAN LEFT (CCW)	<b>YELLOW</b>
7	INPUT	PAN RIGHT (CW)	<b>GREEN</b>
8	INPUT	TILT UP	<b>BLUE</b>
9	INPUT	TILT DOWN	<b>VIOLET</b>

(This page is intentionally left blank.)