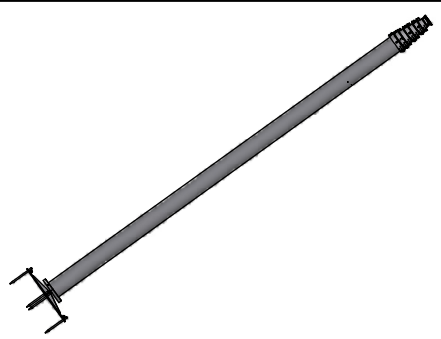
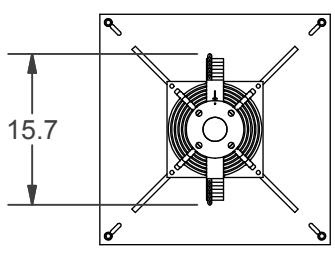


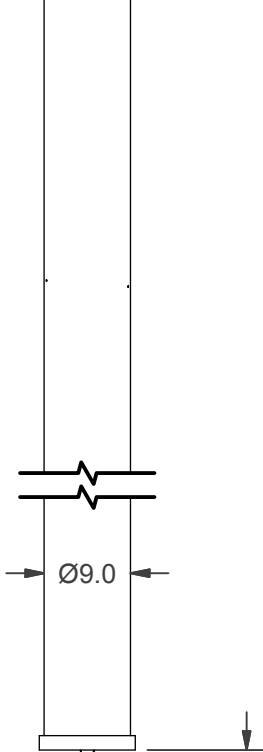
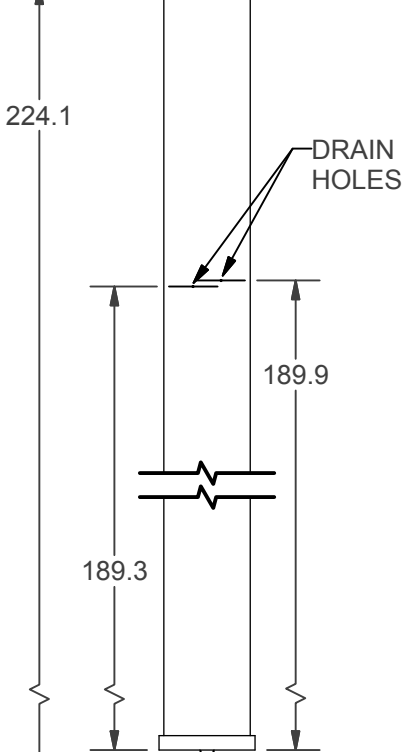
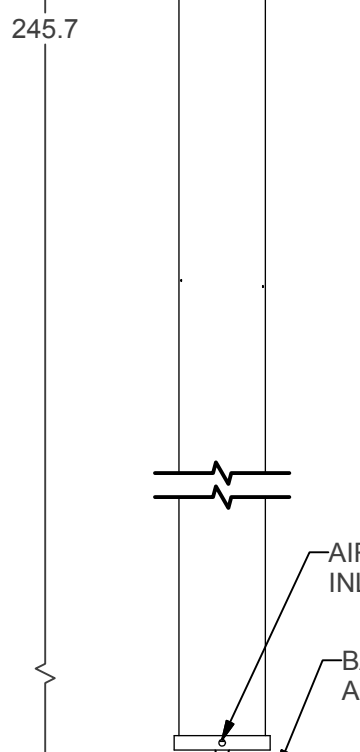
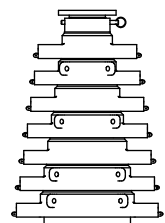
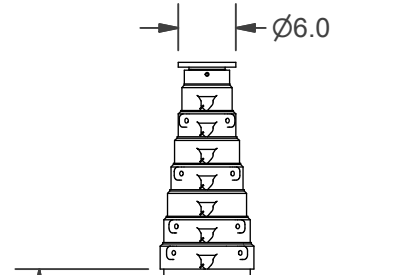
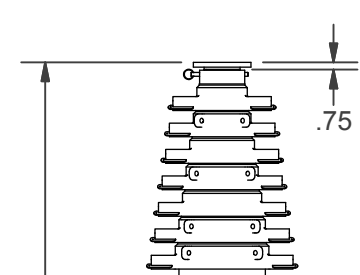
2

1



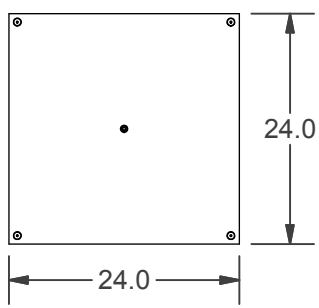
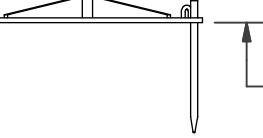
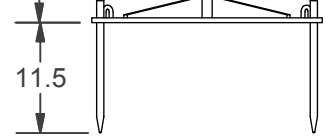
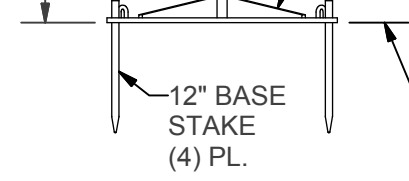
B

B



A

A



GROUND LEVEL

PROPRIETARY AND CONFIDENTIAL
 THE INFORMATION CONTAINED IN THIS DRAWING IS THE SOLE PROPERTY OF THE WILL-BURT COMPANY ANY REPRODUCTION IN PART OR WHOLE WITHOUT THE WRITTEN PERMISSION OF THE WILL-BURT COMPANY IS PROHIBITED.

WB AN EMPLOYEE OWNED COMPANY
 WILL-BURT ORRVILLE, OH

UNLESS OTHERWISE SPECIFIED DIMENSIONS ARE IN INCHES

TITLE **PNEUMATIC MAST INSTALLATION DIMENSIONS**

ALL DIMENSIONS ARE REFERENCE THIRD ANGLE PROJECTION

MODEL **20-134-468 FIELD MOUNT**

JANE-07

2

1

