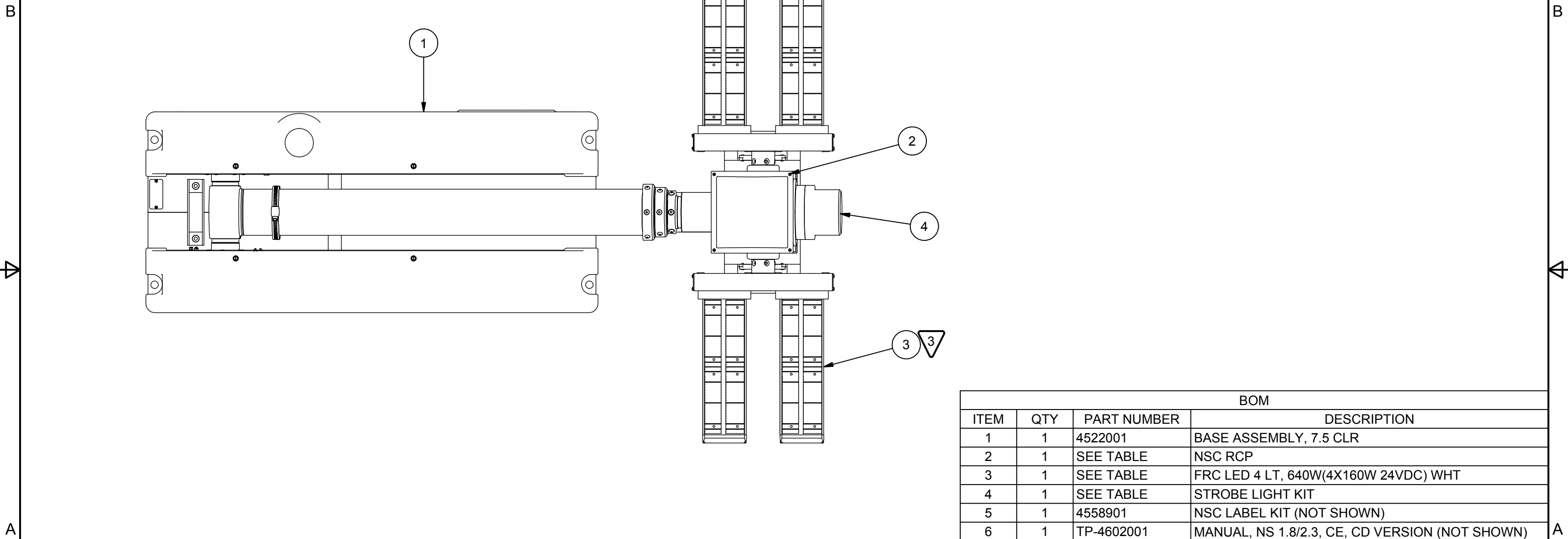


Table				REVISION HISTORY					
PART NUMBER	DESCRIPTION	ITEM-2 P/N	ITEM-3 P/N	ITEM-4 P/N	ECN	REV	DESCRIPTION	DATE	APPROVED
720711741	NS 2.3-640-4 LED 24VDC-FRC w/RED STROBE ONLY	4548305	4596702	4481602	10621	00	INITIAL RELEASE	7/19/2011	RCC/
720711640	NS 2.3-640-4 LED 24VDC-FRC	4548301	4596702	NONE	10758	A	Added Assembly 720711741	10/24/2011	RCC/
720711743	NS 2.3-640-4 LED 24VDC-FRC w/GREEN STROBE ONLY	4548305	4596702	4481603	10879	B	Added Assembly 720711640	1/16/2012	RCC/
720711630	NS 2.3-640-4 LED 12VDC-FRC	4548301	4596704	NONE	11555	C	Added Assembly 720711743	4/2/2013	DAS/
					11990	D	New P/N 720711630 & Obsolete 720711740	1/31/2014	RCC/



BOM			
ITEM	QTY	PART NUMBER	DESCRIPTION
1	1	4522001	BASE ASSEMBLY, 7.5 CLR
2	1	SEE TABLE	NSC RCP
3	1	SEE TABLE	FRC LED 4 LT, 640W(4X160W 24VDC) WHT
4	1	SEE TABLE	STROBE LIGHT KIT
5	1	4558901	NSC LABEL KIT (NOT SHOWN)
6	1	TP-4602001	MANUAL, NS 1.8/2.3, CE, CD VERSION (NOT SHOWN)

- NOTES:
- 1 APPLY RTV #739 OR EQUAL TO ALL OPEN HOLES.
  - 2 SEE WIRING DIAGRAM 46066 FOR ALL UNITS.
  - 3 SET LIGHT BARS HOME POSITION PARALLEL TO BASE PLATE WHEN STOWED.

APPROX. WT:99.2 lbmass  
 THIRD ANGLE PROJECTION

UNLESS OTHERWISE SPECIFIED DIMENSIONS ARE IN INCHES.  
 TOLERANCES ON DECIMALS ANGLES  
 0 = ± 0.030 ± 1/2°  
 00 = ± 0.010  
 000 = ± 0.005  
 FRACTIONAL ± 1/64"  
 1. ALL INSIDE EDGES TO HAVE .005" TO .035" FILLETS.  
 2. ALL OUTSIDE EDGES TO HAVE .005" TO .015" CHAMFER OR RADIUS.  
 125X ON ALL MACHINED SURFACES

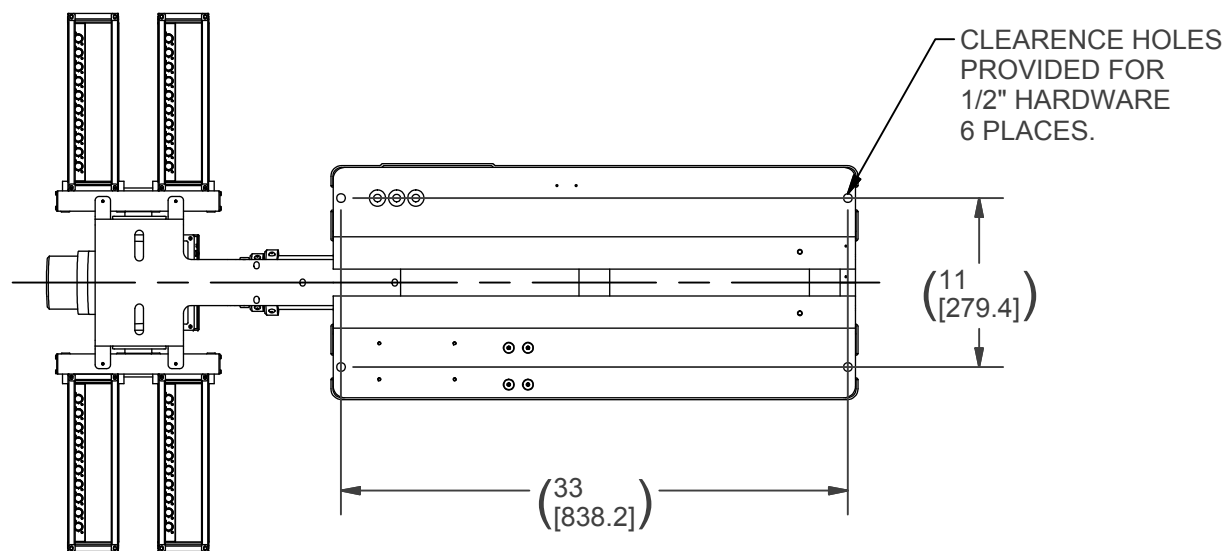
**PROPRIETARY AND CONFIDENTIAL**  
 THE INFORMATION CONTAINED IN THIS DRAWING IS THE SOLE PROPERTY OF THE WILL-BURT COMPANY ANY REPRODUCTION IN PART OR WHOLE WITHOUT THE WRITTEN PERMISSION OF THE WILL-BURT COMPANY IS PROHIBITED.

APPROVALS	DATE
DRAWN RCC	7/19/2011
CHECKED	

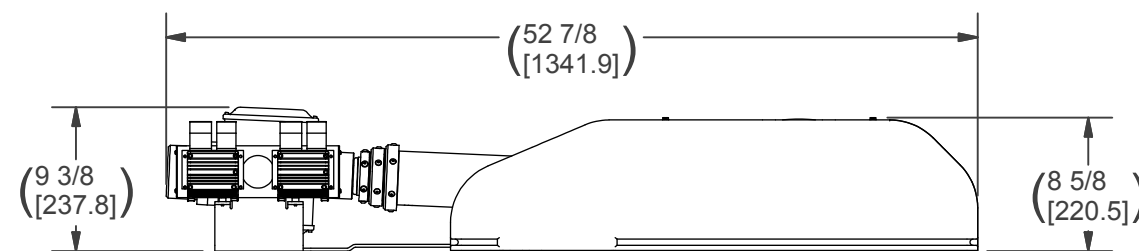
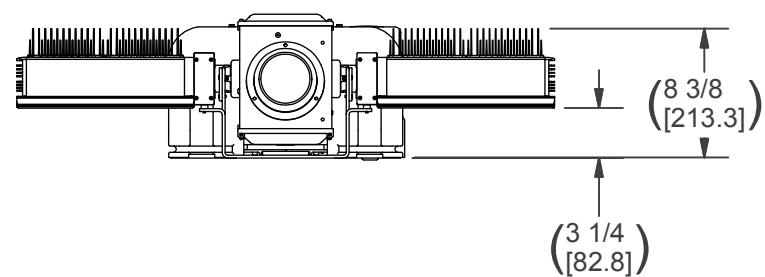
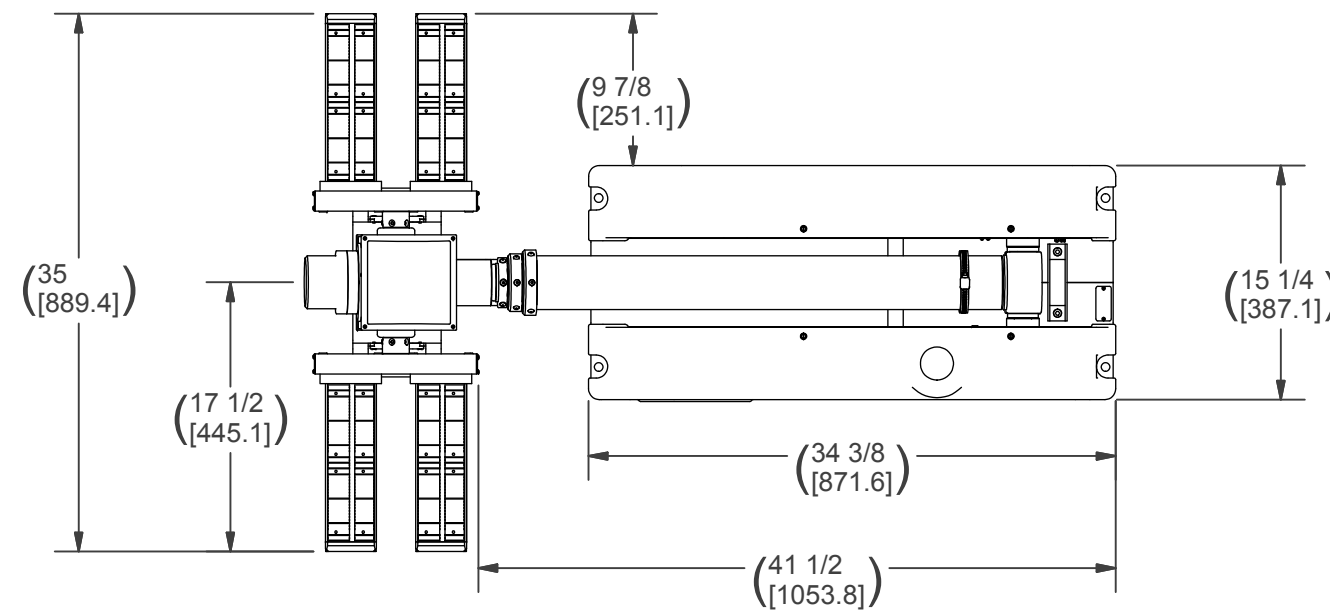
**WILL-BURT** AN EMPLOYEE OWNED COMPANY  
 ORRVILLE, OH

TITLE  
**NS 2.3 4-LIGHT 160W FRC LED**

SIZE B	DWG NO 720711740	REV D
PN: 720711740	SHEET 1 OF 2	



MOUNTING (BOLT PATTERN)  
(BOTTOM VIEW)



APPROX. WT:99.2 lbmass

THIRD ANGLE PROJECTION



UNLESS OTHERWISE SPECIFIED DIMENSIONS ARE IN INCHES.

TOLERANCES ON DECIMALS ANGLES

0 = ± 0.030 ± 1/2°

00 = ± 0.010

000 = ± 0.005

FRACTIONAL ± 1/64"

1. ALL INSIDE EDGES TO HAVE .005" TO .035" FILLETS.

2. ALL OUTSIDE EDGES TO HAVE .005" TO .015" CHAMFER OR RADIUS.

125° ON ALL MACHINED SURFACES

**PROPRIETARY AND CONFIDENTIAL**

THE INFORMATION CONTAINED IN THIS DRAWING IS THE SOLE PROPERTY OF THE WILL-BURT COMPANY ANY REPRODUCTION IN PART OR WHOLE WITHOUT THE WRITTEN PERMISSION OF THE WILL-BURT COMPANY IS PROHIBITED.

APPROVALS	DATE
DRAWN RCC	7/19/2011
CHECKED	

**WB** AN EMPLOYEE OWNED COMPANY  
WILL-BURT ORRVILLE, OH

TITLE  
**NS 2.3 4-LIGHT 160W  
FRC LED**

SIZE B	DWG NO 720711740	REV D
PN: 720711740	SHEET 2 OF 2	