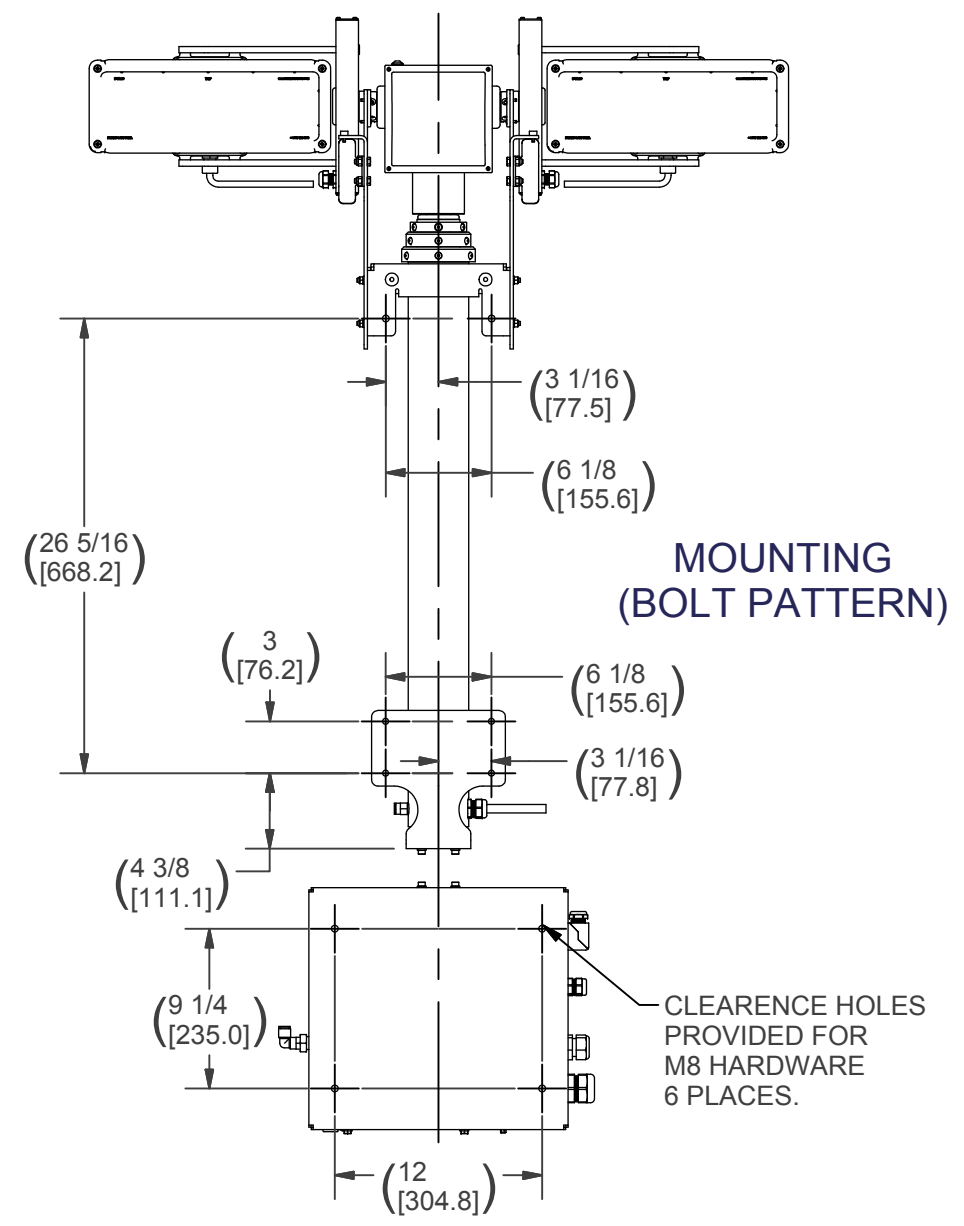
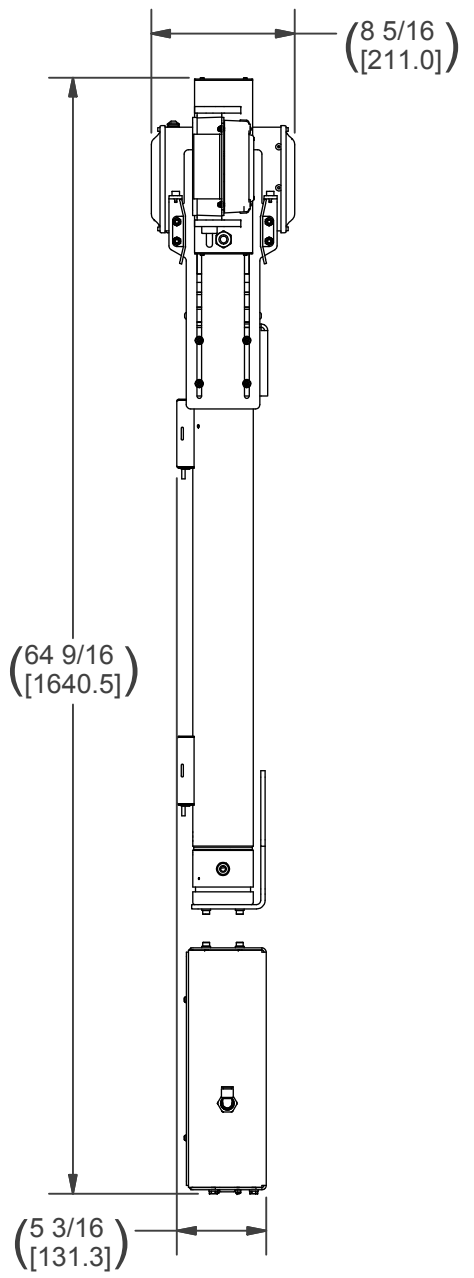
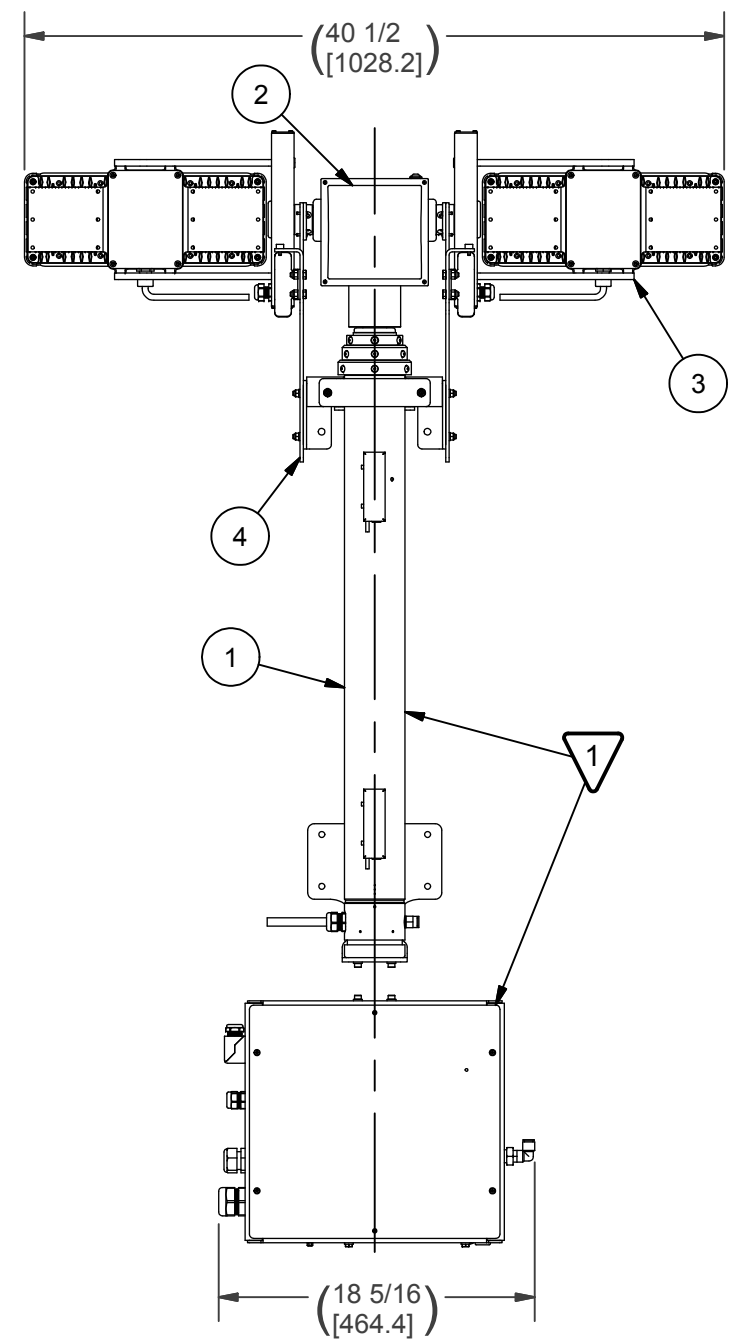


REVISION HISTORY				
ECN	REV	DESCRIPTION	DATE	APPROVED
12389	00	INITIAL RELEASE	9/25/2014	RCC
13098	A	4558910 was 4558901 & 4548324 was 4548301 & Added TP-5319701	2/16/2016	RCC



BOM			
ITEM	QTY	PART NUMBER	DESCRIPTION
1	1	5108001	VRT CMLPT BASE ASM, 2.3 CNTRL-50"
2	1	4548324	RCP , ASSEMBLY, NSC, LOOK-UP LIGHT
3	1	4889002	SPECTRA 460 (2X230W) 220VAC
4	1	4937301	SADDLE, NS COMPLETE
5	1	4558910	KIT, NSC LABEL, VERTICAL COMPLETE
6	1	TP-5319701	OPERATOR'S MANUAL
7	1	4938701	CARTON W/FOAM FOR VRT7.5 STD
8	1	4938702	PALLET/ VRT7.5 STD

NOTE:
 1 CONTROL BOX WILL BE LOCATED 52-58 INCHES AWAY FROM MAST.

APPROX. WT:72.9 lbmass

THIRD ANGLE PROJECTION



UNLESS OTHERWISE SPECIFIED DIMENSIONS ARE IN INCHES.
 TOLERANCES ON DECIMALS ANGLES
 0 = ± 0.030 ± 1/2°
 00 = ± 0.010
 000 = ± 0.005
 FRACTIONAL ± 1/64"
 1. ALL INSIDE EDGES TO HAVE .005" TO .035" FILLETS.
 2. ALL OUTSIDE EDGES TO HAVE .005" TO .015" CHAMFER OR RADIUS.
 125° ON ALL MACHINED SURFACES

PROPRIETARY AND CONFIDENTIAL
 THE INFORMATION CONTAINED IN THIS DRAWING IS THE SOLE PROPERTY OF THE WILL-BURT COMPANY ANY REPRODUCTION IN PART OR WHOLE WITHOUT THE WRITTEN PERMISSION OF THE WILL-BURT COMPANY IS PROHIBITED.

W.B. WILL-BURT AN EMPLOYEE OWNED COMPANY
 ORRVILLE, OH

TITLE
VRT 7.5 CNTRL-50" 460W (2X230) SPC 240V

APPROVALS	DATE
DRAWN RCC	9/25/2014
CHECKED	

SIZE	DWG NO	REV
B	720088060	A
PN:	720088060	SHEET 1 OF 1