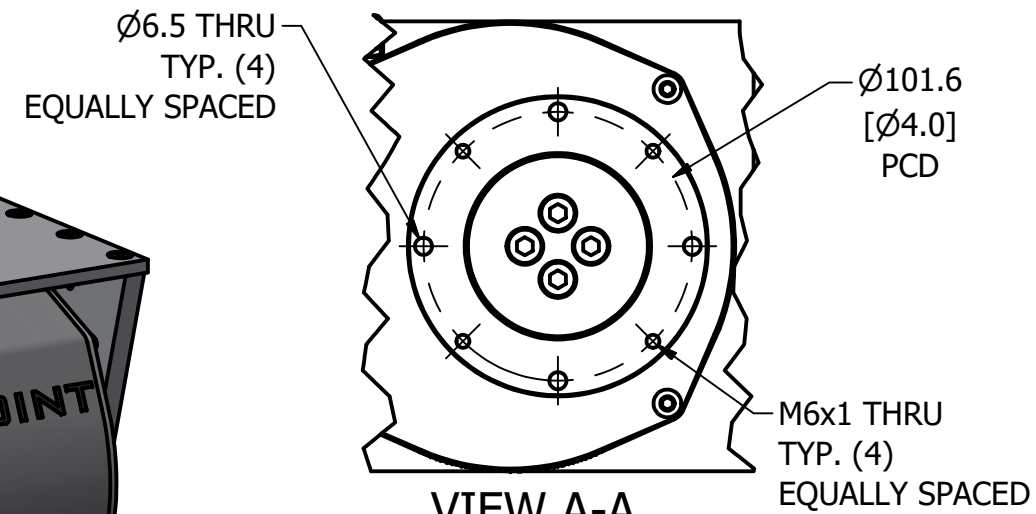
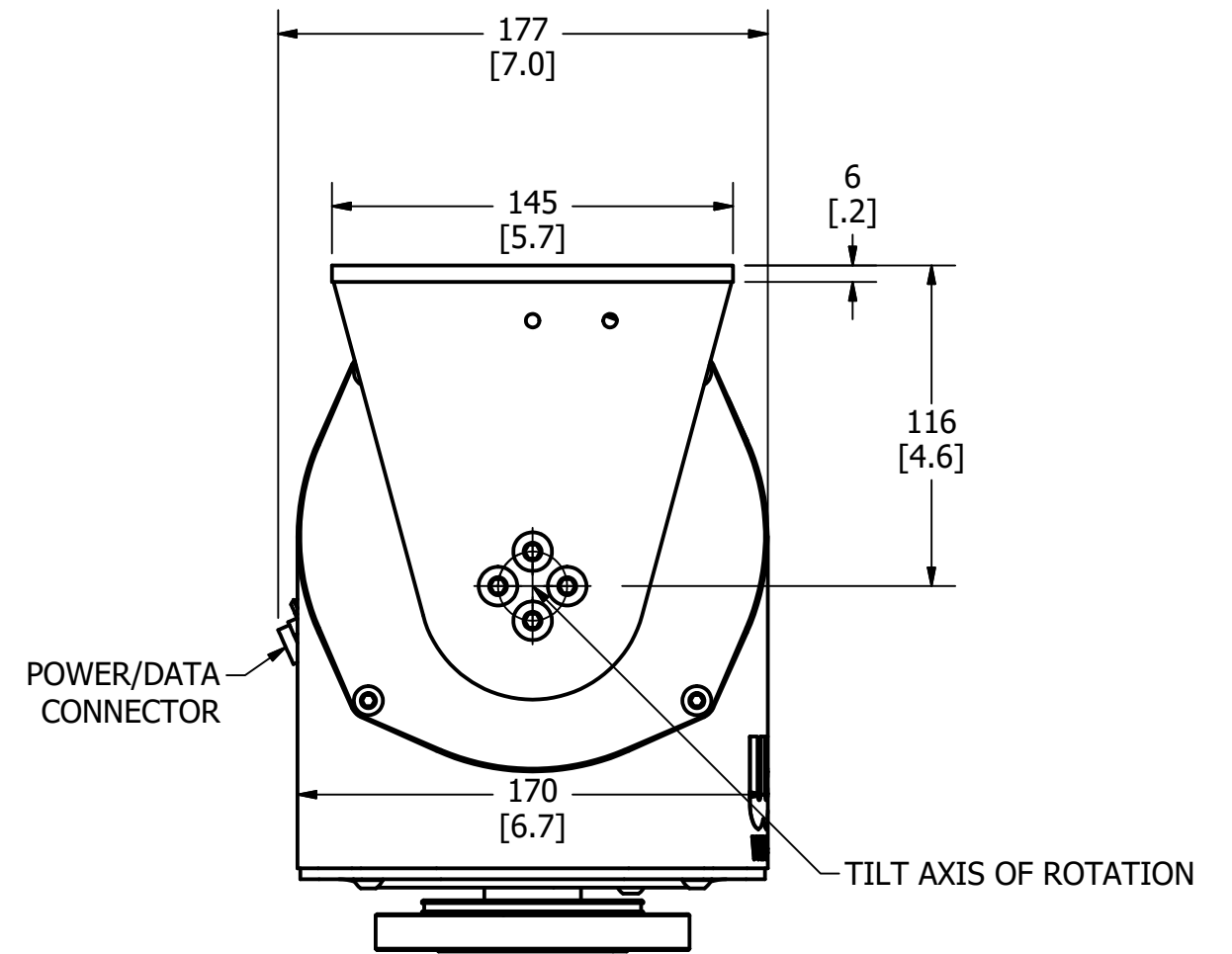
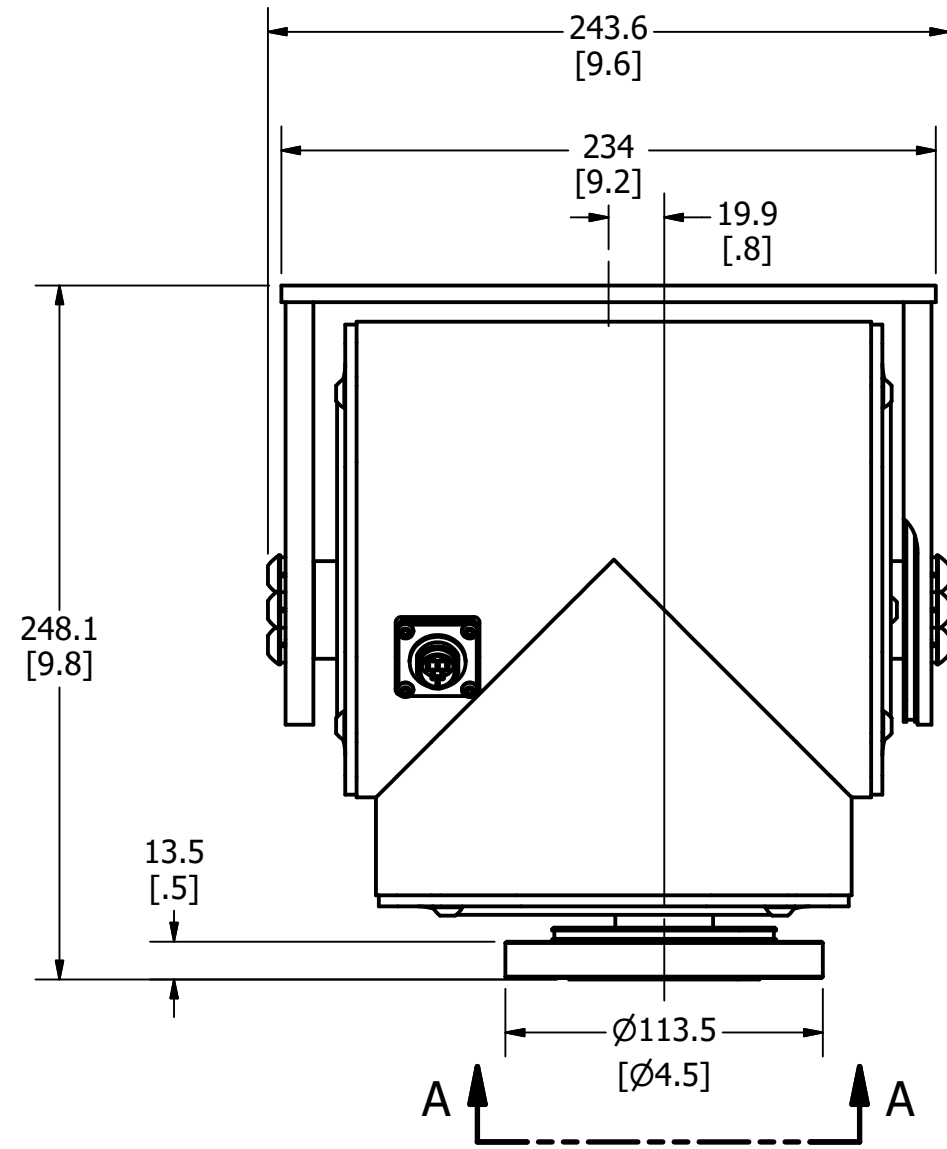


# CUSTOMER DRAWING 1 OF 2



VIEW A-A  
BASE MOUNTING RING

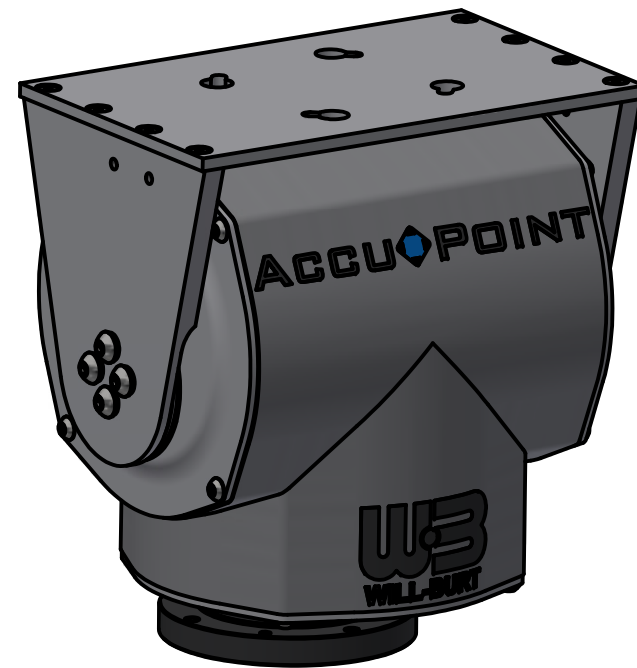


TABLE	
SPECIFICATION	VALUE
PAN GEAR BOX SPEED (MAX)	30°/sec
TILT GEAR BOX SPEED (MAX)	10°/sec
MAX LOAD	50 ft-lb
PAN RANGE	±180°
TILT RANGE	+90° / -45°
BACKLASH	0.15°
REPEATABILITY	< 0.3°
INGRESS PROTECTION	IP68
TEMPERATURE RANGE	-20°C to +50°C
POWER INPUT	24VDC (Standard)
MAX CURRENT DRAW	1.85 A
PROTOCOL	PELCO D
ABSOLUTE POSITIONING	YES
POSITIONAL FEEDBACK	YES
APPLICATION	STATIC

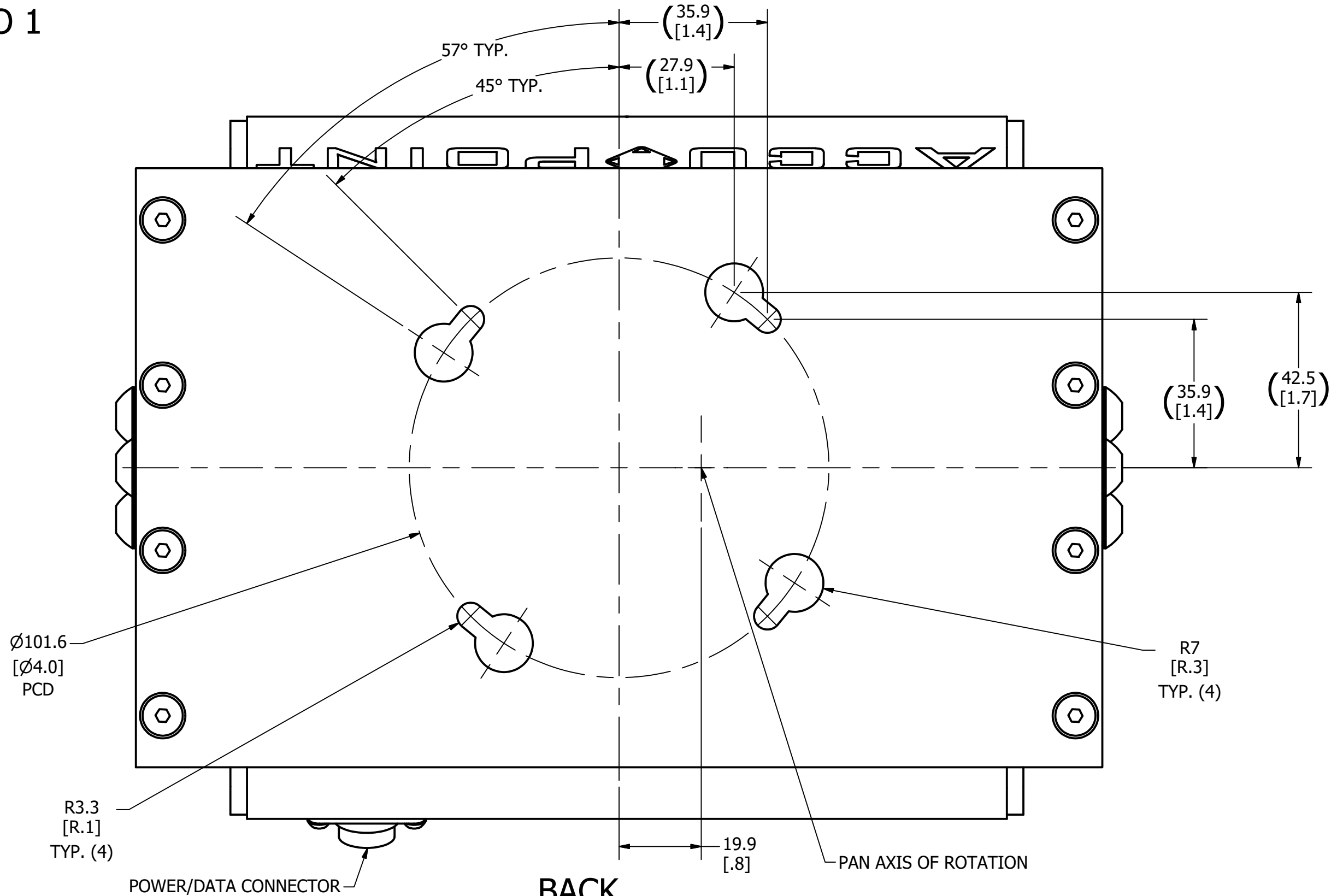
TABLE	
PART NUMBER	PAINT COLOR
HF262TXXDXRX2-00	GOOSE GREY
HF262TXXDXRX2-01	JET BLACK
HF262TXXDXRX2-02	WHITE

MATERIAL	UNLESS OTHERWISE SPECIFIED DIMENSIONS ARE IN MILLIMETERS [ALTERNATE UNITS IN INCHES]	<b>PROPRIETARY AND CONFIDENTIAL</b> THE INFORMATION CONTAINED IN THIS DRAWING IS THE SOLE PROPERTY OF THE WILL-BURT COMPANY. ANY REPRODUCTION IN PART OR WHOLE WITHOUT THE WRITTEN PERMISSION OF THE WILL-BURT COMPANY IS PROHIBITED.		AN EMPLOYEE OWNED COMPANY ORRVILLE, OH TITLE CUSTOMER DRAWING	
FINISH	SEE TABLE	APPROVALS	DATE	SIZE	DWG NO
APPROX. WT: 13.5kg [29.7lb]	THIRD ANGLE PROJECTION	DRAWN	13/06/2022	A3	HF262TXXDXRX2
		CHECKED		PN	SEE TABLE
	ALTERNATIVE FINISH OPTIONS AVAILABLE UPON REQUEST		SCALE: NONE	REV	3

PAYLOAD MOUNTING PLATE  
SCALE 1 TO 1


FRONT

CUSTOMER DRAWING 2 OF 2



PAYLOAD PLATE MOUNTING  
PATTERN DESIGNED FOR 4 INCH PCD

BACK

MATERIAL	UNLESS OTHERWISE SPECIFIED DIMENSIONS ARE IN MILLIMETERS (ALTERNATE UNITS IN INCHES)	<b>PROPRIETARY AND CONFIDENTIAL</b> THE INFORMATION CONTAINED IN THIS DRAWING IS THE SOLE PROPERTY OF THE WILL-BURT COMPANY. ANY REPRODUCTION IN PART OR WHOLE WITHOUT THE WRITTEN PERMISSION OF THE WILL-BURT COMPANY IS PROHIBITED.		 <b>AN EMPLOYEE OWNED COMPANY</b> ORRVILLE, OH TITLE CUSTOMER DRAWING									
FINISH SEE TABLE ON PAGE 1	ALL DIMENSIONS AND PERFORMANCE PARAMETERS ARE PROVIDED FOR REFERENCE ONLY AND ARE SUBJECT TO CHANGE WITHOUT NOTICE.	<table border="1"> <thead> <tr> <th>APPROVALS</th> <th>DATE</th> </tr> </thead> <tbody> <tr> <td>DRAWN AD</td> <td>13/06/2022</td> </tr> <tr> <td>CHECKED</td> <td></td> </tr> <tr> <td></td> <td>SCALE: NONE</td> </tr> </tbody> </table>		APPROVALS	DATE	DRAWN AD	13/06/2022	CHECKED			SCALE: NONE	SIZE DWG NO A3 HF262TXXDXRX2	REV 3
APPROVALS	DATE												
DRAWN AD	13/06/2022												
CHECKED													
	SCALE: NONE												
APPROX. WT: 13.5kg [29.7lb]	ALTERNATIVE FINISH OPTIONS AVAILABLE UPON REQUEST			PN SEE TABLE									
THIRD ANGLE PROJECTION													