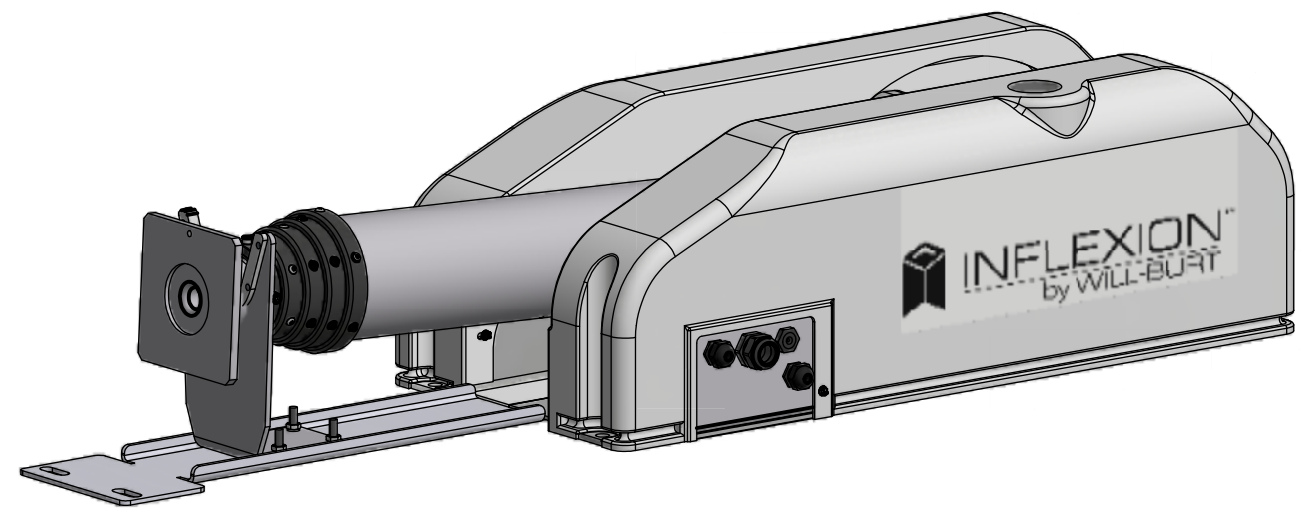
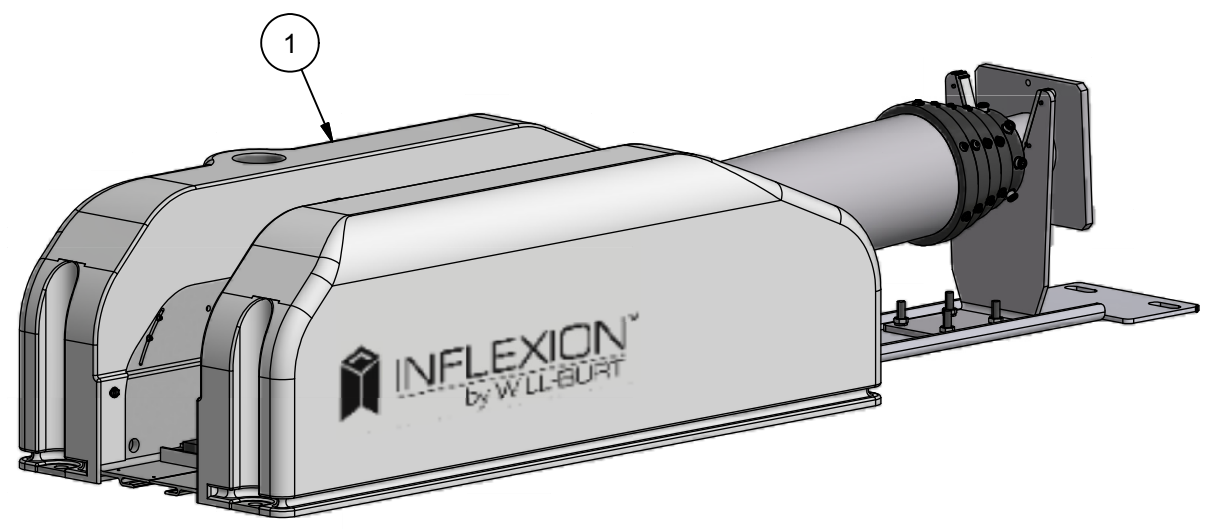


REVISION HISTORY				
ECN	REV	DESCRIPTION	DATE	APPROVED
12756	00	INITIAL RELEASE	6/04/2015	RCC



NOTE:
 1 5246801 TO BE INSTALLED.

BOM			
ITEM	QTY	PART NUMBER	DESCRIPTION
1	1	4968903	NSP BASE ASM, 3.0-12V COMP.-RELAY PLT.
2	1	5246801	HAND HELD REMOTE, VRTCL 30FT WO/CONN
3	1	4706705	NSP LABEL KIT (NOT SHOWN)
4	1	TP-4723701	NSP MANUAL CD (NOT SHOWN)
5	1	WD-4833201	WIRING DIAGRAM

APPROX. WT:104.6 lbmass

THIRD ANGLE PROJECTION

UNLESS OTHERWISE SPECIFIED DIMENSIONS ARE IN INCHES.
 TOLERANCES ON DECIMALS ANGLES
 0 = ± 0.030 ± 1/2°
 00 = ± 0.010
 000 = ± 0.005
 FRACTIONAL ± 1/64"
 1. ALL INSIDE EDGES TO HAVE .005" TO .035" FILLETS.
 2. ALL OUTSIDE EDGES TO HAVE .005" TO .015" CHAMFER OR RADIUS.
 125 ON ALL MACHINED SURFACES

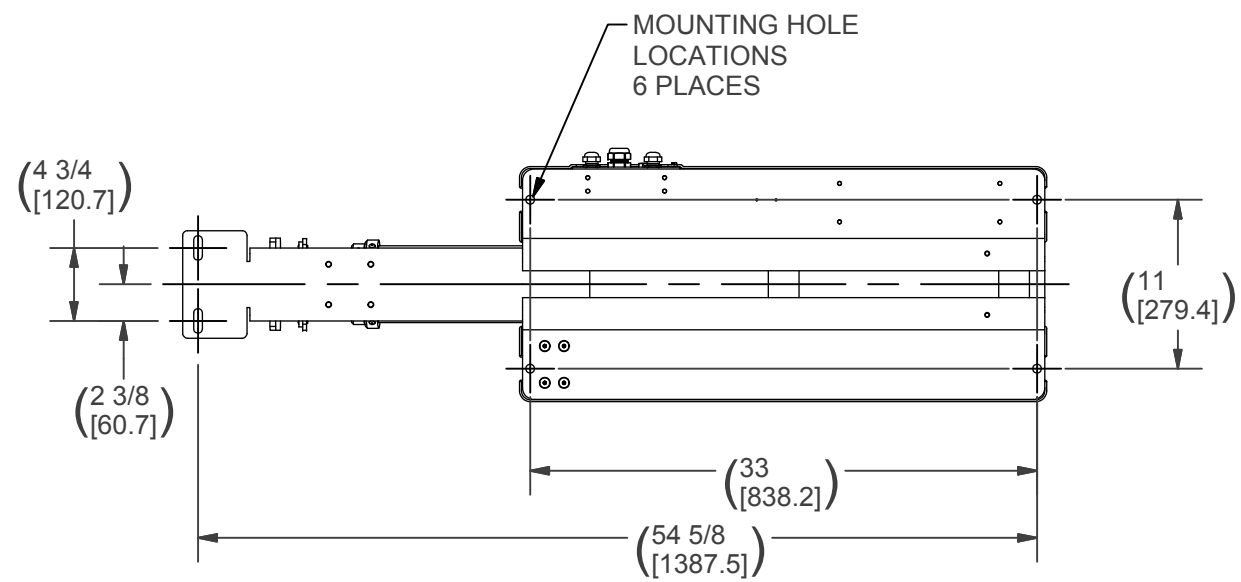
PROPRIETARY AND CONFIDENTIAL
 THE INFORMATION CONTAINED IN THIS DRAWING IS THE SOLE PROPERTY OF THE WILL-BURT COMPANY ANY REPRODUCTION IN PART OR WHOLE WITHOUT THE WRITTEN PERMISSION OF THE WILL-BURT COMPANY IS PROHIBITED.

W3 AN EMPLOYEE OWNED COMPANY
 WILL-BURT ORRVILLE, OH

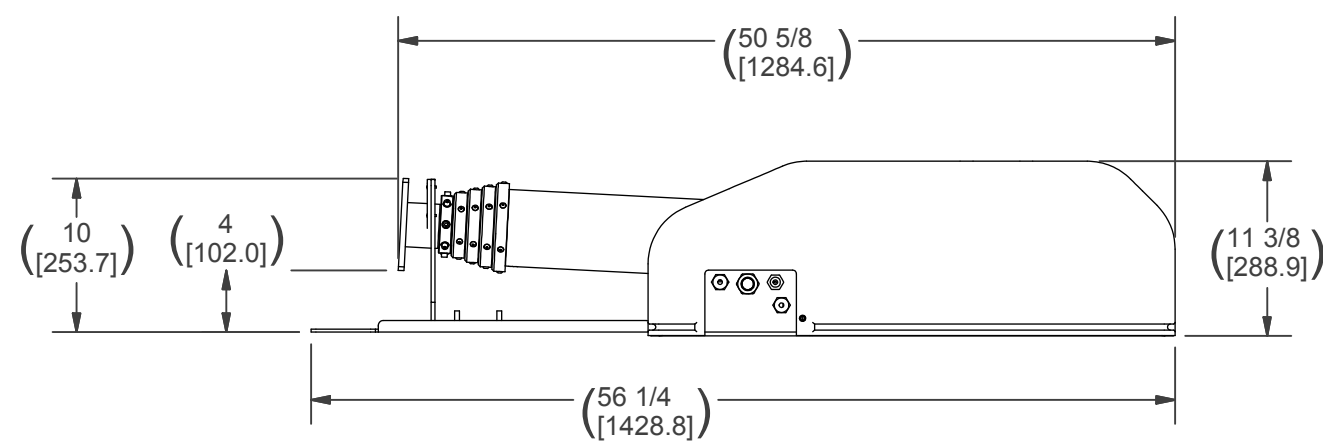
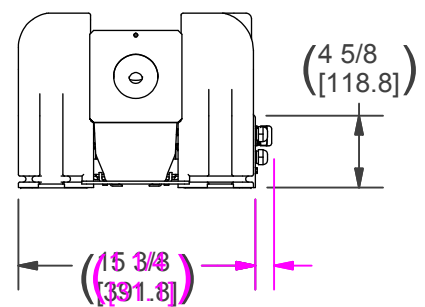
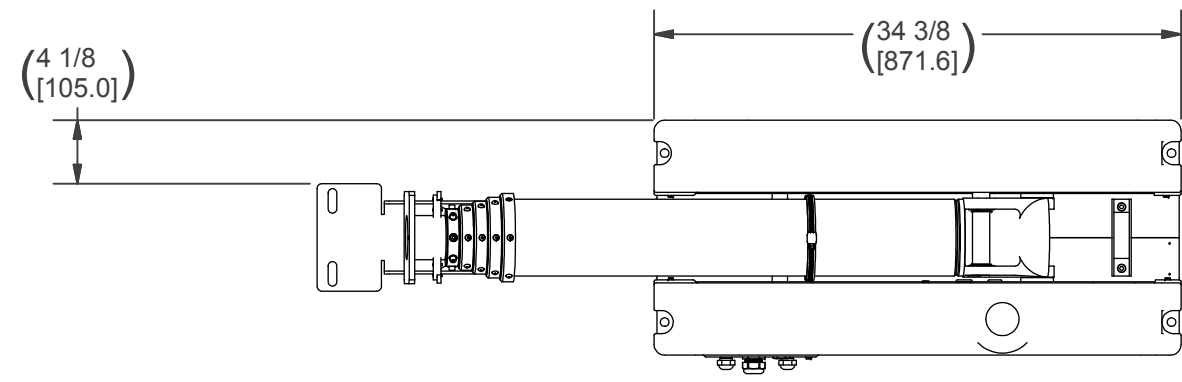
TITLE
**NS 3.0 INFLX W/PLTFRM
 12VDC-COMP**

APPROVALS	DATE
DRAWN RCC	6/4/2015
CHECKED	

SIZE	DWG NO	REV
B	722068000	00
PN: 722068000		SHEET 1 OF 2



MOUNTING LOCATIONS



NOTES:
SECONDARY DIMENSIONS - MILLIMETERS NOTED IN BRACKETS.

APPROX. WT:104.6 lbmass



UNLESS OTHERWISE SPECIFIED DIMENSIONS ARE IN INCHES. TOLERANCES ON DECIMALS ANGLES 0 = ± 0.030 ± 1/2° 00 = ± 0.010 000 = ± 0.005 FRACTIONAL ± 1/64" 1. ALL INSIDE EDGES TO HAVE .005" TO .035" FILLETS. 2. ALL OUTSIDE EDGES TO HAVE .005" TO .015" CHAMFER OR RADIUS. 125√ ON ALL MACHINED SURFACES		PROPRIETARY AND CONFIDENTIAL THE INFORMATION CONTAINED IN THIS DRAWING IS THE SOLE PROPERTY OF THE WILL-BURT COMPANY ANY REPRODUCTION IN PART OR WHOLE WITHOUT THE WRITTEN PERMISSION OF THE WILL-BURT COMPANY IS PROHIBITED.		AN EMPLOYEE OWNED COMPANY ORRVILLE, OH	
APPROVALS DRAWN RCC CHECKED		DATE 6/4/2015		TITLE NS 3.0 INFLX W/PLTFRM 12VDC-COMP	
SIZE B		DWG NO 722068000		REV 00	
PN: 722068000		SHEET 2 OF 2			