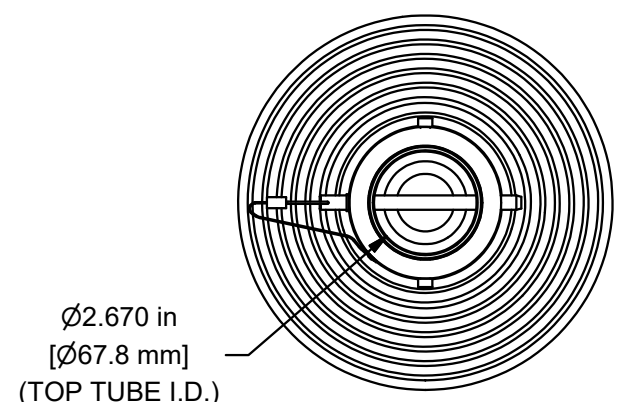
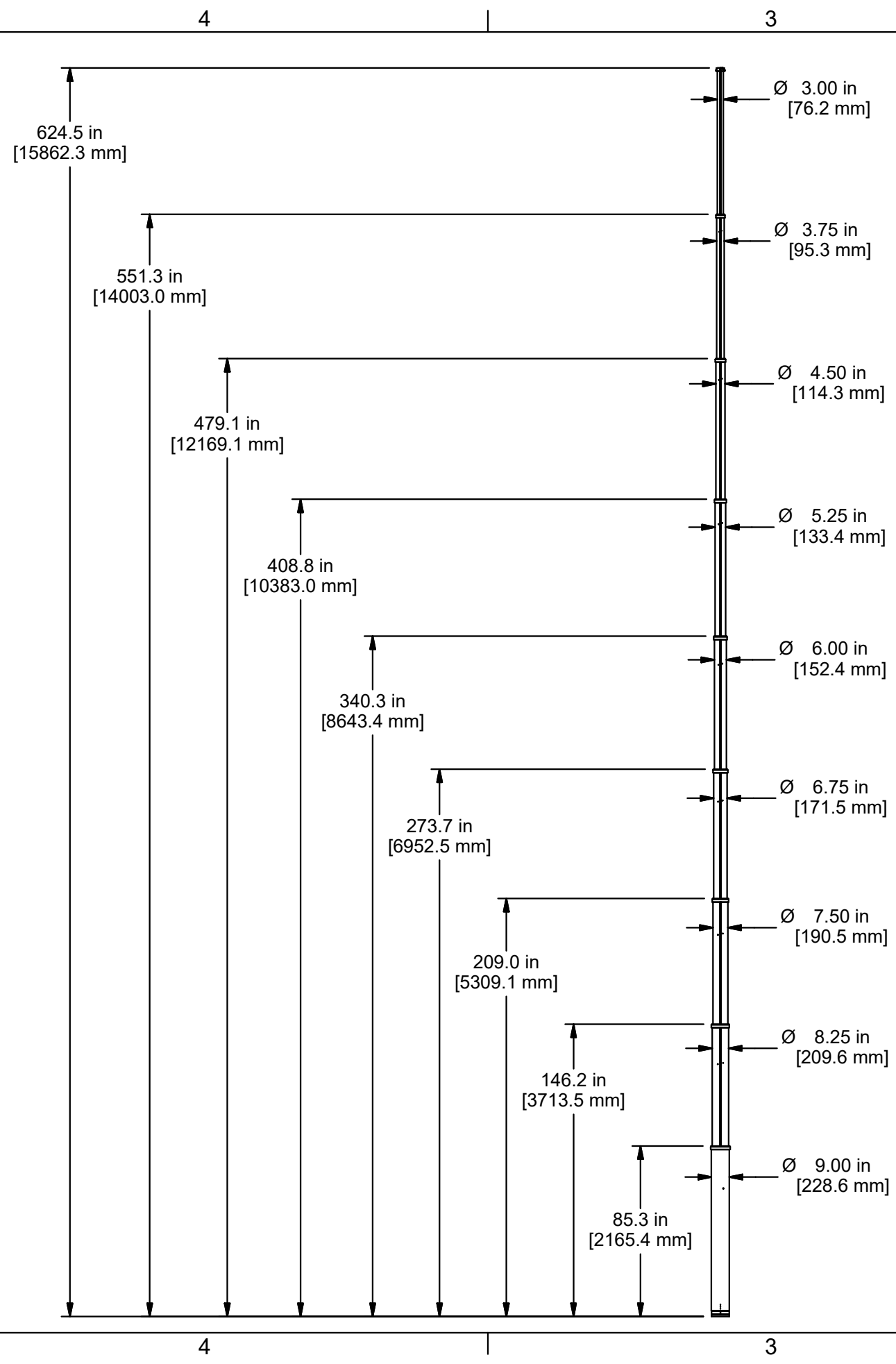
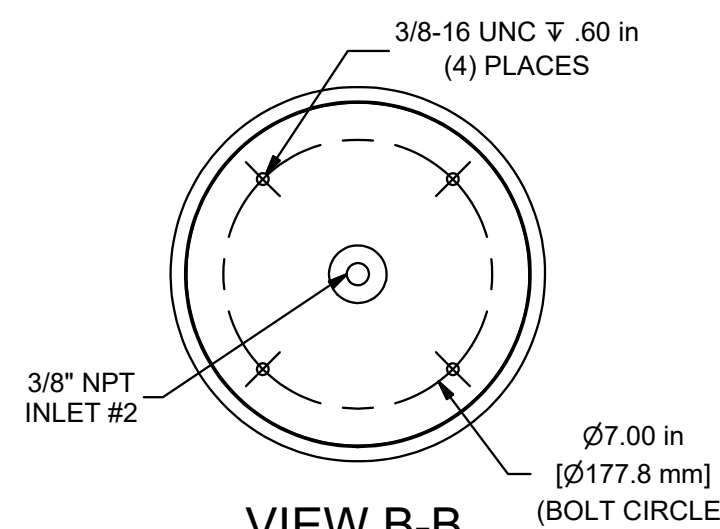


8.5-52 HEAVY DUTY NON-LOCKING MAST



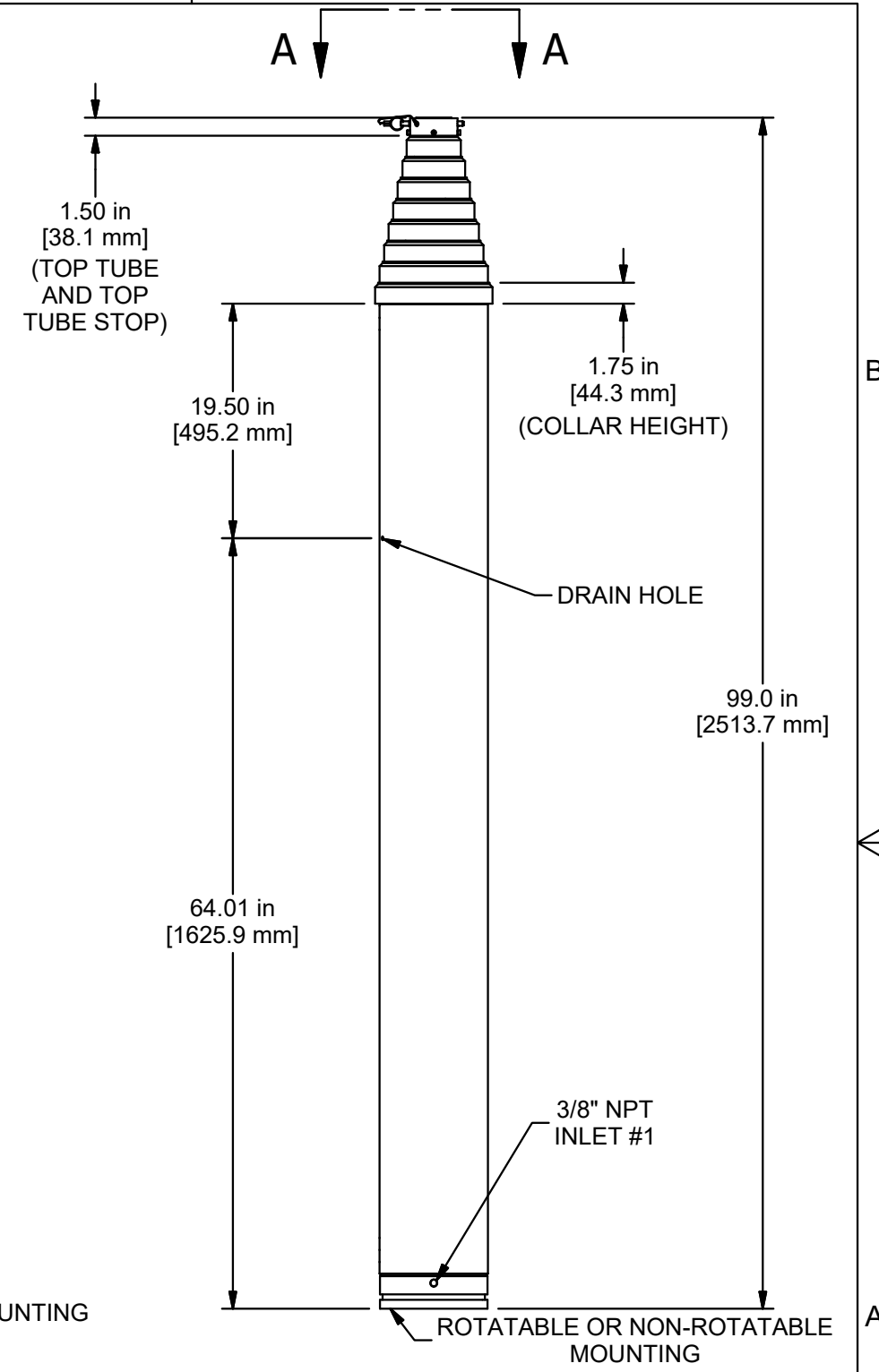
VIEW A-A



VIEW B-B

NOTES:

- 1 ALL DIMENSIONS APPLY WITHOUT MOUNTING ACCESSORIES.
- 2 ADDITIONAL MAST SURFACE FINISHES OPTIONAL.



MATERIAL	UNLESS OTHERWISE SPECIFIED DIMENSIONS ARE IN INCHES [ALTERNATE UNITS IN MM]	PROPRIETARY AND CONFIDENTIAL THE INFORMATION CONTAINED IN THIS DRAWING IS THE SOLE PROPERTY OF THE WILL-BURT COMPANY. ANY REPRODUCTION IN PART OR WHOLE WITHOUT THE WRITTEN PERMISSION OF THE WILL-BURT COMPANY IS PROHIBITED.		AN EMPLOYEE OWNED COMPANY ORRVILLE, OH	
FINISH	ALL DIMENSIONS AND PERFORMANCE PARAMETERS ARE PROVIDED FOR REFERENCE ONLY AND ARE SUBJECT TO CHANGE WITHOUT NOTICE.	APPROVALS		DATE	
CLEAR ANODIZE		DRAWN		12/27/2017	
APPROX. WT: N/A	(-XXXX) DENOTES THE MAST FINISH. FOR A LIST OF FINISH OPTIONS SEE "FINISH SPECIFICATION TABLE" AT WWW.WILLBURT.COM.	CHECKED		SIZE DWG NO	
THIRD ANGLE PROJECTION		CAGE CODE 97246		B B-1603	
		SCALE: NONE		REV F	
				PN 906037 TUBE SET Ø3.00" - Ø9.00"	