

CUSTOMER DRAWING 1 OF 1

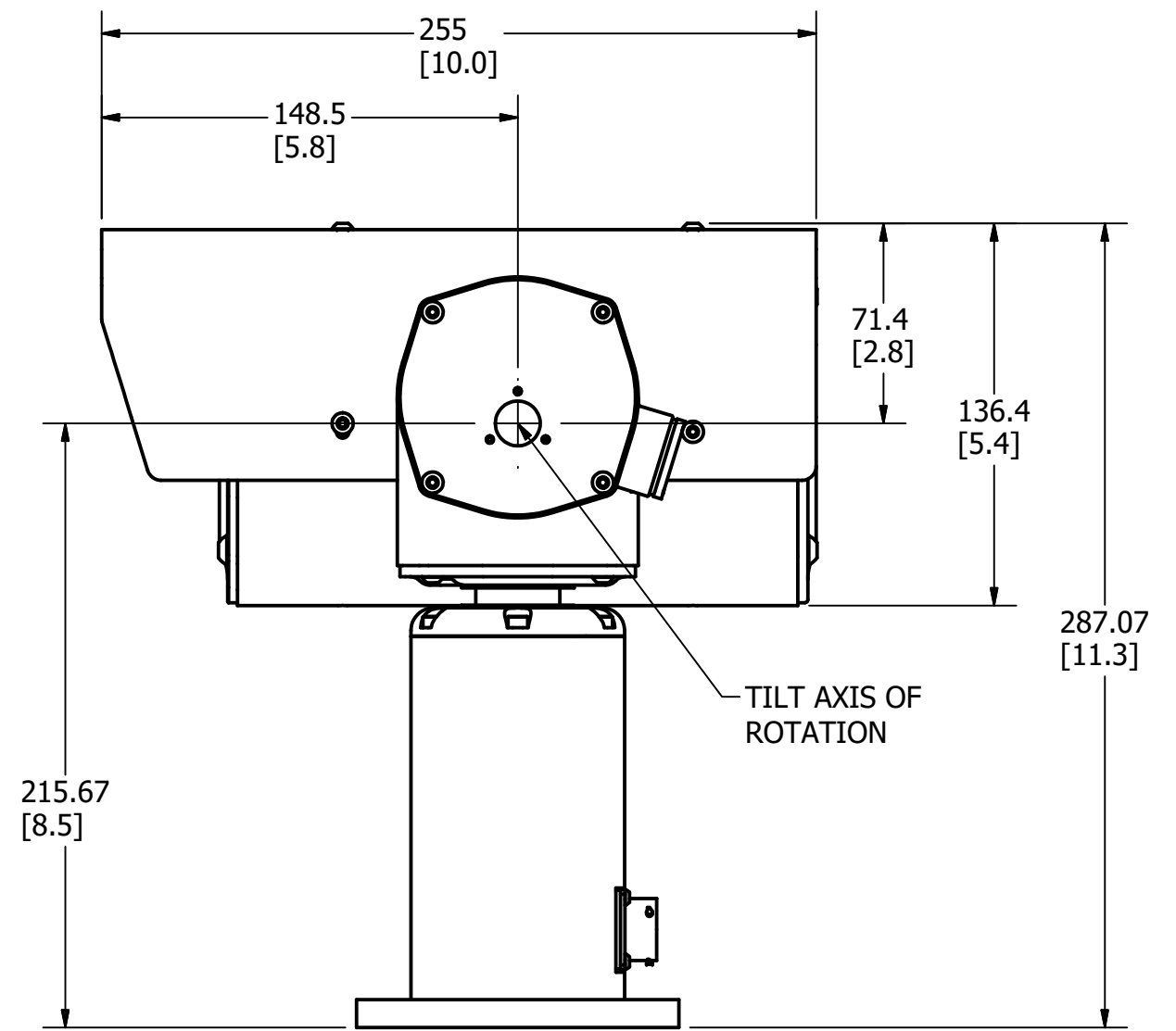
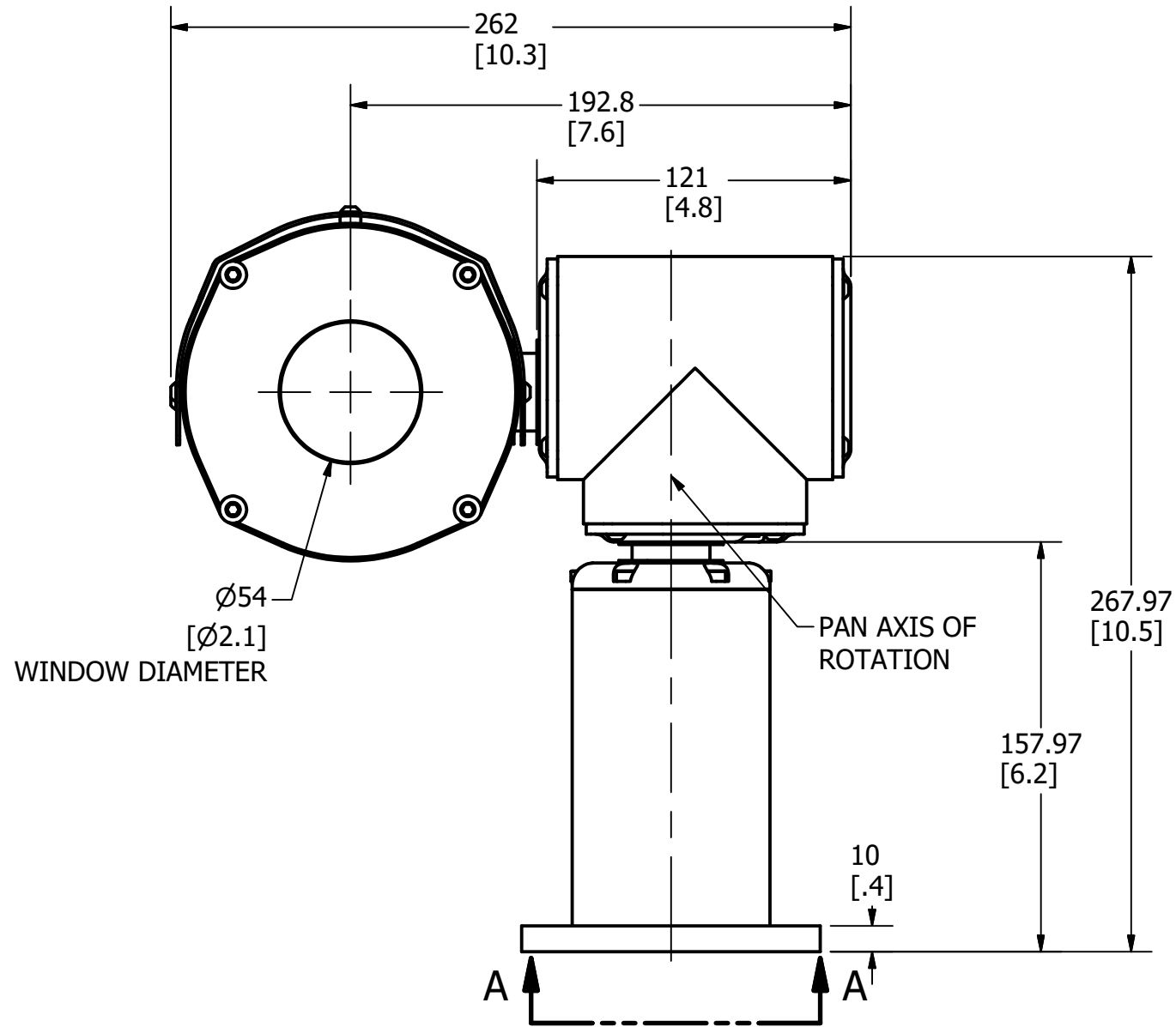
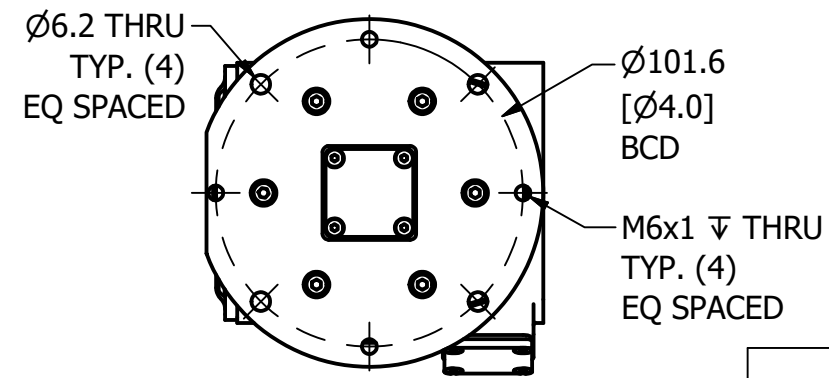


TABLE	
SPECIFICATION	VALUE
PAN GEARBOX SPEED (MAX)	24°/Sec
TILT GEARBOX SPEED (MAX)	24°/Sec
PAN RANGE	CONTINUOUS
TILT RANGE	±90°
BACKLASH	0.15°
REPEATABILITY	<0.3°
INGRESS PROTECTION	IP68
TEMPRATURE RANGE	-20°C to +50°C
POWER INPUT	24vDC (STANDARD)
MAX CURRENT DRAW	3.00 A
PROTOCOL	PELCO D
ABSOLUTE POSITIONING	YES
POSITIONAL FEEDBACK	YES
APPLICATION	VEHICLE
VIDEO	3GSDI



TOP LEVEL PART NUMBERS	
PART NUMBER	DESCRIPTION
5876201	PositionIT PTZ Camera, Black
5876202	PositionIT PTZ Camera, White

MATERIAL ALUMINIUM BODY & SSTL HARDWARE	UNLESS OTHERWISE SPECIFIED DIMENSIONS ARE IN MILLIMETERS [ALTERNATE UNITS IN INCHES]	PROPRIETARY AND CONFIDENTIAL THE INFORMATION CONTAINED IN THIS DRAWING IS THE SOLE PROPERTY OF THE WILL-BURT COMPANY. ANY REPRODUCTION IN PART OR WHOLE WITHOUT THE WRITTEN PERMISSION OF THE WILL-BURT COMPANY IS PROHIBITED.		WILL-BURT UNITED KINGDOM		
				TITLE CUSTOMER DRAWING PositionIT PTZ Camera		
FINISH	ALL DIMENSIONS AND PERFORMANCE PARAMETERS ARE PROVIDED FOR REFERENCE ONLY AND ARE SUBJECT TO CHANGE WITHOUT NOTICE. ALTERNATIVE FINISH OPTIONS AVAILABLE UPON REQUEST	APPROVALS	DATE	SIZE	DWG NO	REV
APPROX. WT: 6.3kg THIRD ANGLE PROJECTION		DRAWN AD	16/12/2022	A3	58762	2
		CHECKED AH	16/12/2022	PN	SEE P/N TABLE	SHEET 2 OF 2
			SCALE: NONE			