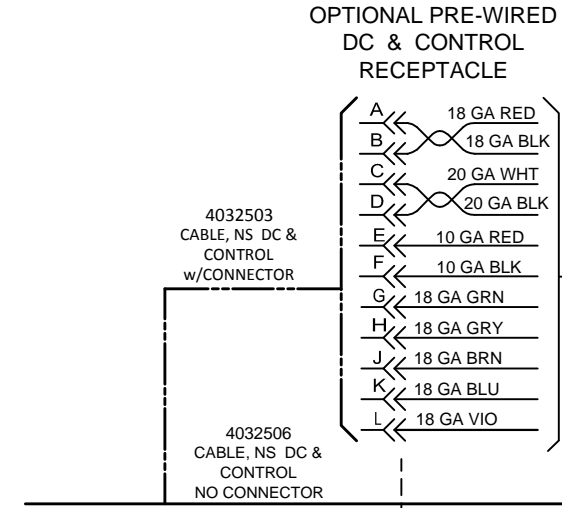
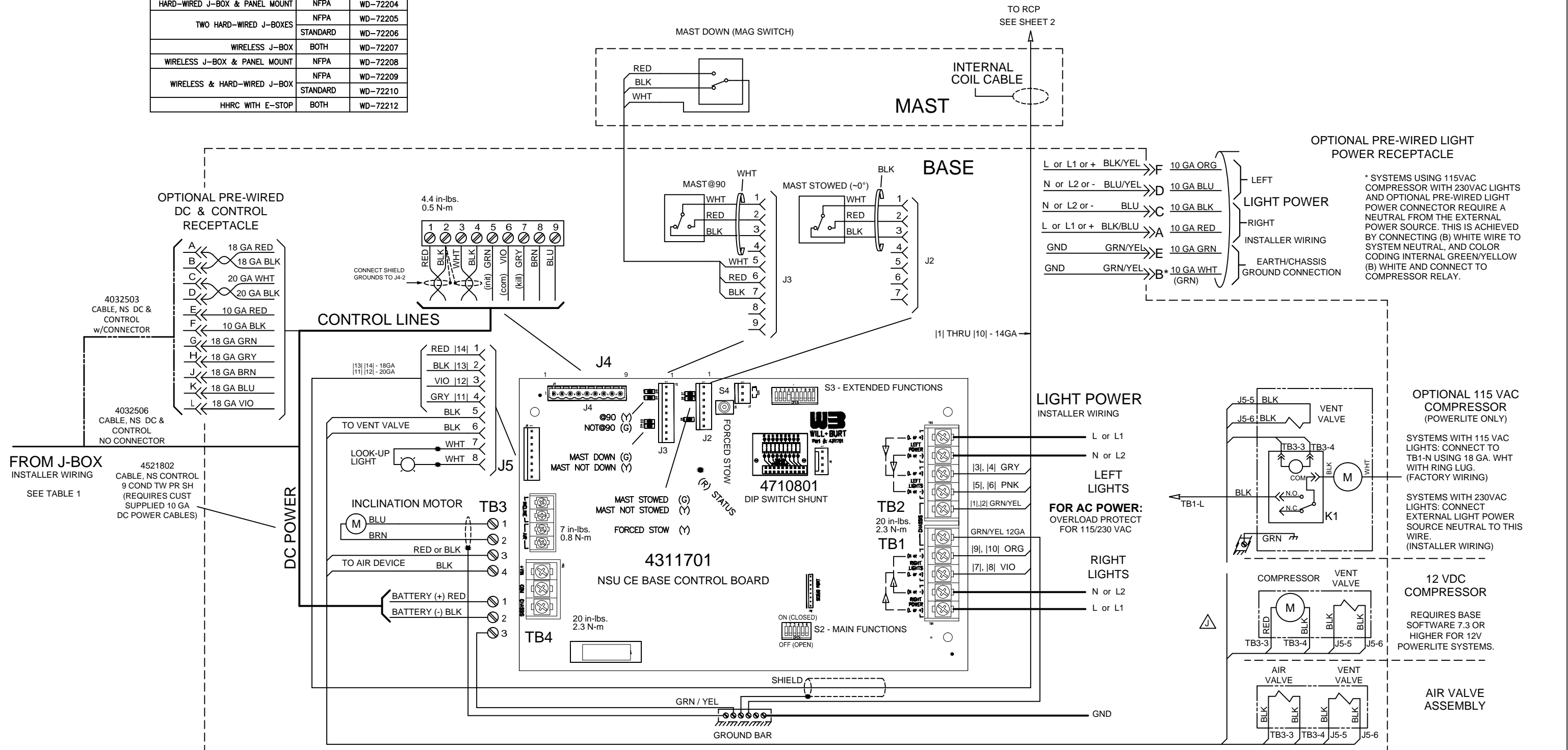


TABLE 1 - CONTROLLER WIRING

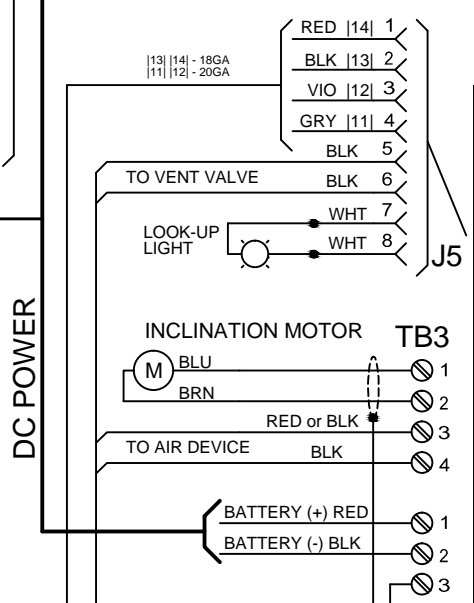
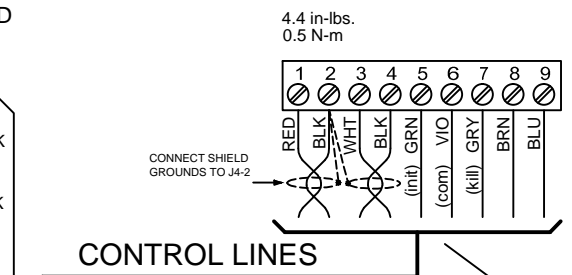
APPLICATION	TYPE	DRAWING
SINGLE HARD-WIRED PANEL MOUNT	NFPA	WD-72201
SINGLE HARD-WIRED J-BOX	NFPA	WD-72202
	STANDARD	WD-72203
HARD-WIRED J-BOX & PANEL MOUNT	NFPA	WD-72204
	NFPA	WD-72205
TWO HARD-WIRED J-BOXES	NFPA	WD-72206
	STANDARD	WD-72206
WIRELESS J-BOX	BOTH	WD-72207
WIRELESS J-BOX & PANEL MOUNT	NFPA	WD-72208
	NFPA	WD-72209
WIRELESS & HARD-WIRED J-BOX	NFPA	WD-72210
	STANDARD	WD-72210
HHRC WITH E-STOP	BOTH	WD-72212

REVISIONS				
ECN	REV	DESCRIPTION	DATE	BY/APPVL
11700	G	ADD WIRING DETAILS FOR VARIOUS VOLTAGE CAMERAS	07-16-13	DJB/JLK
11808	H	ADD WIRING DETAILS FOR SIGNAL SHIELDS	10-03-13	DJB/JLK
12247	J	ADD WIRING DETAILS FOR 12V COMPRESSOR	06-19-14	DJB/AW



FROM J-BOX
INSTALLER WIRING
SEE TABLE 1

4521802
CABLE, NS CONTROL
9 COND TW PR SH
(REQUIRES CUST
SUPPLIED 10 GA
DC POWER CABLES)



AWG	in-lbs.
14-10 CU	20
12-10 AL	20
(2)14, 12 CU	25
(2)12, 10 AL	25
8	25
6 - 4	35

BASE DIP SWITCH S2: MAIN FUNCTIONS

POS	OFF (OPEN)	ON (CLOSED)
1	J4 8,9 CLOSED WHEN NESTED	J4 8,9 OPEN WHEN NESTED
2	NFPA MODE	STANDARD
3	RCP	NO RCP
4	ROOF MOUNT	VERTICAL
5	UNUSED	UNUSED
6	NORMAL	DO NOT USE

BASE DIP SWITCH S3: EXTENDED FUNCTIONS

POS	OFF (OPEN)	ON (CLOSED)
1	NO D-TEC	D-TEC PRESENT
2	NO WELL COVER/HATCH	WELL COVER/HATCH PRESENT
3	-	-
4	-	DEFAULT
5-10	-	-

MATERIAL
NS Universal.DWG

FINISH

UNLESS OTHERWISE SPECIFIED DIMENSIONS ARE IN INCHES

TOLERANCES ON DECIMALS ANGLES
0 = ± 1/2"
00 = ±
000 = ±

FRACTIONS ±
BREAK ALL SHARP CORNERS
7/32" ON ALL MACHINED SURFACES

THIS DOCUMENT CONTAINS PROPRIETARY INFORMATION AND SHALL NOT BE USED OR REPRODUCED OR ITS CONTENTS DISCLOSED IN WHOLE OR IN PART, WITHOUT THE PRIOR WRITTEN CONSENT OF THE WILL-BURT COMPANY.

FOR LOGISTICAL SUPPORT ONLY

SIGNATURE	DATE
DR. BY DJB	02-12-13
CK. BY JA	02-12-13
APP. BY JA	02-12-13

WILL-BURT AN EMPLOYEE OWNED COMPANY
ORRVILLE, OHIO

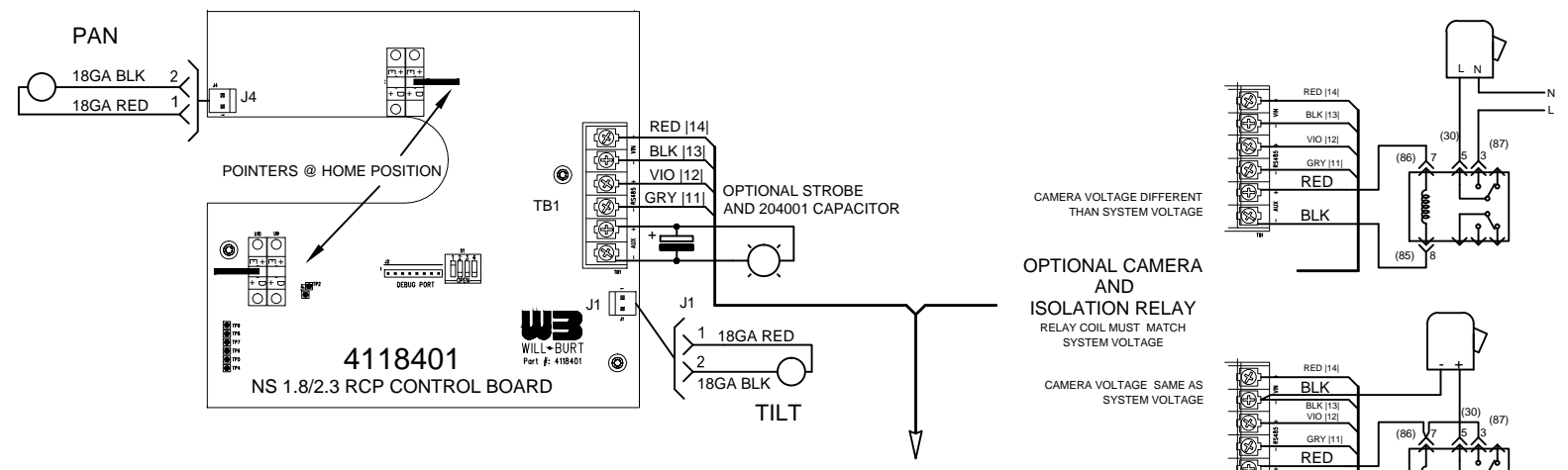
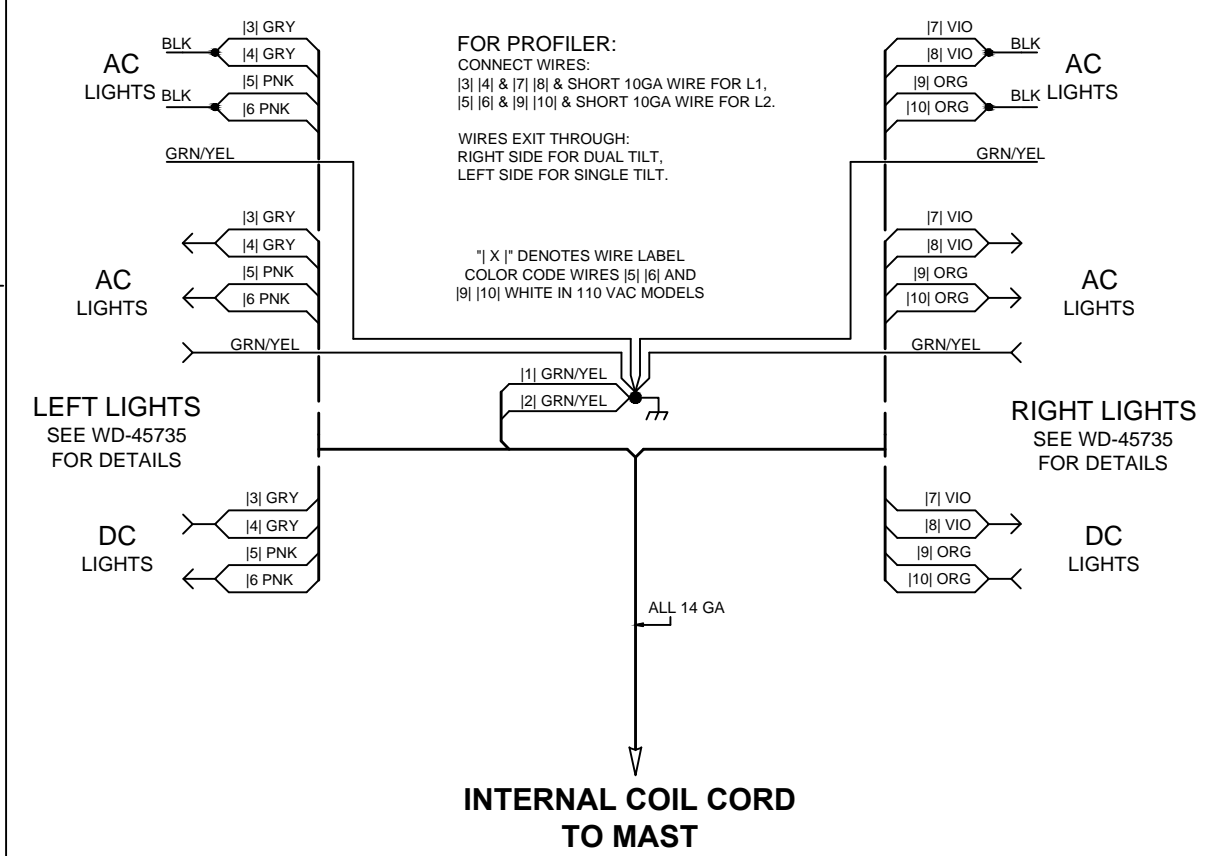
NightScan Powerlite roof-mount
WITH 4311701 UNIVERSAL CONTROL
BASE WIRING

SIZE	DWG. No.
B	WD-46276

SCALE NTS SHEET 1 OF 2

REVISIONS				
ECN	REV	DESCRIPTION	DATE	BY/APPVL
11700	G	ADD WIRING DETAILS FOR VARIOUS VOLTAGE CAMERAS	07-16-13	DJB/JLK
11808	H	ADD WIRING DETAILS FOR SIGNAL SHIELDS	10-03-13	DJB/JLK
12247	J	ADD WIRING DETAILS FOR 12V COMPRESSOR	06-19-14	DJB/AW

LIGHT POWER WIRING

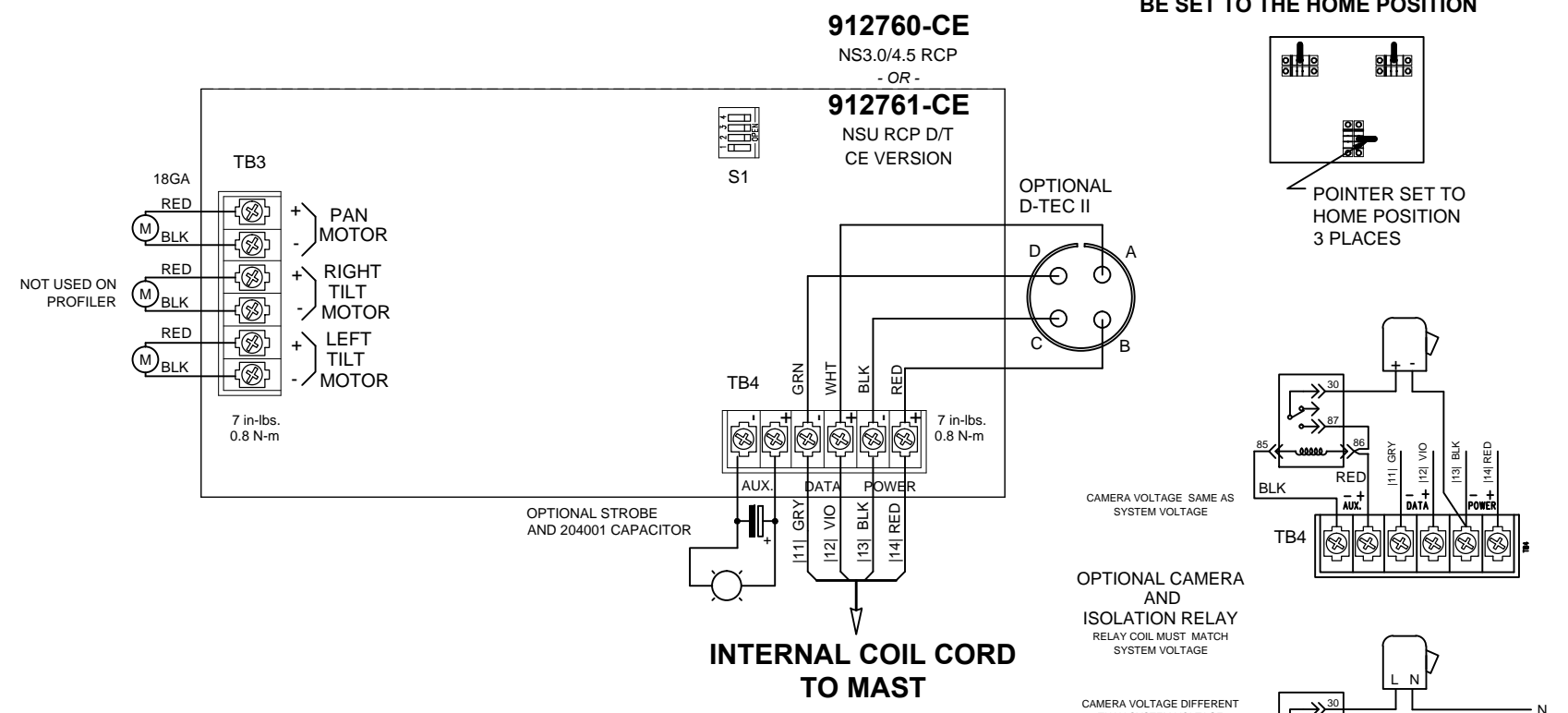


RCP DIP SWITCH S1

POS	OPEN	CLOSED
1	STOP ON FAULT	STOW ON FAULT
2	RCP	POSITIONER
3	STOW WHILE LOWERING	STOW BEFORE LOWERING
4	UNUSED	UNUSED

SINGLE-TILT RCP

INTERNAL COIL CORD TO MAST



DUAL-TILT RCP

INTERNAL COIL CORD TO MAST

MATERIAL NS Universal.DWG	UNLESS OTHERWISE SPECIFIED DIMENSIONS ARE IN INCHES TOLERANCES ON: DECIMALS ± 0 = ± 1/2" 00 = ± 000 = ± FRACTIONS ± BREAK ALL SHARP CORNERS 7/32" ON ALL MACHINED SURFACES	THIS DOCUMENT CONTAINS PROPRIETARY INFORMATION AND SHALL NOT BE USED OR REPRODUCED OR ITS CONTENTS DISCLOSED IN WHOLE OR IN PART WITHOUT THE PRIOR WRITTEN CONSENT OF THE WILL-BURT COMPANY. FOR LOGISTICAL SUPPORT ONLY SIGNATURE DATE DR. BY DJB CK. BY JMK APP. BY	AN EMPLOYEE OWNED COMPANY ORRVILLE, OHIO	
			NightScan Powerlite roof-mount WITH 4311701 UNIVERSAL CONTROL RCP WIRING	
FINISH		SIZE B	DWG. No. WD-46276	SHEET 2 OF 2