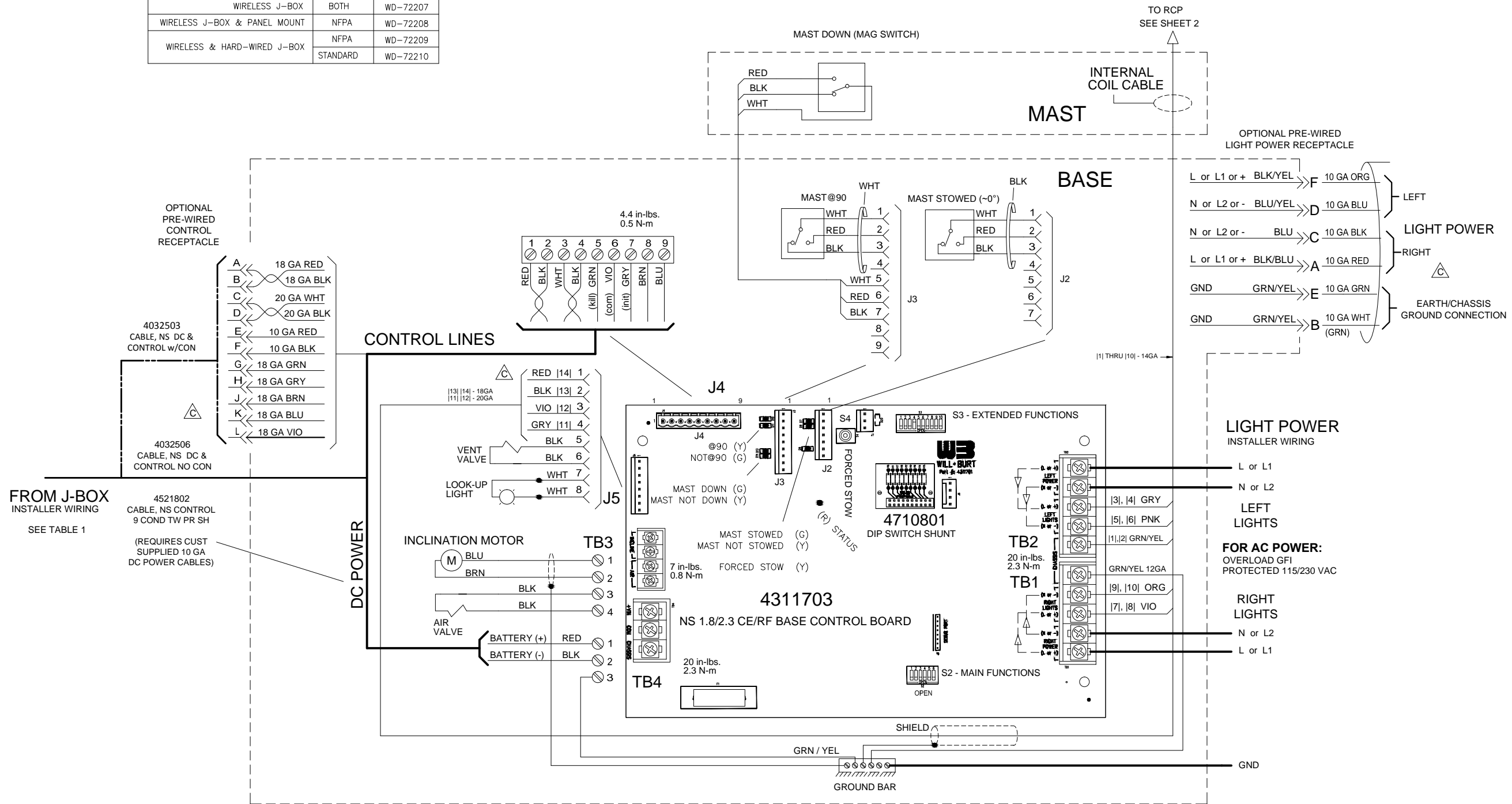


TABLE 1 - CONTROLLER WIRING

APPLICATION	TYPE	DRAWING
SINGLE HARD-WIRED PANEL MOUNT	NFPA	WD-72201
SINGLE HARD-WIRED J-BOX	NFPA	WD-72202
	STANDARD	WD-72203
HARD-WIRED J-BOX & PANEL MOUNT	NFPA	WD-72204
TWO HARD-WIRED J-BOXES	NFPA	WD-72205
	STANDARD	WD-72206
WIRELESS J-BOX	BOTH	WD-72207
WIRELESS J-BOX & PANEL MOUNT	NFPA	WD-72208
WIRELESS & HARD-WIRED J-BOX	NFPA	WD-72209
	STANDARD	WD-72210

REVISIONS				
ECN	REV	DESCRIPTION	DATE	BY/APPVL
10617	00	INITIAL RELEASE	10-11-11	DJB/JMK
10828	A	ADD POWER INVERTER OPTION WIRING	12-15-11	DJB/JMK
10971	B	CHG PROX SWITCHES TO MAG SWITCHES	03-07-12	DJB/JMK
11224	C	ADD OPTIONAL RECEPTACLES, COLOR TO WIRES [11]-[14], SINGLE-TILT RCP, UPDATE LIGHT POWER WIRING.	08-28-12	DJB/JMK



FROM J-BOX
INSTALLER WIRING
SEE TABLE 1

4521802
CABLE, NS CONTROL
9 COND TW PR SH
(REQUIRES CUST
SUPPLIED 10 GA
DC POWER CABLES)

AWG	in-lbs.
14-10 CU	20
12-10 AL	20
(2)14, 12 CU	25
(2)12, 10 AL	25
8	25
6 - 4	35

BASE DIP SWITCH S2: MAIN FUNCTIONS

POS	OFF (OPEN)	ON (CLOSED)
1	J4 8,9 CLOSED WHEN NESTED	J4 8,9 OPEN WHEN NESTED
2	NFPA MODE	STANDARD
3	RCP	NO RCP
4	ROOF MOUNT	VERTICAL
5	UNUSED	UNUSED
6	NORMAL	DO NOT USE

BASE DIP SWITCH S3: EXTENDED FUNCTIONS

POS	OFF (OPEN)	ON (CLOSED)
1	NO D-TEC	D-TEC PRESENT
2	NO WELL COVER/HATCH	WELL COVER/HATCH PRESENT
3	-	-
4	-	DEFAULT
5-10	-	-

MATERIAL
NS Universal.DWG

FINISH

UNLESS OTHERWISE SPECIFIED
DIMENSIONS ARE IN INCHES

TOLERANCES ON:
DECIMALS ANGLES
0 = ± 1/2"
00 = ±
000 = ±

FRACTIONS ±
BREAK ALL SHARP CORNERS
1/25" ON ALL MACHINED SURFACES

THIS DOCUMENT CONTAINS
PROPRIETARY INFORMATION
AND SHALL NOT BE USED OR
REPRODUCED OR ITS CONTENTS
DISCLOSED IN WHOLE OR IN
PART, WITHOUT THE PRIOR
WRITTEN CONSENT OF THE
WILL-BURT COMPANY.

FOR LOGISTICAL SUPPORT ONLY

SIGNATURE DATE
DR. BY DJB -
CK. BY JMK -
APP. BY

W3 AN EMPLOYEE OWNED COMPANY
ORRVILLE, OHIO

WILL-BURT

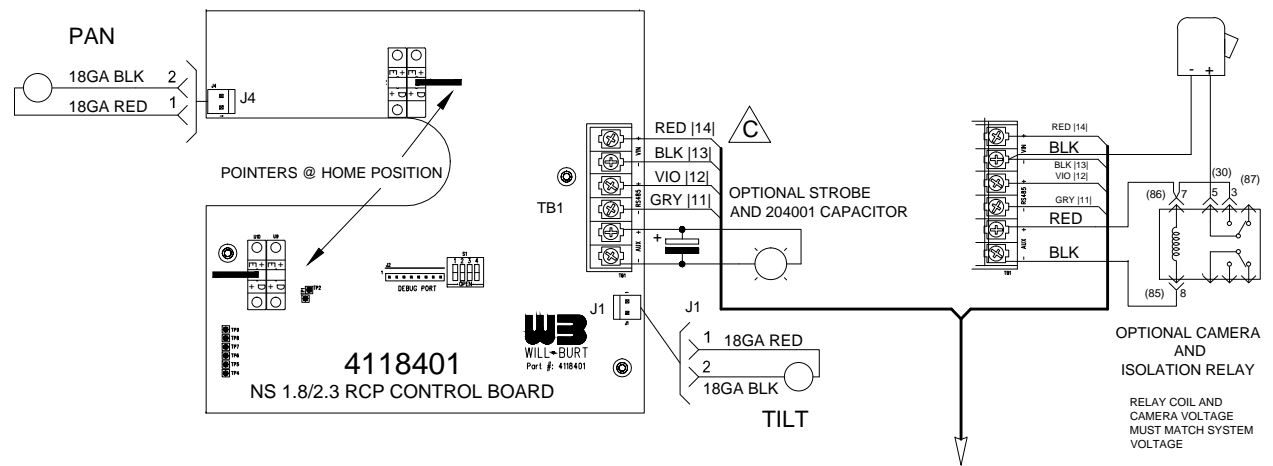
NEXT ASS'Y

DESC. NightScan Powerlite
WITH 4311703 UNIVERSAL CONTROL
CONTROL WIRING - NO COMPRESSOR

SIZE DWG. No. **B** WD-46276

SCALE NTS SHEET 1 OF 2

REVISIONS				
ECN	REV	DESCRIPTION	DATE	BY/APPVL
10617	00	INITIAL RELEASE	10-11-11	DJB/JMK
10828	A	ADD POWER INVERTER OPTION WIRING	12-15-11	DJB/JMK
10971	B	CHG PROX SWITCHES TO MAG SWITCHES	03-07-12	DJB/JMK
11224	C	ADD OPTIONAL RECEPTACLES, COLOR TO WIRES [11]-[14], SINGLE-TILT RCP, UPDATE LIGHT POWER WIRING.	08-28-12	DJB/JMK



SINGLE-TILT RCP

RCP DIP SWITCH S1

POS	OPEN	CLOSED
1	STOP ON FAULT	STOW ON FAULT
2	RCP	POSITIONER
3	STOW WHILE LOWERING	STOW BEFORE LOWERING
4	UNUSED	UNUSED

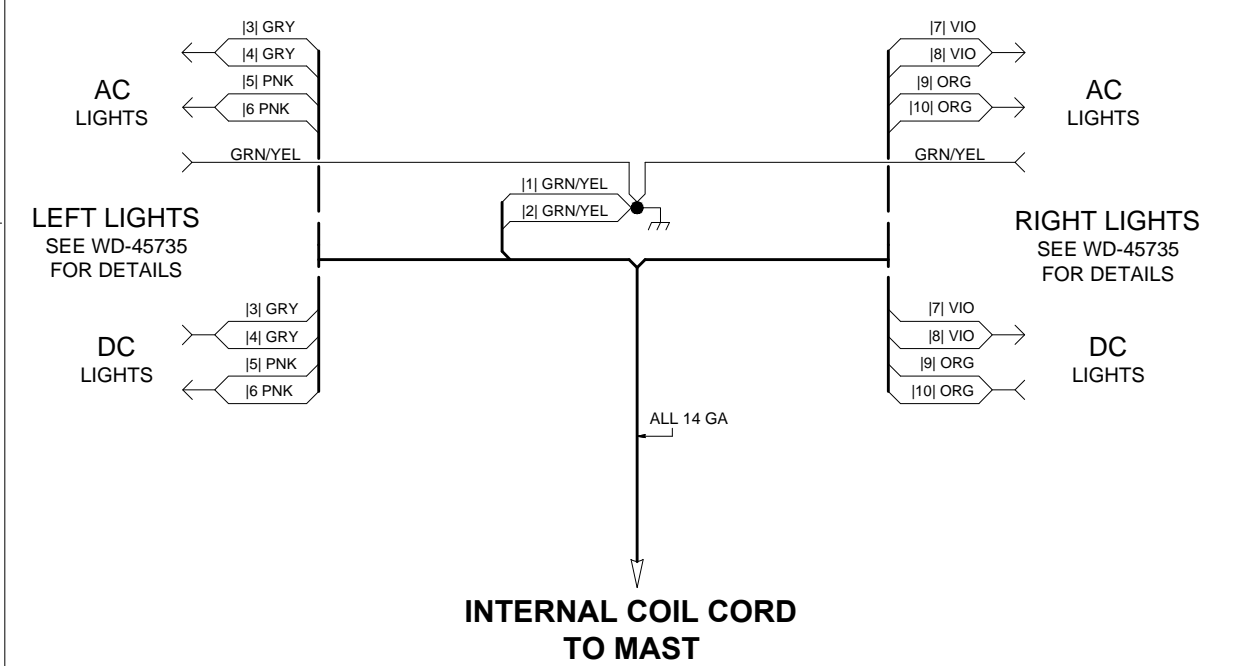
LIGHT POWER WIRING

FOR PROFILER:
CONNECT WIRES:

[3] [4] & [7] [8] & SHORT 10GA WIRE FOR L1,
[5] [6] & [9] [10] & SHORT 10GA WIRE FOR L2.

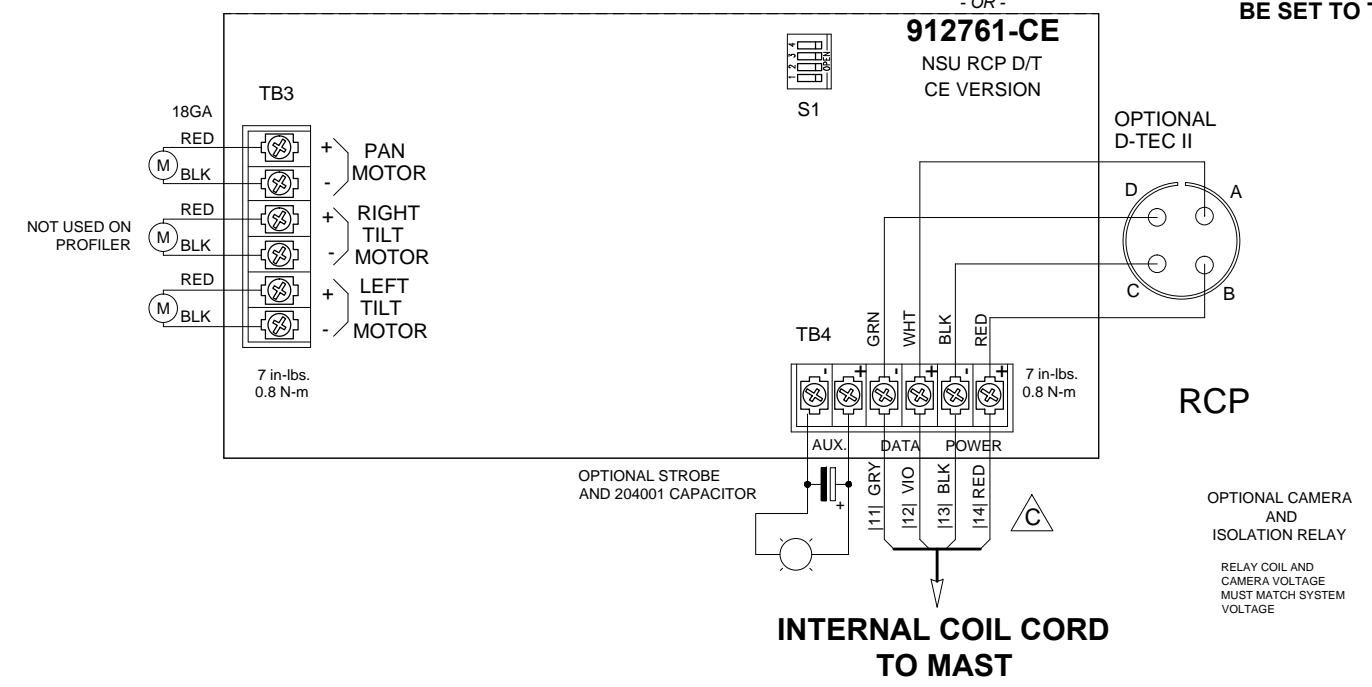
WIRES EXIT THROUGH:
RIGHT SIDE FOR DUAL TILT,
LEFT SIDE FOR SINGLE TILT.

"X" DENOTES WIRE LABEL
COLOR CODE WIRES [5] [6] AND
[9] [10] WHITE IN 110 VAC MODELS



912760-CE

NS3.0/4.5 RCP
- OR -
912761-CE
NSU RCP D/T
CE VERSION

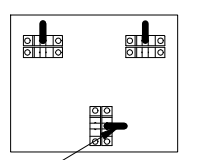


DUAL-TILT RCP

RCP DIP SWITCH S1

POS	OPEN	CLOSED
1	STOP ON FAULT	STOW ON FAULT
2	NOT PROFILER	PROFILER
3	UNUSED	UNUSED
4	UNUSED	UNUSED

POINTERS ON THE TIMING RINGS MUST
BE SET TO THE HOME POSITION



MATERIAL NS Universal.DWG	UNLESS OTHERWISE SPECIFIED DIMENSIONS ARE IN INCHES TOLERANCES ON: DECIMALS ANGLES 0 = ± 1/2" 00 = ± 000 = ±	THIS DOCUMENT CONTAINS PROPRIETARY INFORMATION AND SHALL NOT BE USED OR REPRODUCED OR ITS CONTENTS DISCLOSED IN WHOLE OR IN PART, WITHOUT THE PRIOR WRITTEN CONSENT OF THE WILL-BURT COMPANY.	WB WILL-BURT AN EMPLOYEE OWNED COMPANY ORRVILLE, OHIO
FINISH	FRACTIONS ± BREAK ALL SHARP CORNERS 1/25" ON ALL MACHINED SURFACES	FOR LOGISTICAL SUPPORT ONLY SIGNATURE DATE DR. BY DJB CK. BY JMK APP. BY	NEXT ASSY DESC. NightScan Powerlite WITH 4311703 UNIVERSAL CONTROL CONTROL WIRING - NO COMPRESSOR SIZE DWG. No. B WD-46276 SCALE NTS SHEET 2 OF 2