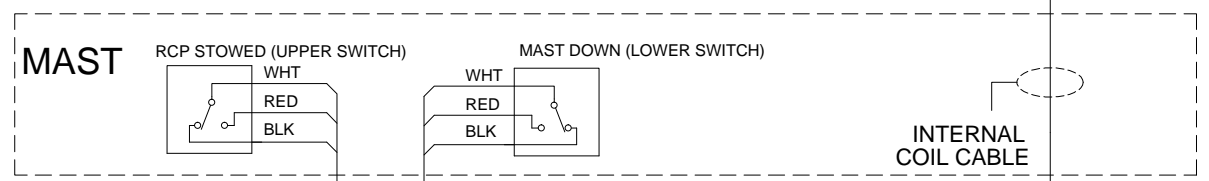
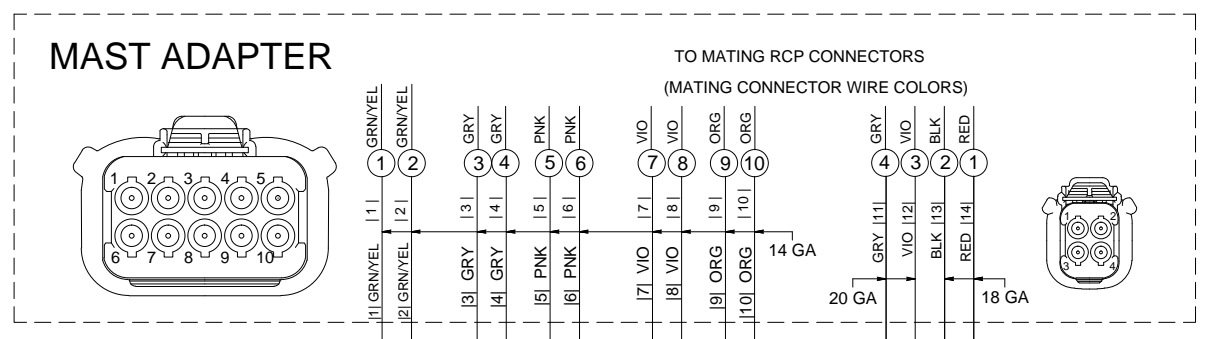


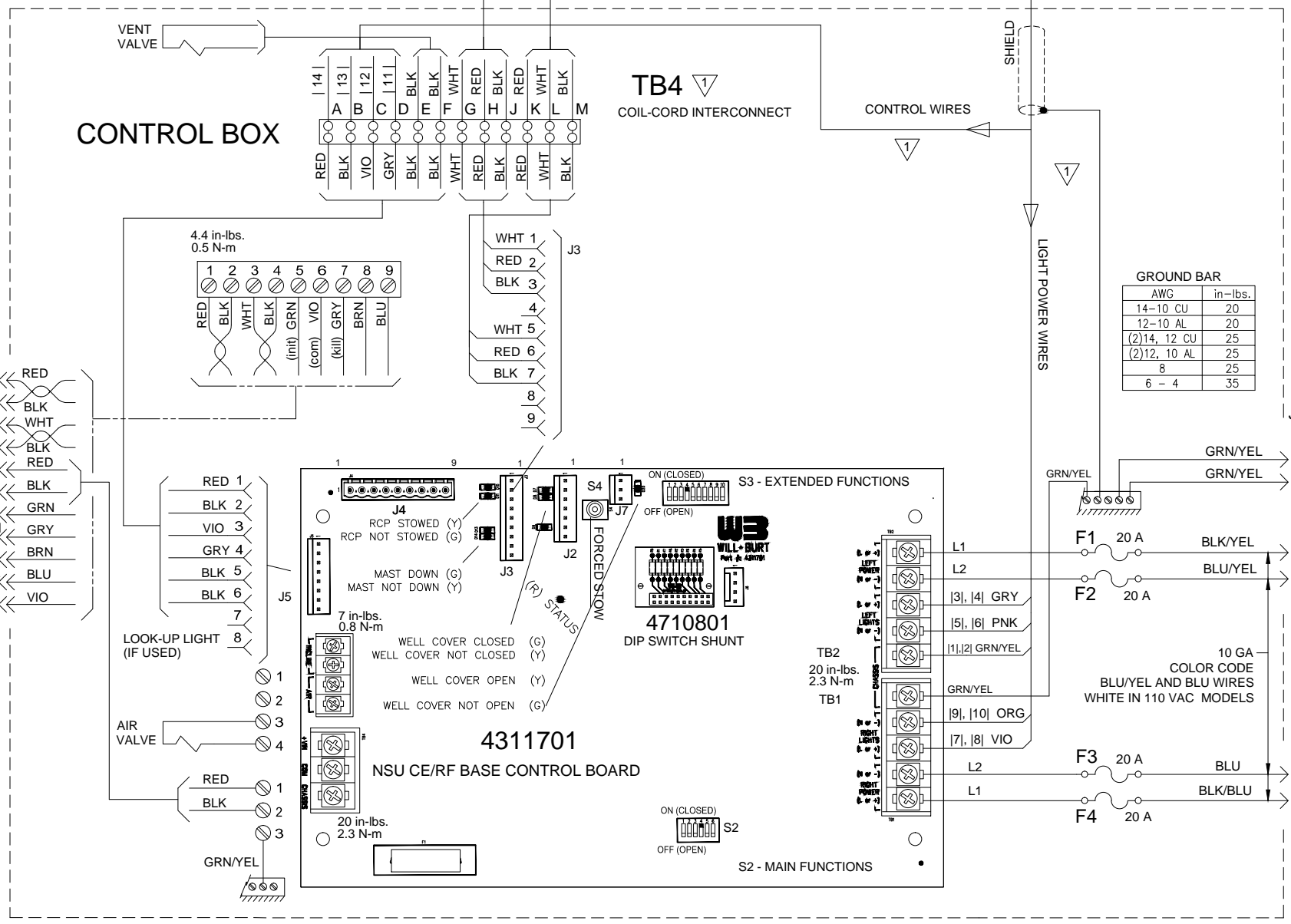
| REVISIONS | | | | |
|-----------|-----|--|----------|----------|
| ECN | REV | DESCRIPTION | DATE | BY/APPVL |
| 11169 | 00 | NEW RELEASE | 08-02-12 | DJB/JMK |
| 11485 | A | CORRECT (kill) AND (init) REFERENCES | 02-18-13 | DJB/JA |
| 11683 | B | ADD WIRING DETAILS FOR 'HARD-WIRED' LIGHTS | 07-08-13 | DJB/JLK |
| 11700 | C | ADD WIRING DETAILS FOR VARIOUS VOLTAGE CAMERAS | 07-16-13 | DJB/JLK |



NOTES:
1. INSTALLER CONNECTIONS.

TABLE 1
JUNCTION BOX WIRING

| APPLICATION | TYPE | DRAWING |
|-------------------------------|----------|----------|
| SINGLE HARD-WIRED PANEL MOUNT | NFPA | WD-72021 |
| SINGLE HARD-WIRED J-BOX | NFPA | WD-72022 |
| | STANDARD | WD-72023 |
| TWO HARD-WIRED J-BOXES | NFPA | WD-72025 |
| | STANDARD | WD-72026 |



CONTROL LINES, DC POWER
SEE TABLE 1

GROUND BAR

| AWG | in-lbs. |
|--------------|---------|
| 14-10 CU | 20 |
| 12-10 AL | 20 |
| (2)14, 12 CU | 25 |
| (2)12, 10 AL | 25 |
| 8 | 25 |
| 6 - 4 | 35 |

MATING CONNECTOR
MS3106E24-10SF80A206
OR EQUIVALENT
WILL-BURT 913314 6 COND. CABLE OR EQUIVALENT

POWER IN LIGHT POWER CONNECTIONS
FOR AC POWER:
OVERLOAD GFI PROTECTED 115/230 VAC
FOR DC POWER:
OVERLOAD PROTECTED 12/24 VDC

BASE DIP SWITCH S3: EXTENDED FUNCTIONS

| POS | OFF (OPEN) | ON (CLOSED) |
|------|---------------------|--------------------------|
| 1 | NO D-TEC | D-TEC PRESENT |
| 2 | NO WELL COVER/HATCH | WELL COVER/HATCH PRESENT |
| 3 | - | - |
| 4 | - | DEFAULT |
| 5-10 | - | - |

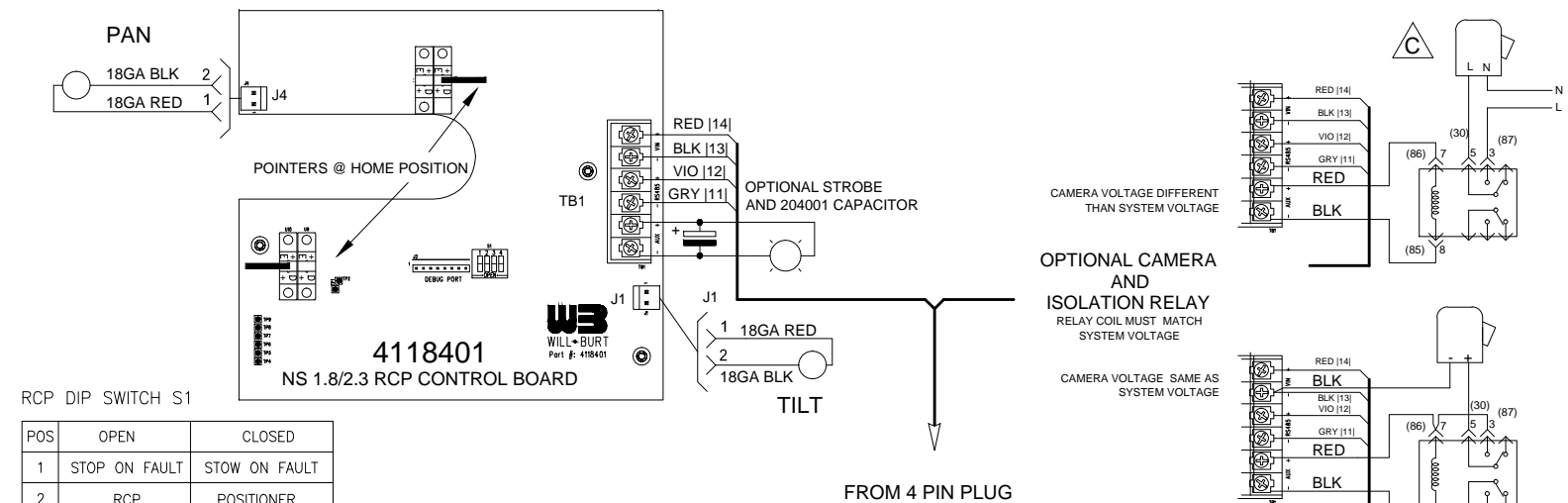
BASE DIP SWITCH S2: MAIN FUNCTIONS

| POS | OFF (OPEN) | ON (CLOSED) |
|-----|---------------------------|-------------------------|
| 1 | J4 8,9 CLOSED WHEN NESTED | J4 8,9 OPEN WHEN NESTED |
| 2 | NFPA MODE | STANDARD |
| 3 | RCP | NO RCP |
| 4 | ROOF MOUNT | VERTICAL |
| 5 | UNUSED | UNUSED |
| 6 | NORMAL | DO NOT USE |

PLUG, 11 PIN, CA3106E24-20S-F80-A-206

| | | | |
|------------------------------|--|--|--|
| MATERIAL NS Universal.DWG | UNLESS OTHERWISE SPECIFIED DIMENSIONS ARE IN INCHES TOLERANCES ON: DECIMALS ± 1/2" 0 = ± 00 = ± 000 = ± FRACTIONS ± BREAK ALL SHARP CORNERS 1/25" ON ALL MACHINED SURFACES | THIS DOCUMENT CONTAINS PROPRIETARY INFORMATION AND SHALL NOT BE USED OR REPRODUCED OR ITS CONTENTS DISCLOSED IN WHOLE OR IN PART, WITHOUT THE PRIOR WRITTEN CONSENT OF THE WILL-BURT COMPANY. FOR LOGISTICAL SUPPORT ONLY SIGNATURE DATE DR. BY DJB CK. BY JN APP. BY | AN EMPLOYEE OWNED COMPANY ORRVILLE, OHIO NEXT ASSY DESC. NS UNIVERSAL VERTICAL WITH 4311703 CONTROL BASE WIRING SIZE B DWG. No. WD-43437 SCALE NTS SHEET 1 OF 2 |
|------------------------------|--|--|--|

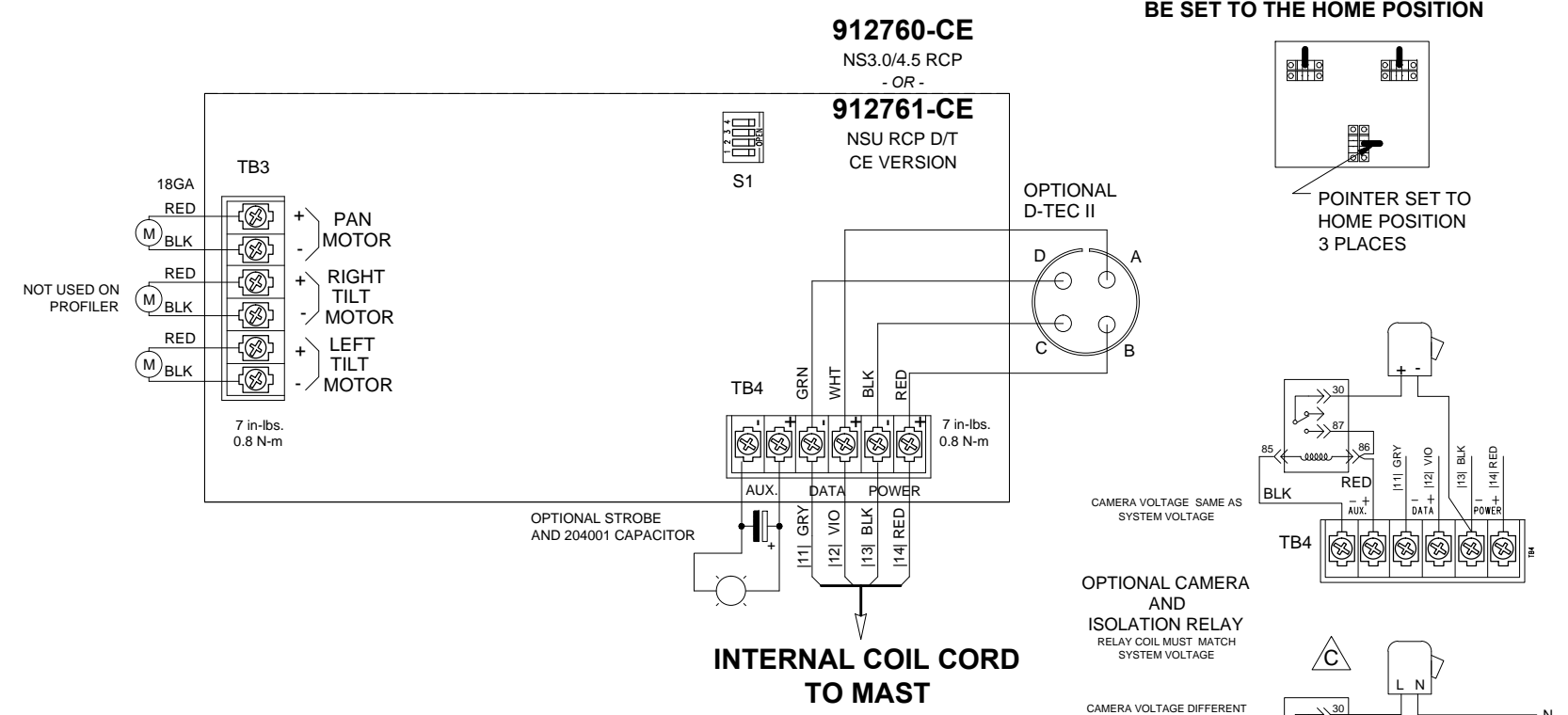
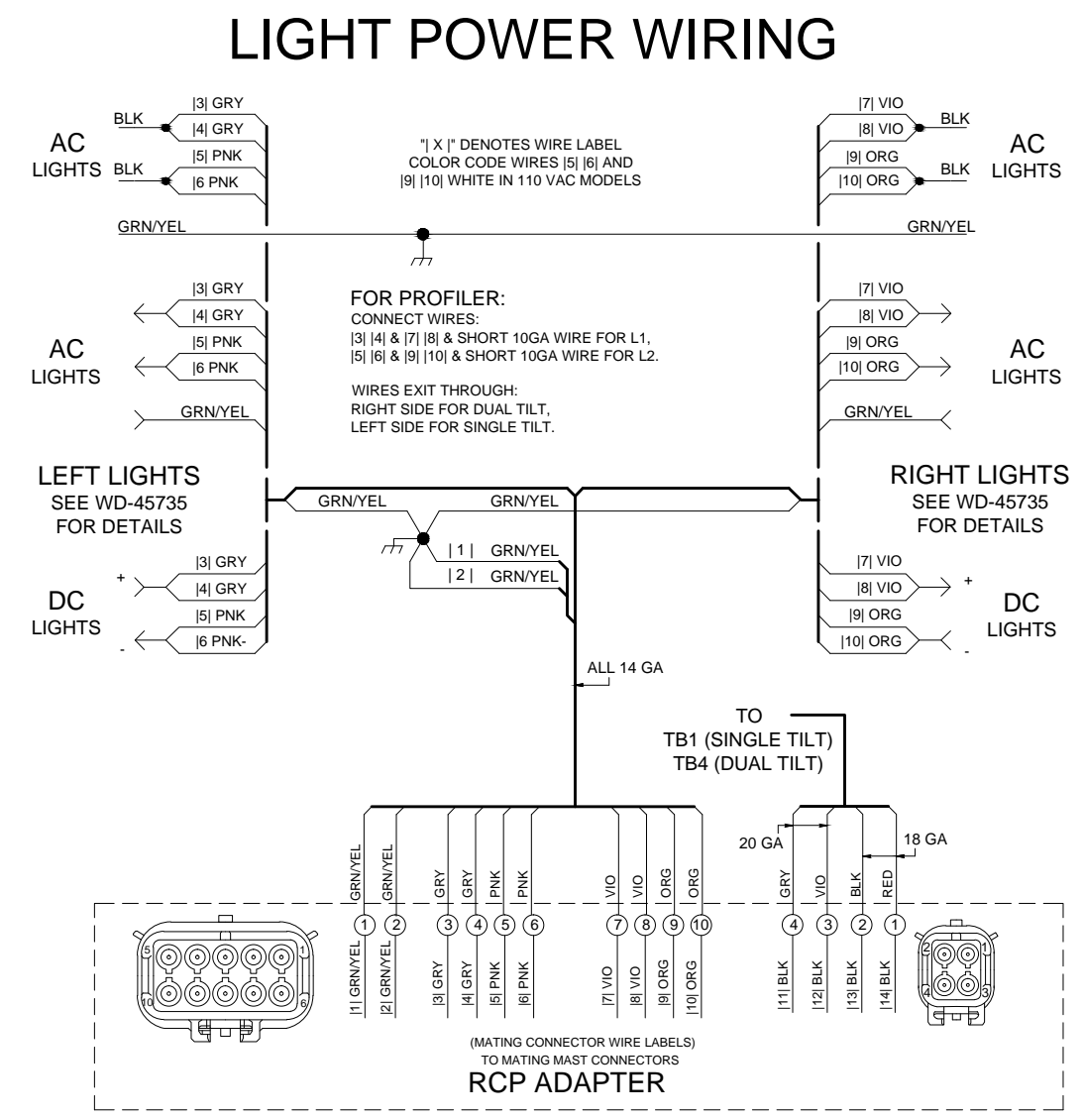
| REVISIONS | | | | |
|-----------|-----|--|----------|----------|
| ECN | REV | DESCRIPTION | DATE | BY/APPVL |
| 11169 | 00 | NEW RELEASE | 08-02-12 | DJB/JMK |
| 11485 | A | CORRECT (kill) AND (init) REFERENCES | 02-18-13 | DJB/JA |
| 11683 | B | ADD WIRING DETAILS FOR 'HARD-WIRED' LIGHTS | 07-08-13 | DJB/JLK |
| 11700 | C | ADD WIRING DETAILS FOR VARIOUS VOLTAGE CAMERAS | 07-16-13 | DJB/JLK |



RCP DIP SWITCH S1

| POS | OPEN | CLOSED |
|-----|---------------------|----------------------|
| 1 | STOP ON FAULT | STOW ON FAULT |
| 2 | RCP | POSITIONER |
| 3 | STOW WHILE LOWERING | STOW BEFORE LOWERING |
| 4 | UNUSED | UNUSED |

SINGLE-TILT RCP



RCP DIP SWITCH S1

| POS | OPEN | CLOSED |
|-----|---------------|---------------|
| 1 | STOP ON FAULT | STOW ON FAULT |
| 2 | NOT PROFILER | PROFILER |
| 3 | UNUSED | UNUSED |
| 4 | UNUSED | UNUSED |

DUAL-TILT RCP

| | | | |
|-------------------------------------|---|--|--|
| MATERIAL NS Universal.DWG | UNLESS OTHERWISE SPECIFIED DIMENSIONS ARE IN INCHES TOLERANCES ON: DECIMALS ANGLES 0 = ± 1/2" 00 = ± 000 = ± FRACTIONS ± BREAK ALL SHARP CORNERS 1/25" ON ALL MACHINED SURFACES | THIS DOCUMENT CONTAINS PROPRIETARY INFORMATION AND SHALL NOT BE USED OR REPRODUCED OR ITS CONTENTS DISCLOSED IN WHOLE OR IN PART, WITHOUT THE PRIOR WRITTEN CONSENT OF THE WILL-BURT COMPANY. FOR LOGISTICAL SUPPORT ONLY SIGNATURE DATE DR.BY DJB CK.BY JN APP.BY | WILL-BURT AN EMPLOYEE OWNED COMPANY ORRVILLE, OHIO NEXT ASS'Y DESC. NS UNIVERSAL VERTICAL WITH 4311703 CONTROL RCP WIRING SIZE DWG. No. WD-43437 SCALE NTS SHEET 2 OF 2 |
|-------------------------------------|---|--|--|