

REVISIONS				
ECN	REV	DESCRIPTION	DATE	BY/APPVL
11224	D	ADD COLORS TO WIRES [11]-[14].	08-28-12	DJB/JMK
11382	E	4846001 WAS 4118401-AP, POSITIONER WAS AP-25, NOW AP-30	12-05-12	DJB/JA
11427	F	UPDATE DIP SW 3 TABLE TO SHOW BASE 7.2 P-T 6.2	08-28-12	DJB/JA
11490	G	CORRECT (init) AND (kill) REFERENCES, UPDATE TABLE 1	02-20-13	DJB/JA

NOTES:
1. INSTALLER CONNECTIONS.

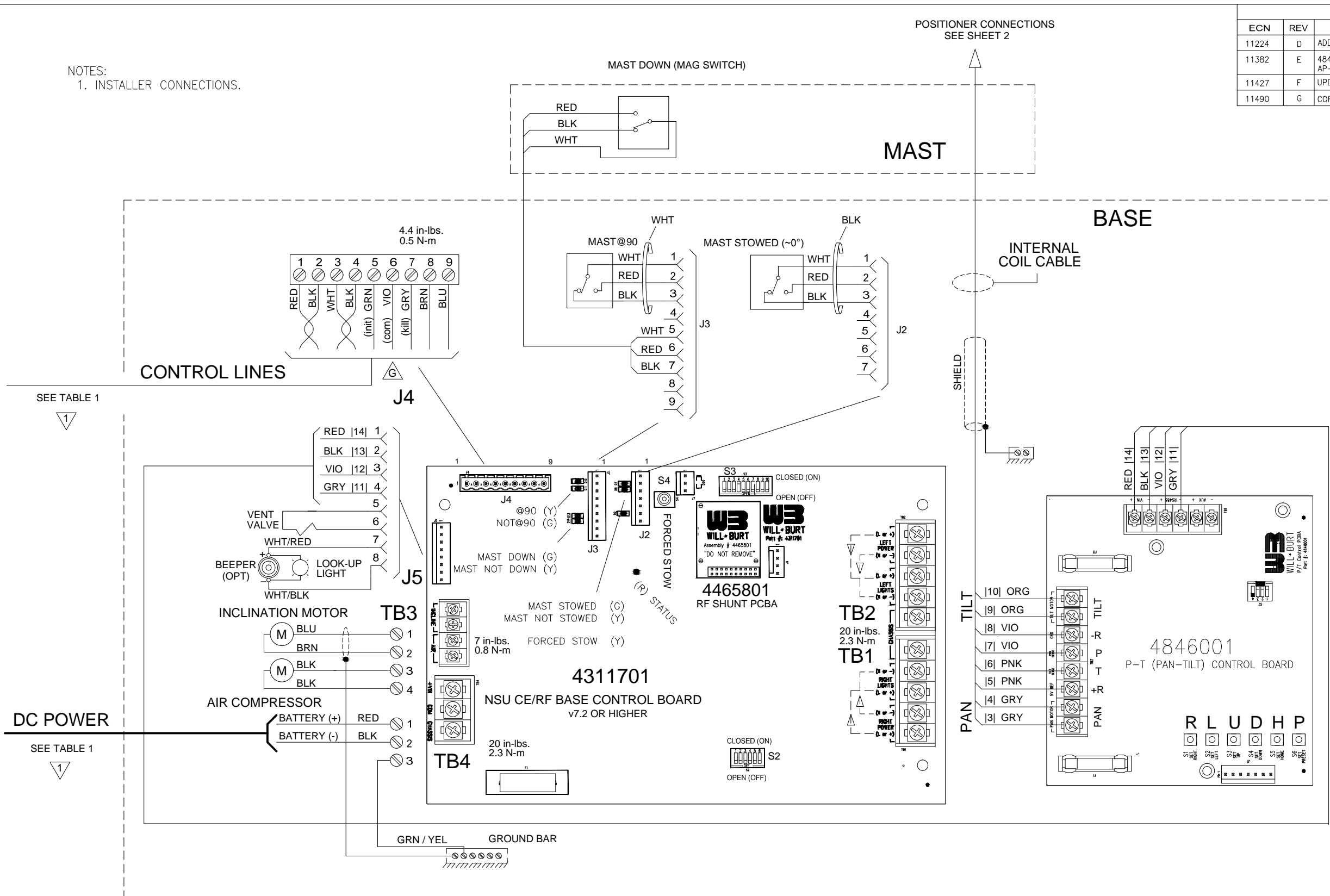


TABLE 1 - CONTROLLER WIRING

APPLICATION	TYPE	DRAWING
SINGLE HARD-WIRED PANEL MOUNT	NFPA	WD-72201
	STANDARD	WD-72202
SINGLE HARD-WIRED J-BOX	NFPA	WD-72203
	STANDARD	WD-72204
HARD-WIRED J-BOX & PANEL MOUNT	NFPA	WD-72205
	STANDARD	WD-72206
TWO HARD-WIRED J-BOXES	NFPA	WD-72206
HHRC WITH E-STOP	BOTH	WD-72212

AWG	in-lbs.
14-10 CU	20
12-10 AL	20
(2)14, 12 CU	25
(2)12, 10 AL	25
8	25
6 - 4	35

BASE DIP SWITCH S2

POS	OPEN	CLOSED
1	J4 8,9 CLOSED WHEN NESTED	J4 8,9 OPEN WHEN NESTED
2	NFPA MODE	STANDARD
3	RCP	NO RCP
4	ROOF MOUNT	VERTICAL
5	UNUSED	UNUSED
6	NORMAL	DO NOT USE

P-T DIP SWITCH S7

POS	OPEN	CLOSED
1	STOP ON FAULT	STOW ON FAULT
2	RCP	PROFILER
3	STOW WHILE LOWERING	STOW BEFORE LOWERING
4	RCP	POSITIONER

MATERIAL
NSC SYSTEM WIRING.DWG

FINISH

UNLESS OTHERWISE SPECIFIED DIMENSIONS ARE IN INCHES

TOLERANCES ON:
DECIMALS ANGLES
0 = ± ± 1/2°
00 = ±
000 = ±

FRACTIONS ±

BREAK ALL SHARP CORNERS
1/25" ON ALL MACHINED SURFACES

THIS DOCUMENT CONTAINS PROPRIETARY INFORMATION AND SHALL NOT BE USED OR REPRODUCED OR ITS CONTENTS DISCLOSED IN WHOLE OR IN PART, WITHOUT THE PRIOR WRITTEN CONSENT OF THE WILL-BURT COMPANY.

FOR LOGISTICAL SUPPORT ONLY

SIGNATURE	DATE
DR. BY DJB	-
CK. BY JN	-
APP. BY	

WILL-BURT AN EMPLOYEE OWNED COMPANY
ORRVILLE, OHIO

NEXT ASSY

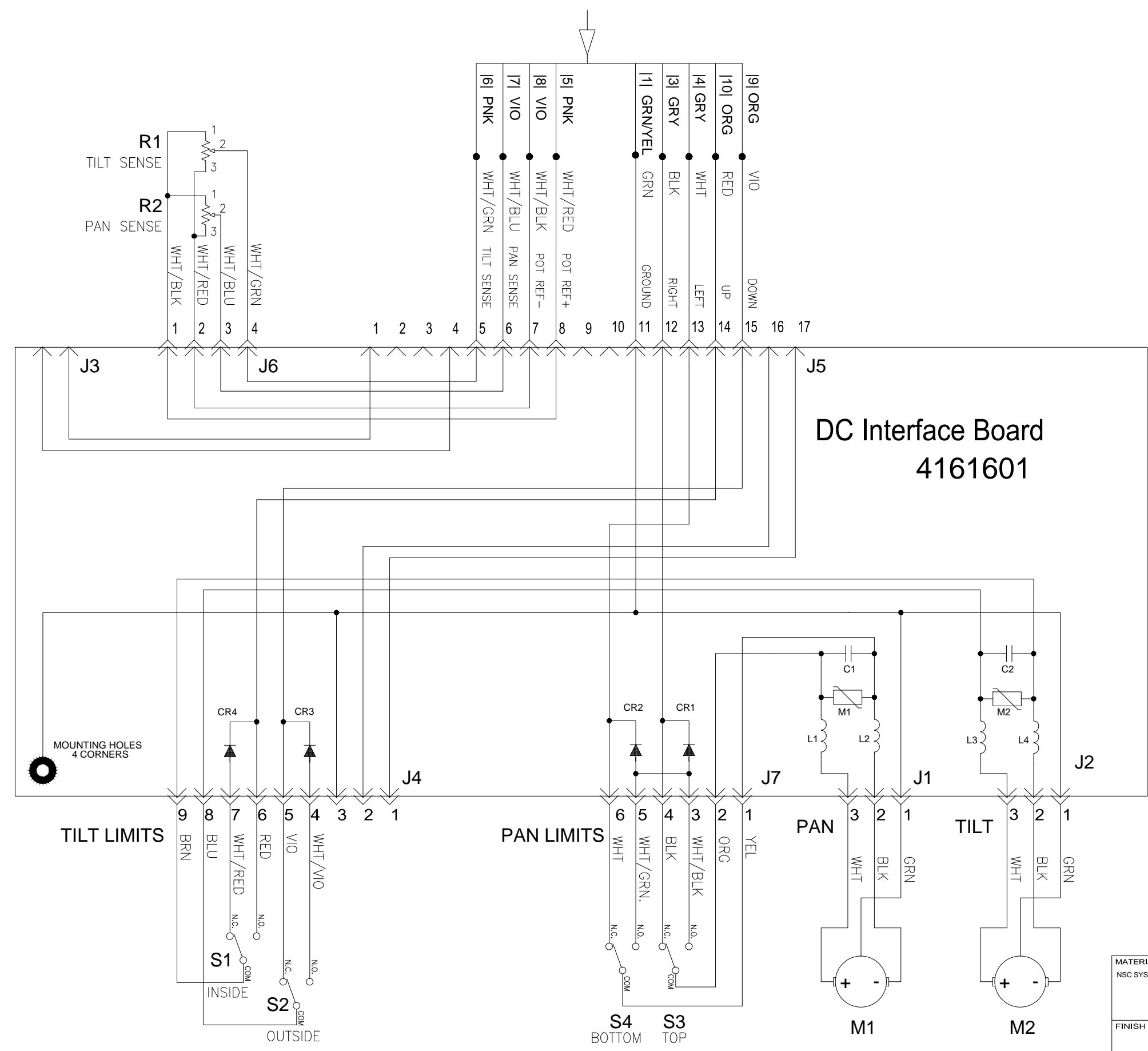
DESC. NIGHTSCAN 1.8 / 2.3
WITH 4311701-CE/RF CONTROL
AND POSITIONER

SIZE	DWG. No.
B	46066AP

SCALE NTS SHEET 1 OF 2

REVISIONS				
ECN	REV	DESCRIPTION	DATE	BY/APPVL
11224	D	ADD COLORS TO WIRES [11]-[14].	08-28-12	DJB/JMK
11382	E	4846001 WAS 4118401-AP, POSITIONER WAS AP-25, NOW AP-30	12-05-12	DJB/JA
11427	F	UPDATE DIP SW 3 TABLE TO SHOW BASE 7.2 P-T 6.2	08-28-12	DJB/JA
11490	G	CORRECT (init) AND (kill) REFERENCES, UPDATE TABLE 1	02-20-13	DJB/JA

SEE SHEET 1
FROM POSITIONER DRIVE BOARD



MATERIAL NSC SYSTEM WIRING.DWG	UNLESS OTHERWISE SPECIFIED DIMENSIONS ARE IN INCHES TOLERANCES ON: DECIMALS ANGLES 0 = ± ± 1/2° 00 = ± 000 = ± FRACTIONS ± BREAK ALL SHARP CORNERS 1/25" ON ALL MACHINED SURFACES	THIS DOCUMENT CONTAINS PROPRIETARY INFORMATION AND SHALL NOT BE USED OR REPRODUCED OR ITS CONTENTS DISCLOSED IN WHOLE OR IN PART, WITHOUT THE PRIOR WRITTEN CONSENT OF THE WILL-BURT COMPANY.		AN EMPLOYEE OWNED COMPANY ORRVILLE, OHIO	
		FOR LOGISTICAL SUPPORT ONLY		NEXT ASSY	
FINISH	SIGNATURE	DATE	DESC. NIGHTSCAN 1.8 / 2.3 WITH 4311701-CE/RF CONTROL AND POSITIONER		
	DR. BY DJB	-	SIZE B	DWG. No.	46066AP
	CK. BY JN	-	SCALE	NTS	SHEET 2 OF 2
	APP. BY				