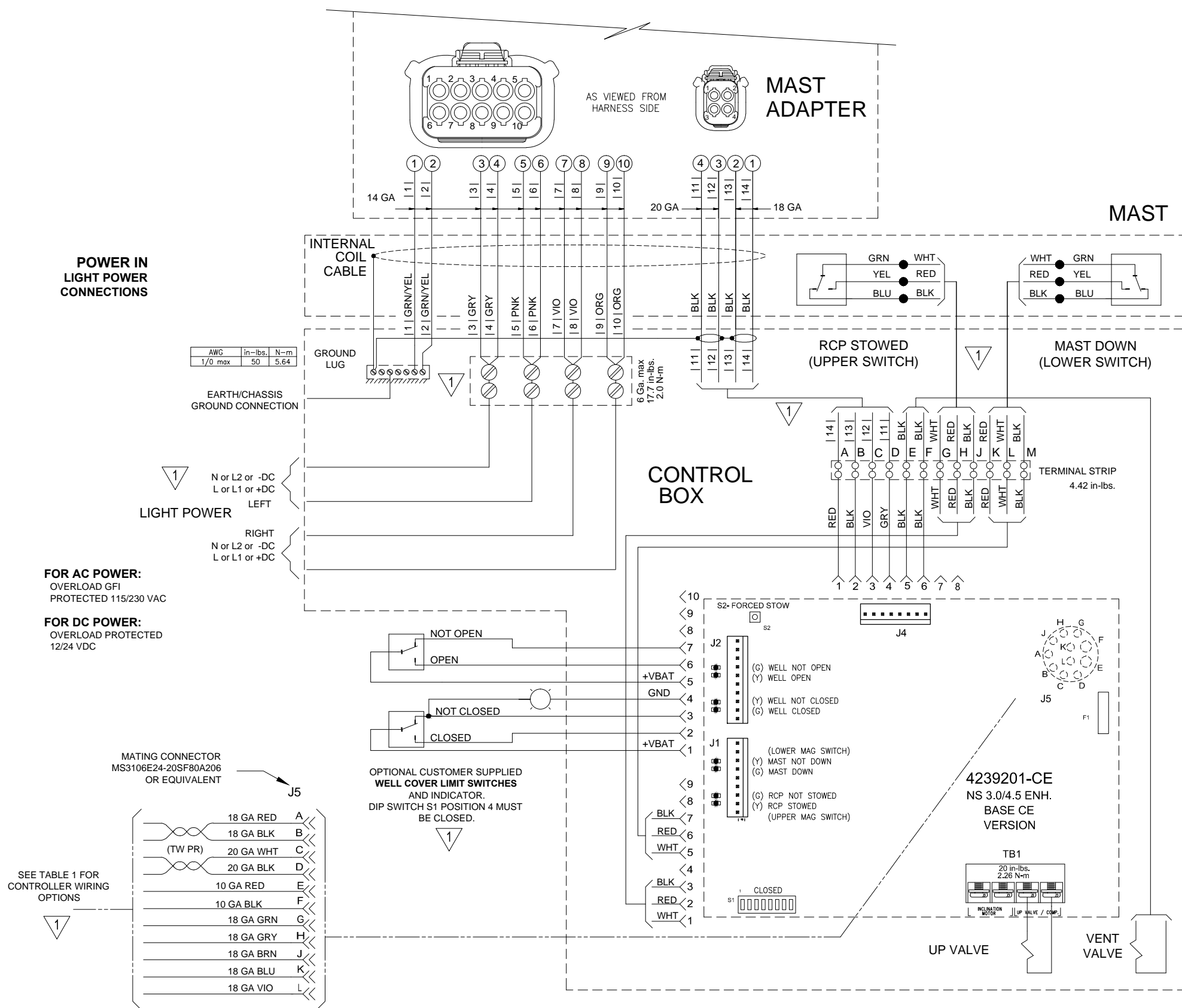


| REVISIONS | | | | |
|-----------|-----|---|----------|----------|
| ECN | REV | DESCRIPTION | DATE | BY/APPVL |
| 10803 | K | DELETE LIGHT POWER CIRCULAR CONNECTOR, ADD NOTE 1. | 11-15-11 | DJB/JMK |
| 11101 | L | (P2) CHANGE WIRE COLORS IN RCP HARNESS TO MATCH NYCOIL, ADD LIGHT WIRING. | 06-21-12 | DJB/JMK |
| 11438 | M | ADD AC LIGHTS WITHOUT BULLET CONNECTORS | 01-17-13 | DJB/JA |



NOTES:
1. INSTALLER CONNECTIONS

TABLE 1
CONTROLLER WIRING

| APPLICATION | TYPE | DRAWING |
|--------------------------------|----------|----------|
| SINGLE HARD-WIRED PANEL MOUNT | NFPA | WD-72101 |
| SINGLE HARD-WIRED J-BOX | NFPA | WD-72102 |
| | STANDARD | WD-72103 |
| HARD-WIRED J-BOX & PANEL MOUNT | NFPA | WD-72104 |
| TWO HARD-WIRED J-BOXES | NFPA | WD-72105 |
| | STANDARD | WD-72106 |
| WIRELESS J-BOX | BOTH | WD-72107 |
| WIRELESS J-BOX & PANEL MOUNT | NFPA | WD-72108 |
| WIRELESS & HARD-WIRED J-BOX | NFPA | WD-72109 |
| | STANDARD | WD-72110 |

TABLE 2
BASE DIP SWITCH S1

| POS | OPEN | CLOSED |
|-----|---------------------------|-------------------------|
| 1 | D-TEC II ABSENT | D-TEC II PRESENT |
| 2 | ROOF MOUNT | VERTICAL MAST |
| 3 | RCP | NO RCP |
| 4 | WELL COVER ABSENT | WELL COVER PRESENT |
| 5 | NFPA | STANDARD |
| 6 | P5 J,K CLOSED WHEN NESTED | P5 J,K OPEN WHEN NESTED |
| 7 | UNUSED | UNUSED |
| 8 | FACTORY USE ONLY | FACTORY USE ONLY |

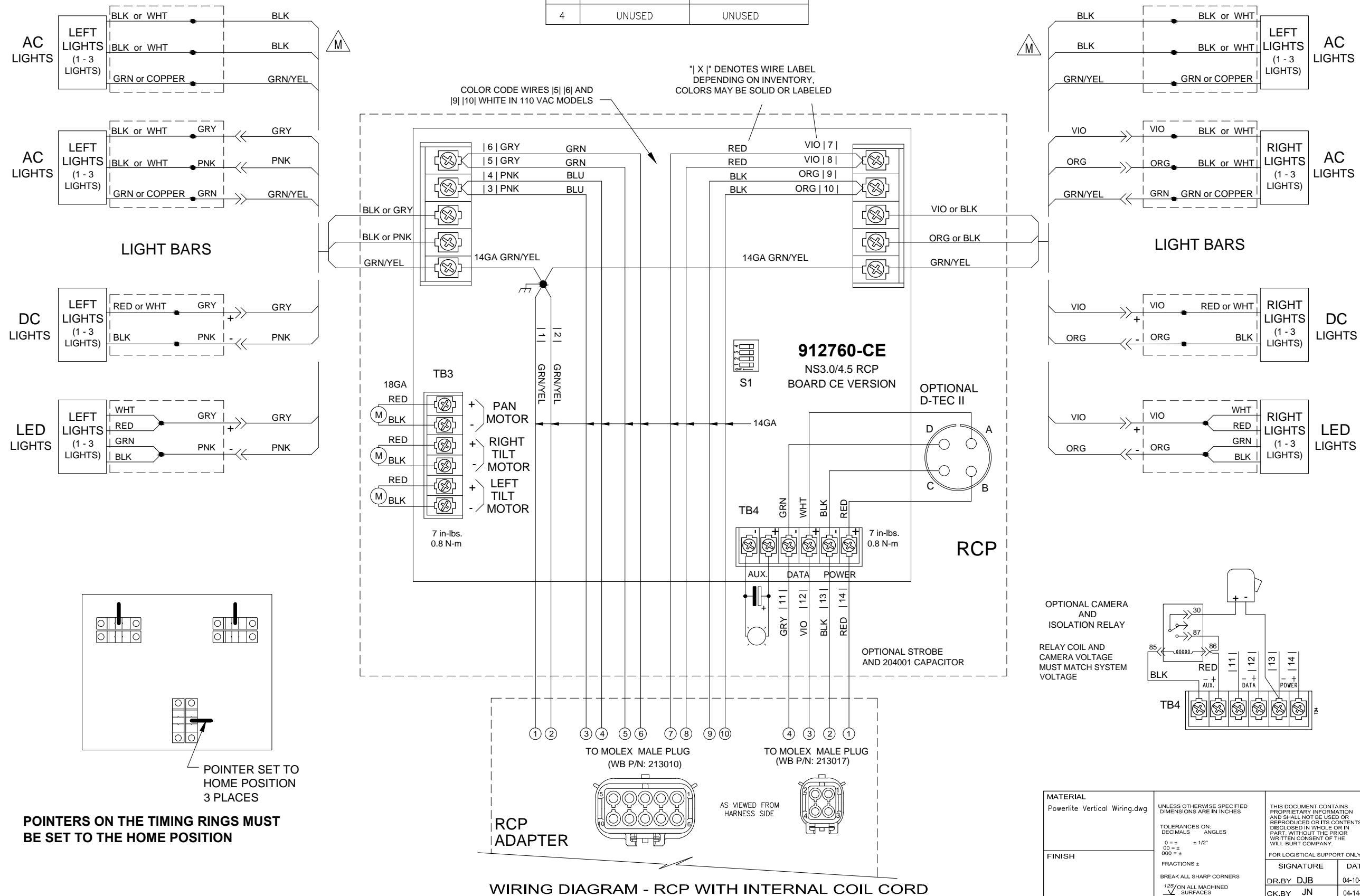
WIRING DIAGRAM - BASE UNIT WITH INTERNAL COIL CORD

| | | | | | |
|---|---|---|-----------------------------|--|--|
| MATERIAL Powerlite Vertical Wiring.dwg | UNLESS OTHERWISE SPECIFIED DIMENSIONS ARE IN INCHES TOLERANCES ON: DECIMALS ANGLES 0 = ± 1/2" 00 = ± 000 = ± | THIS DOCUMENT CONTAINS PROPRIETARY INFORMATION AND SHALL NOT BE USED OR REPRODUCED OR ITS CONTENTS DISCLOSED IN WHOLE OR IN PART, WITHOUT THE PRIOR WRITTEN CONSENT OF THE WILL-BURT COMPANY. | FOR LOGISTICAL SUPPORT ONLY | | AN EMPLOYEE OWNED COMPANY ORRVILLE, OHIO WILL-BURT NEXT ASSY |
| | | | SIGNATURE | DATE | |
| FINISH | FRACTIONS ± BREAK ALL SHARP CORNERS 125 ON ALL MACHINED SURFACES | DR. BY DJB CK. BY JN APP. BY | 04-10-08 04-14-08 | SIZE B DWG. No. 42691 | SCALE NTS |
| | | | | | SHEET 1 OF 4 |

| REVISIONS | | | | |
|-----------|-----|---|----------|----------|
| ECN | REV | DESCRIPTION | DATE | BY/APPVL |
| 10803 | K | DELETE LIGHT POWER CIRCULAR CONNECTOR, ADD NOTE 1. | 11-15-11 | DJB/JMK |
| 11101 | L | (P2) CHANGE WIRE COLORS IN RCP HARNESS TO MATCH NYCOIL, ADD LIGHT WIRING. | 06-21-12 | DJB/JMK |
| 11438 | M | ADD AC LIGHTS WITHOUT BULLET CONNECTORS | 01-17-13 | DJB/JA |

RCP DIP SWITCH S1

| POS | OPEN | CLOSED |
|-----|---------------------|----------------------|
| 1 | STOP ON FAULT | STOW ON FAULT |
| 2 | NOT PROFILER | PROFILER |
| 3 | STOW WHILE LOWERING | STOW BEFORE LOWERING |
| 4 | UNUSED | UNUSED |



POINTERS ON THE TIMING RINGS MUST BE SET TO THE HOME POSITION

POINTER SET TO HOME POSITION 3 PLACES

| | | | |
|---|--|--|---|
| MATERIAL Powerlite Vertical Wiring.dwg | UNLESS OTHERWISE SPECIFIED DIMENSIONS ARE IN INCHES TOLERANCES ON: DECIMALS ± .010" ANGLES 0° ± 1/2° FRACTIONS ± .005" BREAK ALL SHARP CORNERS 125° ON ALL MACHINED SURFACES | THIS DOCUMENT CONTAINS PROPRIETARY INFORMATION AND SHALL NOT BE USED OR REPRODUCED OR ITS CONTENTS DISCLOSED IN WHOLE OR IN PART, WITHOUT THE PRIOR WRITTEN CONSENT OF THE WILL-BURT COMPANY. FOR LOGISTICAL SUPPORT ONLY SIGNATURE DATE DR. BY DJB 04-10-08 CK. BY JN 04-14-08 APP. BY | AN EMPLOYEE OWNED COMPANY ORRVILLE, OHIO NEXT ASSY NS 3.0 & 4.5 VERTICAL WITH 4239201-CE CONTROL RCP WIRING, INTERNALLY WIRED TOWER SIZE DWG. No. 42691 SCALE NTS SHEET 2 OF 4 |
|---|--|--|---|

| REVISIONS | | | | |
|-----------|-----|---|----------|----------|
| ECN | REV | DESCRIPTION | DATE | BY/APPVL |
| 10803 | K | DELETE LIGHT POWER CIRCULAR CONNECTOR, ADD NOTE 1. | 11-15-11 | DJB/JMK |
| 11101 | L | (P2) CHANGE WIRE COLORS IN RCP HARNESS TO MATCH NYCOIL, ADD LIGHT WIRING. | 06-21-12 | DJB/JMK |
| 11438 | M | ADD AC LIGHTS WITHOUT BULLET CONNECTORS | 01-17-13 | DJB/JA |

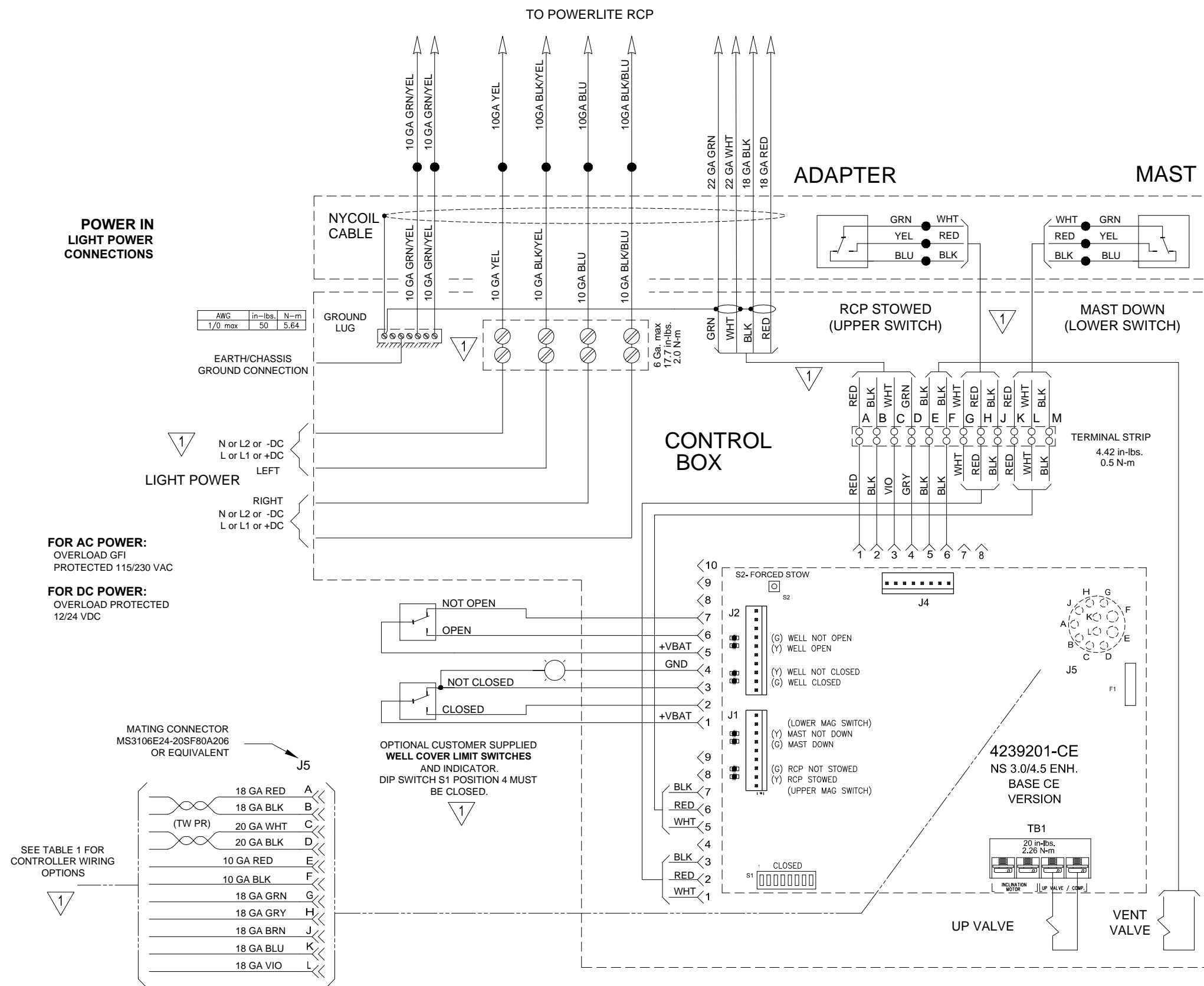


TABLE 1
CONTROLLER WIRING

| APPLICATION | TYPE | DRAWING |
|--------------------------------|----------|----------|
| SINGLE HARD-WIRED PANEL MOUNT | NFPA | WD-72101 |
| SINGLE HARD-WIRED J-BOX | NFPA | WD-72102 |
| | STANDARD | WD-72103 |
| HARD-WIRED J-BOX & PANEL MOUNT | NFPA | WD-72104 |
| TWO HARD-WIRED J-BOXES | NFPA | WD-72105 |
| | STANDARD | WD-72106 |
| WIRELESS J-BOX | BOTH | WD-72107 |
| WIRELESS J-BOX & PANEL MOUNT | NFPA | WD-72108 |
| WIRELESS & HARD-WIRED J-BOX | NFPA | WD-72109 |
| | STANDARD | WD-72110 |

BASE DIP SWITCH S1

| POS | OPEN | CLOSED |
|-----|---------------------------|-------------------------|
| 1 | D-TEC II ABSENT | D-TEC II PRESENT |
| 2 | ROOF MOUNT | VERTICAL MAST |
| 3 | RCP | NO RCP |
| 4 | WELL COVER ABSENT | WELL COVER PRESENT |
| 5 | NFPA | STANDARD |
| 6 | P5 J,K CLOSED WHEN NESTED | P5 J,K OPEN WHEN NESTED |
| 7 | UNUSED | UNUSED |
| 8 | FACTORY USE ONLY | FACTORY USE ONLY |

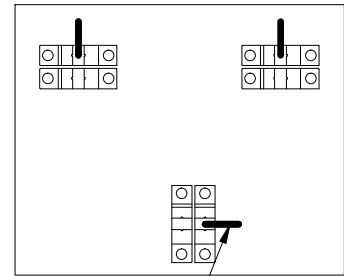
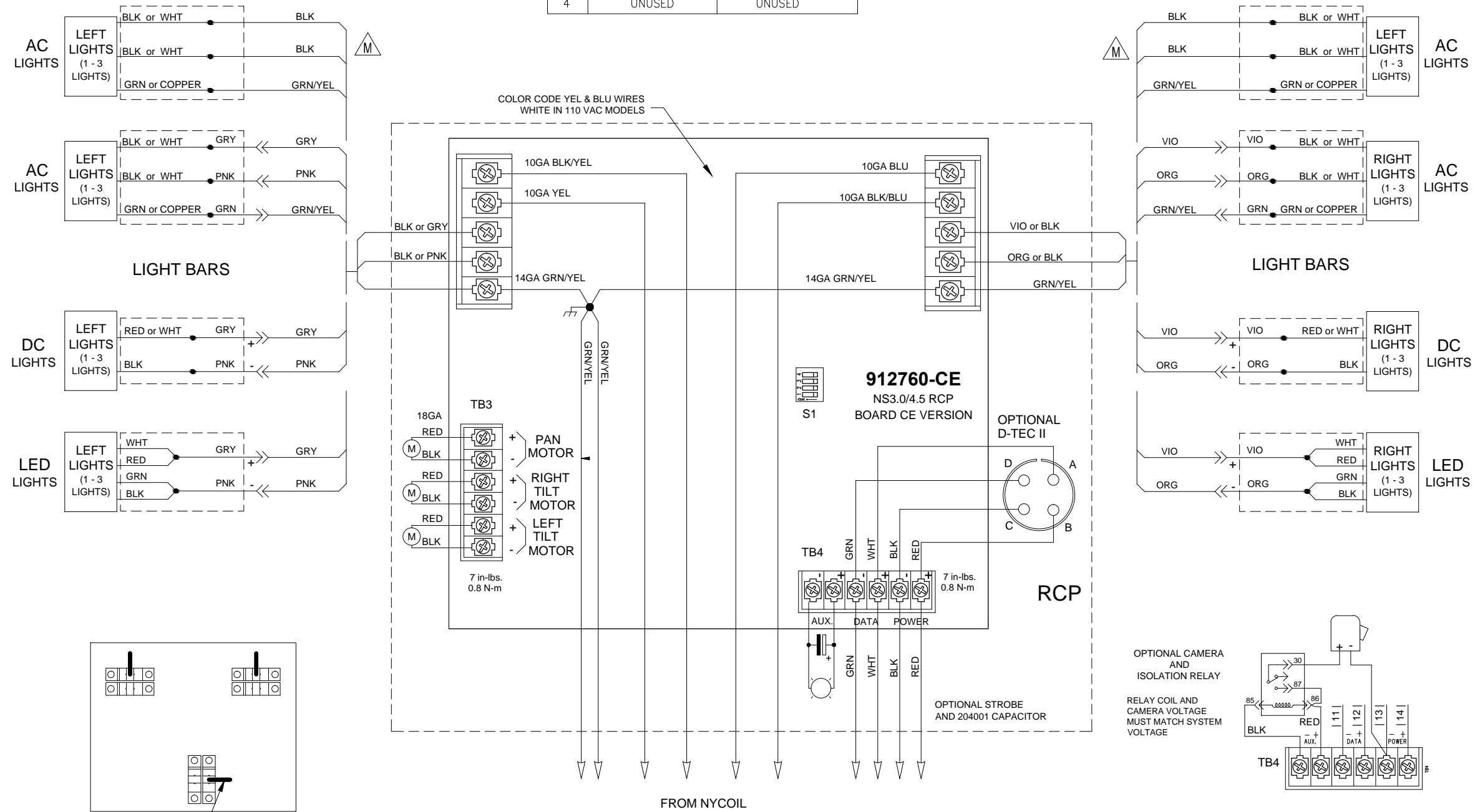
WIRING DIAGRAM - BASE UNIT WITH EXTERNAL NYCOIL

| | | | |
|---|---|--|--|
| MATERIAL Powerlite Vertical Wiring.dwg | UNLESS OTHERWISE SPECIFIED DIMENSIONS ARE IN INCHES TOLERANCES ON DECIMALS ANGLES 0 = ± 1/2" 00 = ± 000 = ± FRACTIONS ± BREAK ALL SHARP CORNERS 1/25" ON ALL MACHINED SURFACES | THIS DOCUMENT CONTAINS PROPRIETARY INFORMATION AND SHALL NOT BE USED OR REPRODUCED OR ITS CONTENTS DISCLOSED IN WHOLE OR IN PART, WITHOUT THE PRIOR WRITTEN CONSENT OF THE WILL-BURT COMPANY. FOR LOGISTICAL SUPPORT ONLY | AN EMPLOYEE OWNED COMPANY ORRVILLE, OHIO NEXT ASSY NS 3.0 & 4.5 VERTICAL WITH 4239201-CE CONTROL BASE WIRING, EXTERNALLY WIRED TOWER |
| | | | |
| FINISH | | SCALE: NTS | DWG. No. 42691 SHEET 3 OF 4 |

| REVISIONS | | | | |
|-----------|-----|---|----------|----------|
| ECN | REV | DESCRIPTION | DATE | BY/APPVL |
| 10803 | K | DELETE LIGHT POWER CIRCULAR CONNECTOR, ADD NOTE 1. | 11-15-11 | DJB/JMK |
| 11101 | L | (P2) CHANGE WIRE COLORS IN RCP HARNESS TO MATCH NYCOIL, ADD LIGHT WIRING. | 06-21-12 | DJB/JMK |
| 11438 | M | ADD AC LIGHTS WITHOUT BULLET CONNECTORS | 01-17-13 | DJB/JA |

RCP DIP SWITCH S1

| POS | OPEN | CLOSED |
|-----|---------------------|----------------------|
| 1 | STOP ON FAULT | STOW ON FAULT |
| 2 | NOT PROFILER | PROFILER |
| 3 | STOW WHILE LOWERING | STOW BEFORE LOWERING |
| 4 | UNUSED | UNUSED |



POINTERS ON THE TIMING RINGS MUST BE SET TO THE HOME POSITION

WIRING DIAGRAM - RCP WITH EXTERNAL NYCOIL

| | | | | | |
|---|---|---|------------------------------|---|-------------------|
| MATERIAL Powerlite Vertical Wiring.dwg | UNLESS OTHERWISE SPECIFIED DIMENSIONS ARE IN INCHES TOLERANCES ON: DECIMALS ANGLES 0 = ± 1/2" 00 = ± 000 = ± | THIS DOCUMENT CONTAINS PROPRIETARY INFORMATION AND SHALL NOT BE USED OR REPRODUCED OR ITS CONTENTS DISCLOSED IN WHOLE OR IN PART, WITHOUT THE PRIOR WRITTEN CONSENT OF THE WILL-BURT COMPANY. | | AN EMPLOYEE OWNED COMPANY ORRVILLE, OHIO | |
| | | | | NEXT ASSY | |
| FINISH | FRACTIONS ± BREAK ALL SHARP CORNERS 7/25" ON ALL MACHINED SURFACES | FOR LOGISTICAL SUPPORT ONLY | | NS 3.0 & 4.5 VERTICAL WITH 4239201-CE CONTROL | |
| | | SIGNATURE DR. BY DJB CK. BY JN APP. BY | DATE 04-10-08 04-14-08 | SIZE B | DWG. No. 42691 |
| | | SCALE | NTS | SHEET 4 OF 4 | |