

OCULUS IL

Rugged pan/tilt camera with HD or SD video option plus LED illuminator

The Oculus IL with built in LED illuminators ensures the capture of images 24 hours per day. With the options of IR, white or a hybrid of IR and white illuminators, lighting can be covert or overt as required.

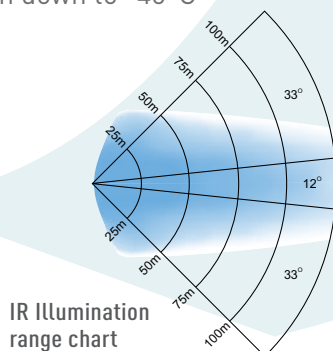
As with all Oculus units, everything is fully housed within a hard anodised aluminium casing, fully rated to IP67, and ready to handle the harshest of environments. The toughened, optically correct glass provides clear images and can be kept clean at all times by the compact wiper. Optical encoders for both the pan and tilt axis provide highly accurate positioning and repeatability, allied with self-correction systems that will counteract any external interference with the moving head.

The Oculus IL can be mounted upright or inverted, and the yoke can be offset to eliminate blind spots through a full 360 degrees of rotation. Mounting accessories are available to suit standard mounting platforms, including 4" PCD.

The Oculus IL is available with a range of high resolution day/night Sony zoom camera modules to suit your installation.

Key features:

- SD video with 10x, 18x, 28x, 36x and 40x optical zoom options
- HD video with 20x and 30x optical zoom options
- Ruggedised for extreme environments
- Day/night operation
- Optical encoders for accurate positioning and repeatability
- Optional heater for reliable operation down to -40°C
- Flat, toughened glass window
- Protected to IP67 (IP68 option)
- 316L stainless steel option
- Built-in camera lens wiper
- Presets, tours and privacy masking
- Multiple control protocols



The Silent Sentinel Range

Silent Sentinel offer an extensive range of camera and lens configurations to meet your exact surveillance requirements.

Contact customer service for more information on our full range of products and custom design and build services.

Tel: (1) 916-632-1301

www.silentsentinel.com



OCULUS



AERON



OSIRIS



JAEGAR

Oculus low light

Type	SD (Low light)	SD (Low light)	SD	SD	SD	SD
Optical zoom	10x	18x	18x	28x	36x	40x
Digital enlargement	12x (120x combined)	12x (432x combined)	12x (216x combined)	12x (336x combined)	12x (432x combined)	12x (480x combined)
Image sensor	1/3" Super HAD CCD II	1/3" Exview CCD	1/4" Exview CCD	1/4" Exview CCD	1/4" Exview CCD	1/4" Super HAD CCD II
Resolution	530TVL	530TVL	530TVL	550TVL	530TVL	670TVL
Signal system	NTSC	NTSC	NTSC	NTSC	NTSC	NTSC
Lens (wide to tele)	F=5.1mm to 51mm F1.8 to F2.1	F=4.7mm to 84mm F1.6	F=4.1mm to 73.8mm F1.4 to F3.0	F=3.5mm to 98.0mm F1.35 to F3.7	F=3.4mm to 122.4mm F1.6 to F4.5	F=3.06mm to 122.4mm F1.6 to F4.6
Angle of view - horizontal	50° (W) to 5.4° (T)	54.4° (W) to 3.1° (T)	48° (W) to 2.8° (T)	55.8° (W) to 2.1° (T)	58° (W) to 1.7° (T)	60° (W) to 1.6° (T)
Minimum illumination (50IRE)	Day mode (color): 0.25 lux typical Night mode (mono): 0.0004 lux typical	Day mode (color): 0.25 lux typical Night mode (mono): 0.0025 lux typical	Day mode (color): 0.7 lux typical Night mode (mono): 0.01 lux typical	Day mode (color): 0.65 lux typical Night mode (mono): 0.005 lux typical	Day mode (color): 1.4 lux typical Night mode (mono): 0.01 lux typical	Day mode (color): 0.6 lux typical Night mode (mono): 0.01 lux typical
Video output	VBS: 1.0 Vp-p (sync negative) Composite	Composite	VBS: 1.0 Vp-p (sync negative)	VBS: 1.0 Vp-p (sync negative)	VBS: 1.0 Vp-p (sync negative)	Composite

Oculus standard video

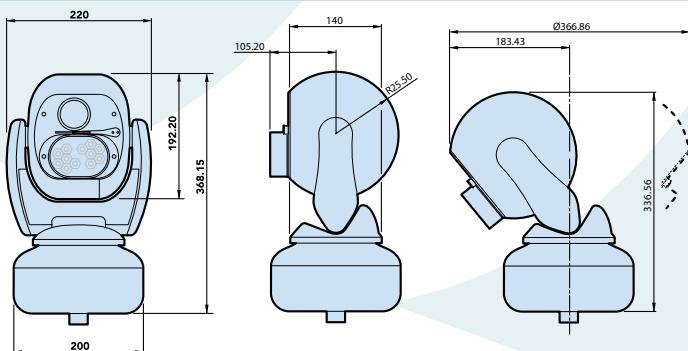
Oculus HD video range

Video cameras	HD	HD
Optical zoom	20x	30x
Digital enlargement	N/A	12x (360x with optical zoom)
Image sensors	1/2.8"-Type (1/3") CMOS	1/2.8" type Exmor CMOS sensor
Resolution	2096x1097 (2.3M)	Approx 3.27 million
Signal system	HD 1080p	HD: 1080p/SD:NTSC/PAL
Lens (wide to tele)	f=4.7mm to 94mm F1.6	f=4.3mm to 129.0mm, F1.6 to F4.7
Angle of view - horizontal	55.2° (W) to -2.9° (T)	54.1° (W) to 2.9° (T)
Minimum illumination (50IRE)	1.6 lux, 0.04 lux in high sens mode	1.7 lux, 0.5 lux in high sens mode
Video output	Digital/IP	HD-SDI

Mechanical specifications

Construction	Die-cast hard anodised, powder coated aluminium with A4 stainless fittings	
Turning diameter	Normal 220mm / 8.66"	Offset 370mm / 14.57"
Height	370mm / 14.57"	340mm / 13.86"
Height with adaptor	500mm / 19.68"	470mm / 18.50"
Pan rotation limit / speed	360° continuous / 180° per second (excluding ramping)	
Tilt rotation limit / speed	+90° to -30° upright (-68° inclined) +30° to -90° inverted 180° per second (excluding ramping)	
Weight (with adaptor)	7Kg (8Kg) 15.43lb (17.63lb)	
Mounting profile	Upright / Inverted / Offset	
Pan/tilt bearings	Sealed for life - no maintenance required	
Motor drive	Long life toothed polypropylene belt drive, Pulleys bonded to keypad shafts for minimum backlash	
Environmental rating	IP67	
Operating temperature range (ambient, dry)	-20°C to +60°C (-40°F to +60°F with optional heater) -4°F to +150°F (-40°F to +150°F with optional heater)	
Mounting	4" PCD mount	
Connection socket	IP67 Neptune multi-way SD, IP67 Marine HD-SDI option and IP67 IP option	

Dimensions (in millimeters)



Oculus angles and ranges

LED	IR	White	IR/White
Angle	30°	30°	30°
Range	120m*	120m	80m*

* Range subject to camera lux sensitivity

Electrical, electronic and software specifications

Optical encoder preset accuracy	0.01°
Rotational contacts	Heavy duty slip rings for power, data, video, switching for washer
Position control	Capable of retaining position without drift Automatic position recovery if forced away by a "non-control" intervention"
Roll around mode	Auto 180° pan spin when tilt reaches end of travel while following subjects
Configuration	Via on screen menus
Presets	127 + wash preset (repeatability 0.05°)
Tours	16 preset tours (maximum of 60 positions each), four 8 minute mimic tours
Privacy zones	Maximum of eight on-screen simultaneously
Communications	Coaxial or RS485 half duplex data comms with absolute positioning output
Supported protocols	Pelco-D, Pelco-P, CBC OCP485, Forward Vision Mic1 FV300, Philips, Vicon.
Power requirements	At Oculus unit: 14 to 36VDC or 14 to 26VAC, 45W peak (100W with optional heater) Supplied PSU requires 230VAC, 12VDC support on some models"
Additional details	In-built real-time clock

Ordering information

Product code	Product description
RC3-52NYF18X-RAB	Oculus 18:1 IR with wiper, Black
RC3-52NHA18X-RAB	Oculus 18:1 IR Low light with wiper, Black
RC3-52NYB28X-RAB	Oculus 28:1 IR with wiper, Black
RC3-52NYD36X-RAB	Oculus 36:1 IR with wiper, Black
RC3-50YJ30X-RAB	Oculus HD IP 30:1 IR with wiper, Black
RC3-50HYJ30X-RAB	Oculus HD HD-SDI 30:1 IR with wiper, Black
RC3-52NYF18X-WAB	Oculus 18:1 White with wiper, Black
RC3-52NHA18X-WAB	Oculus 18:1 White Low light with wiper, Black
RC3-52NYB28X-WAB	Oculus 28:1 White with wiper, Black
RC3-52NYD36X-WAB	Oculus 36:1 White with wiper, Black
RC3-50YJ30X-WAB	Oculus HD IP 30:1 White with wiper, Black
RC3-50HYJ30X-WAB	Oculus HD HD-SDI 30:1 White with wiper, Black
RC3-52NYF18X-HAB	Oculus 18:1 IR/White with wiper, Black
RC3-52NHA18X-HAB	Oculus 18:1 IR/White Low light with wiper, Black
RC3-52NYB28X-HAB	Oculus 28:1 IR/White with wiper, Black
RC3-52NYD36X-HAB	Oculus 36:1 IR/White with wiper, Black
RC3-50YJ30X-HAB	Oculus HD IP 30:1 IR/White with wiper, Black
RC3-50HYJ30X-HAB	Oculus HD HD-SDI 30:1 IR/White with wiper, Black

Note: Also available in White and Stainless steel. Change 'B' at the end of the product code to 'W' or 'SS'

Specifications may be subject to change without notice • DA220714 - 1.1c • © 2014