

# ANTENNA MAST™

## AntennaMast™ Model AM3

### Mechanically Extended Tubular Sectional Light-Weight Field Mast

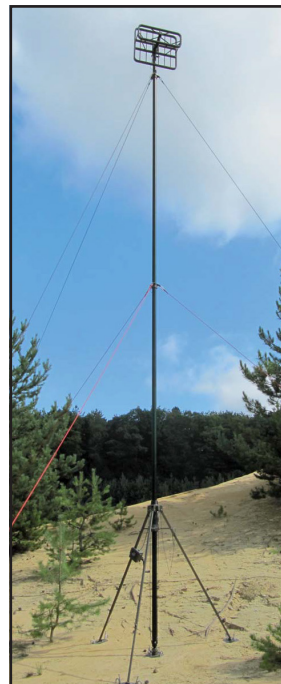
An easy erection communications mast for short period applications from Will-Burt. The AntennaMast Model AM3 is a new, light-weight tactical field mast, rapid deployable in less than 20 minutes with only 2 or 3 operators. Guy ropes and antennas are attached to the mast at ground level resulting in a simultaneous lifting of the antenna as well as the tubular aluminium mast sections in one operation with a mechanical or electrical removable winch.

#### FEATURES

- Portable sectional tubular mast system
- Various antenna/mast interface adaptors available
- Mast rotatable with clampable ball base on the ground
- Antenna and feeder cables fitted at ground level and raised by adding mast sections
- Extension by manual mechanical winch on leg or by optional electrical winch drive device kit
- Mast section torsional play virtually eliminated by accurate tooth/notch joint
- Construction based on 40 years of experience in manufacturing of light-weight mast systems according to military standards
- Supporting documentation

#### SPECIFICATIONS

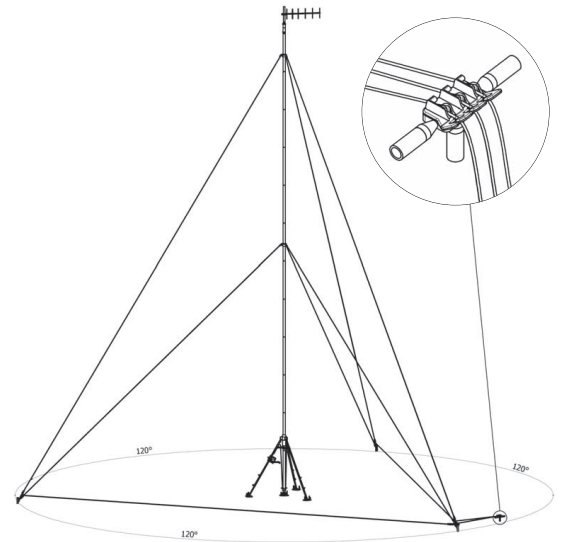
- Mechanically extended light alloy sections – 2.37" / 60 mm
- Number of operators – 2 (3 for VMS-18-M, VMS-21-M and VMS-24-M)
- Average erection time – Less than 20 minutes
- Operating temperature – -40°C to +55°C (-40°F to +130°F)
- Operating wind speed – max. 130 km/h (80 mph)
- MIL-STD-810G qualified – high/low temperature, solar radiation, humidity, salt fog, blowing sand/dust, vibration & transit



# ANTENNA MAST™

## AntennaMast™ Model AM3

Height (m / ft)	Deployment Load (kg / lb)	Number of Sections	Deployment Method	Deployment Time	System Weight (kg / lb)	Level of Guying
6 / 20	50 / 110	6	Carriage	10-18 min. / 1-2 persons	67 / 150	1
8 / 25	50 / 110	8	Carriage	10-18 min. / 1-2 persons	78 / 170	2
10 / 33	50 / 110	10	Carriage	15-18 min. / 1-2 persons	82 / 180	2
12 / 39	35 / 75	12	Carriage	15-18 min. / 1-2 persons	86 / 190	2
15 / 49	22.5 / 50	15	Carriage	20-30 min. / 2-4 persons	99 / 220	3
18 / 59	12.5 / 25	18	Carriage	20-30 min. / 2-4 persons	105 / 230	3
21 / 69	5 / 10	21	Carriage	20-30 min. / 2-4 persons	117 / 260	4



The Will-Burt Company, headquartered in Orrville, Ohio, USA, is the world's premier manufacturer of mobile telescoping masts, towers and pan and tilt positioners. We offer virtually every payload elevation and integration solution from the top brands; Will-Burt, GEROH, Integrated Tower Systems (ITS) and MAD – for defense, government, first responders, cellular, broadcast, energy production and other markets. Will-Burt also offers contract manufacturing, metal fabrication, powder-coating, and rapid prototyping services. All Will-Burt Company manufacturing locations are backed by a certified ISO 9001:2015 Quality Management System. Incorporated in 1918, Will-Burt is 100% employee-owned and is classified as a small business.

