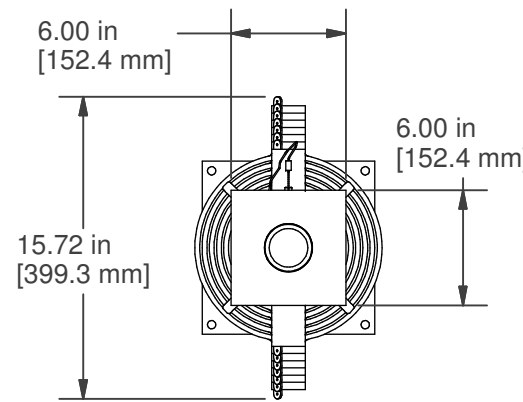
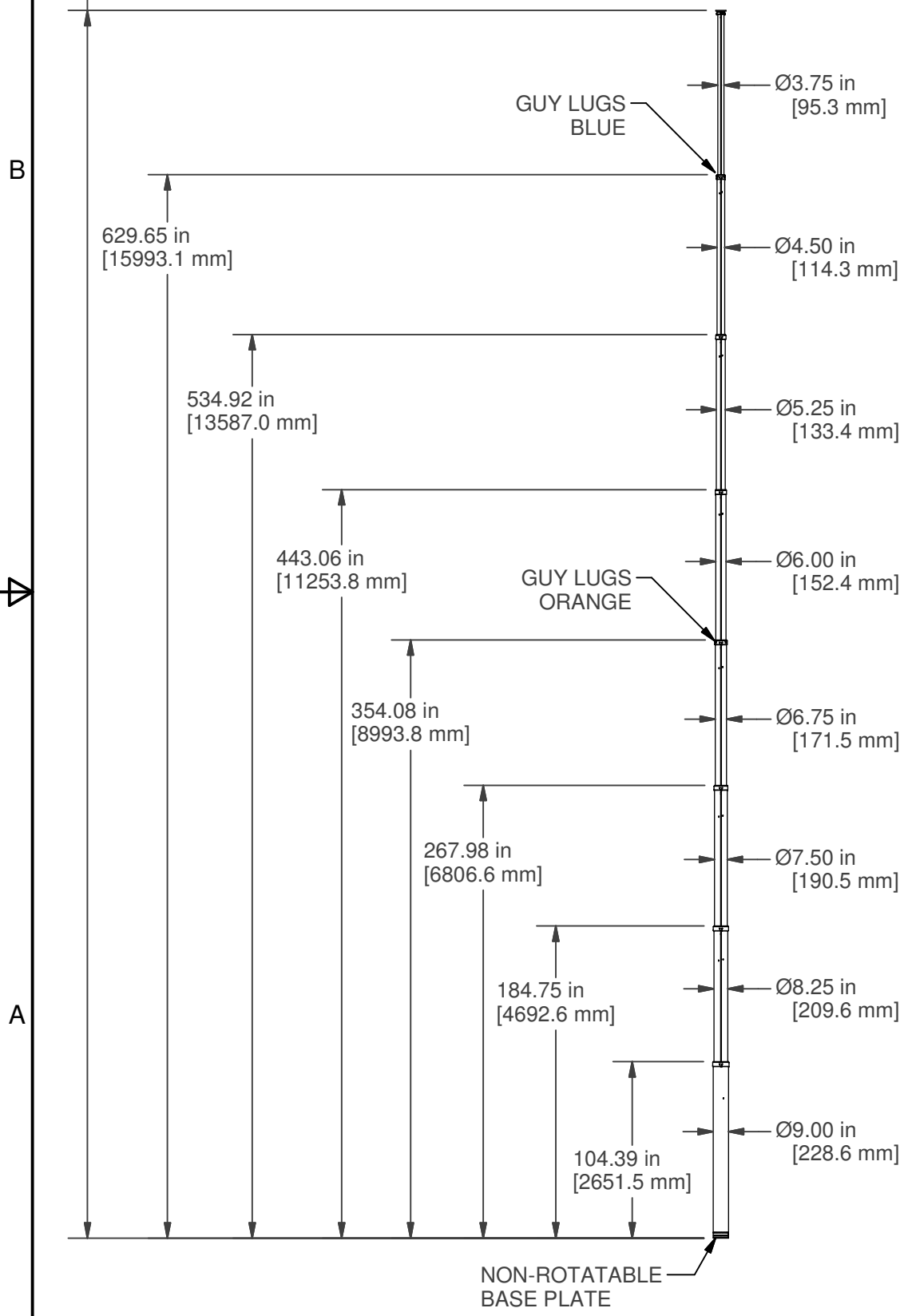
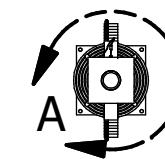
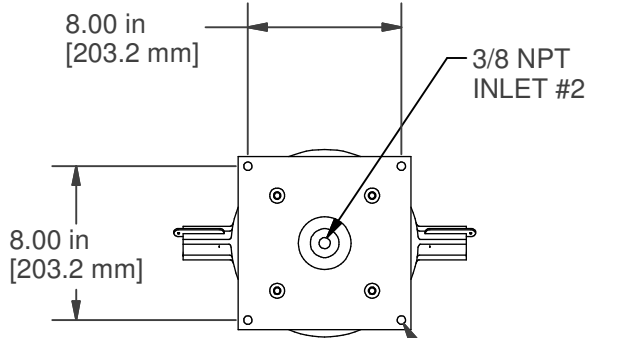


10-60' HEAVY DUTY LOCKING MAST INSTALLATION

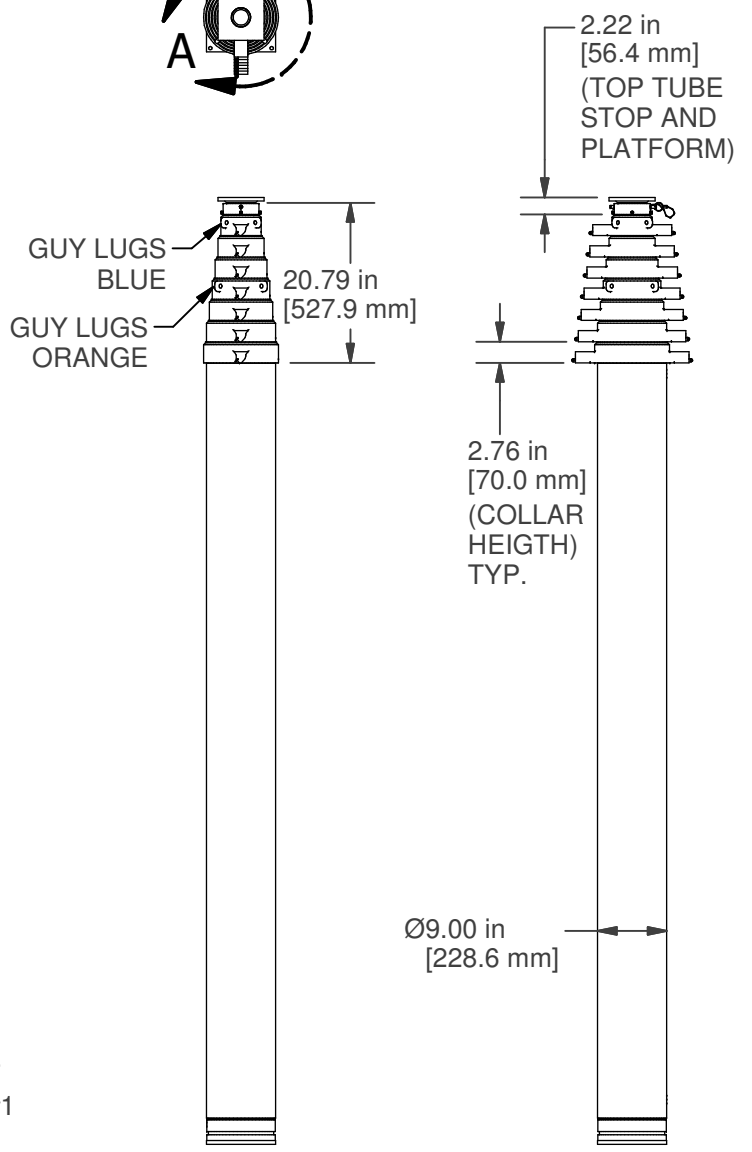
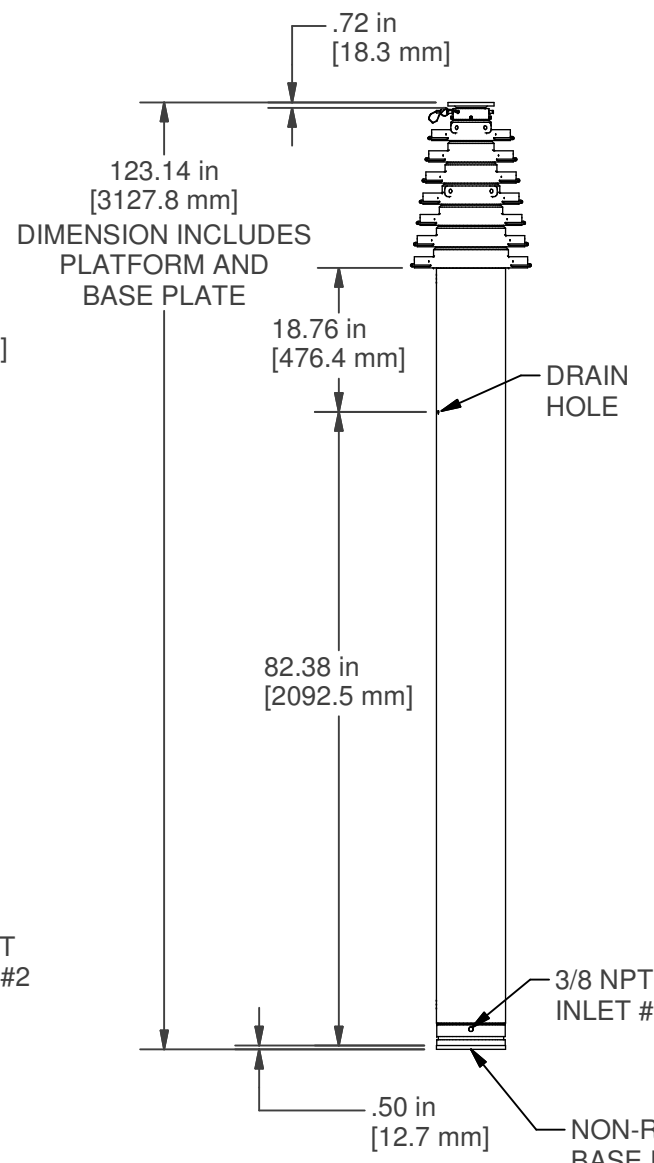
726.85 in
[18462.1 mm]
DIMENSION INCLUDES
PLATFORM AND
BASE PLATE



DETAIL A



DETAIL B



FINISH REFERENCE TABLE	
PART NUMBER	FINISH
906051	CLEAR ANODIZE

PROPRIETARY AND CONFIDENTIAL
THE INFORMATION CONTAINED IN THIS DRAWING IS THE SOLE PROPERTY OF THE WILL-BURT COMPANY. ANY REPRODUCTION IN PART OR WHOLE WITHOUT THE WRITTEN PERMISSION OF THE WILL-BURT COMPANY IS PROHIBITED.

WILL-BURT AN EMPLOYEE OWNED COMPANY
ORRVILLE, OH

TITLE: **PNEUMATIC MAST INSTALLATION DIMENSIONS**

UNLESS OTHERWISE SPECIFIED DIMENSIONS ARE IN INCHES	MODEL: 10.-60' HDL	DATE: 2/11/2014	DRAWN BY: msmith
ALL DIMENSIONS ARE REFERENCE	APPROXIMATE WEIGHT: 300 lbs.	TUBE SET: 3-3/4" to 9"	

THIRD ANGLE PROJECTION