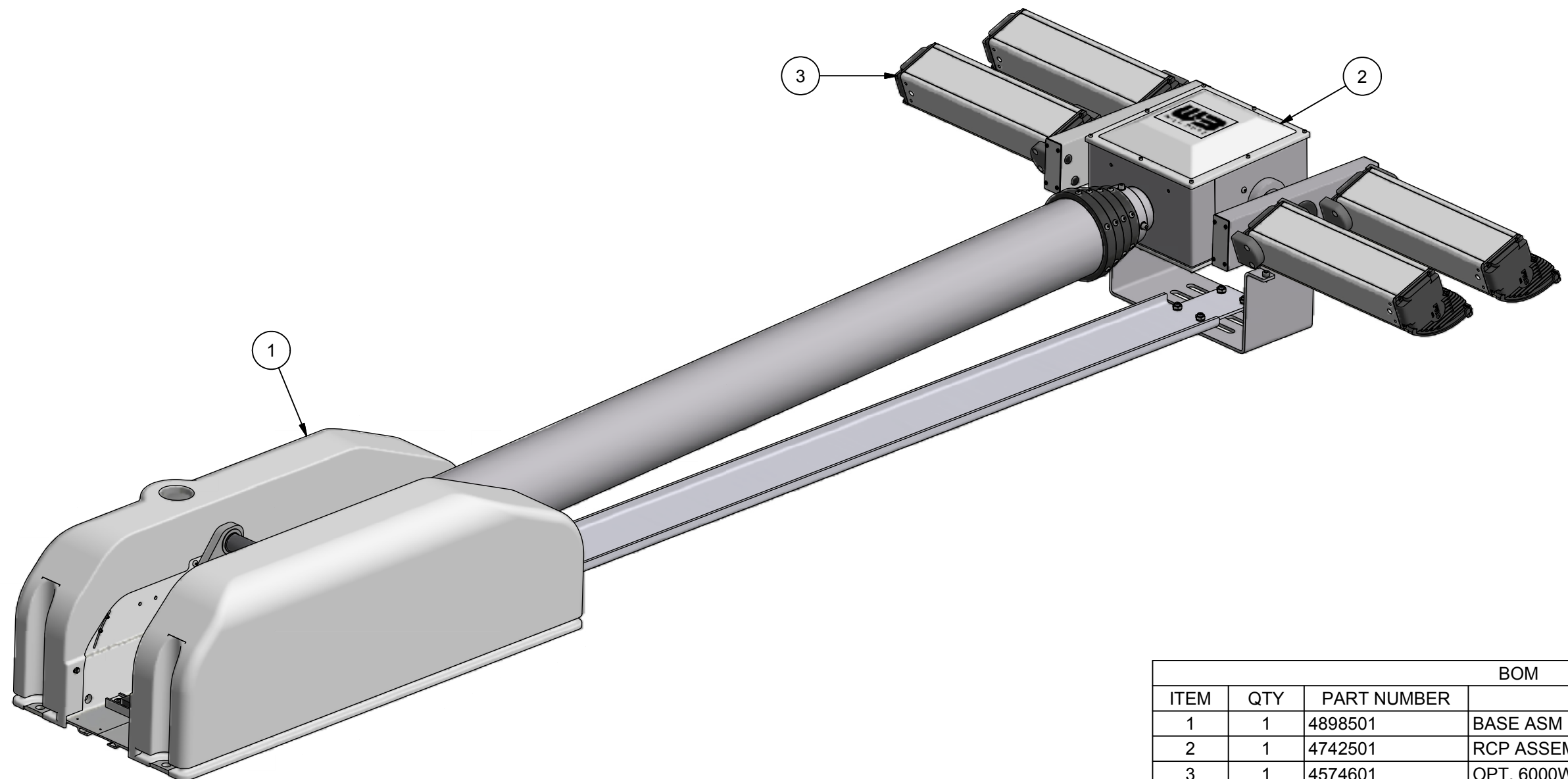


REVISION HISTORY				
ECN	REV	DESCRIPTION	DATE	BY/APPR
11880	00	NOT RELEASE	11/11/2013	RCC



BOM			
ITEM	QTY	PART NUMBER	DESCRIPTION
1	1	4898501	BASE ASM POWERLITE 7.5 CLR
2	1	4742501	RCP ASSEMBLY NSP STD
3	1	4574601	OPT. 6000W([4] X 1500) LIGHT KIT 220V WH
4	1	4706701	NSP LABEL KIT (NOT SHOWN)
5	1	4807801	KIT, SHIPPING NSP (NOT SHOWN)

APPROX. WT:180.5 lbmass

THIRD ANGLE PROJECTION



**UNLESS OTHERWISE SPECIFIED DIMENSIONS ARE IN INCHES.**  
 TOLERANCES ON DECIMALS ANGLES  
 0 = ± 0.030 ± 1/2°  
 00 = ± 0.010  
 000 = ± 0.005  
 FRACTIONAL ± 1/64"  
 1. ALL INSIDE EDGES TO HAVE .005" TO .035" FILLETS.  
 2. ALL OUTSIDE EDGES TO HAVE .005" TO .015" CHAMFER OR RADIUS.  
 125√ ON ALL MACHINED SURFACES

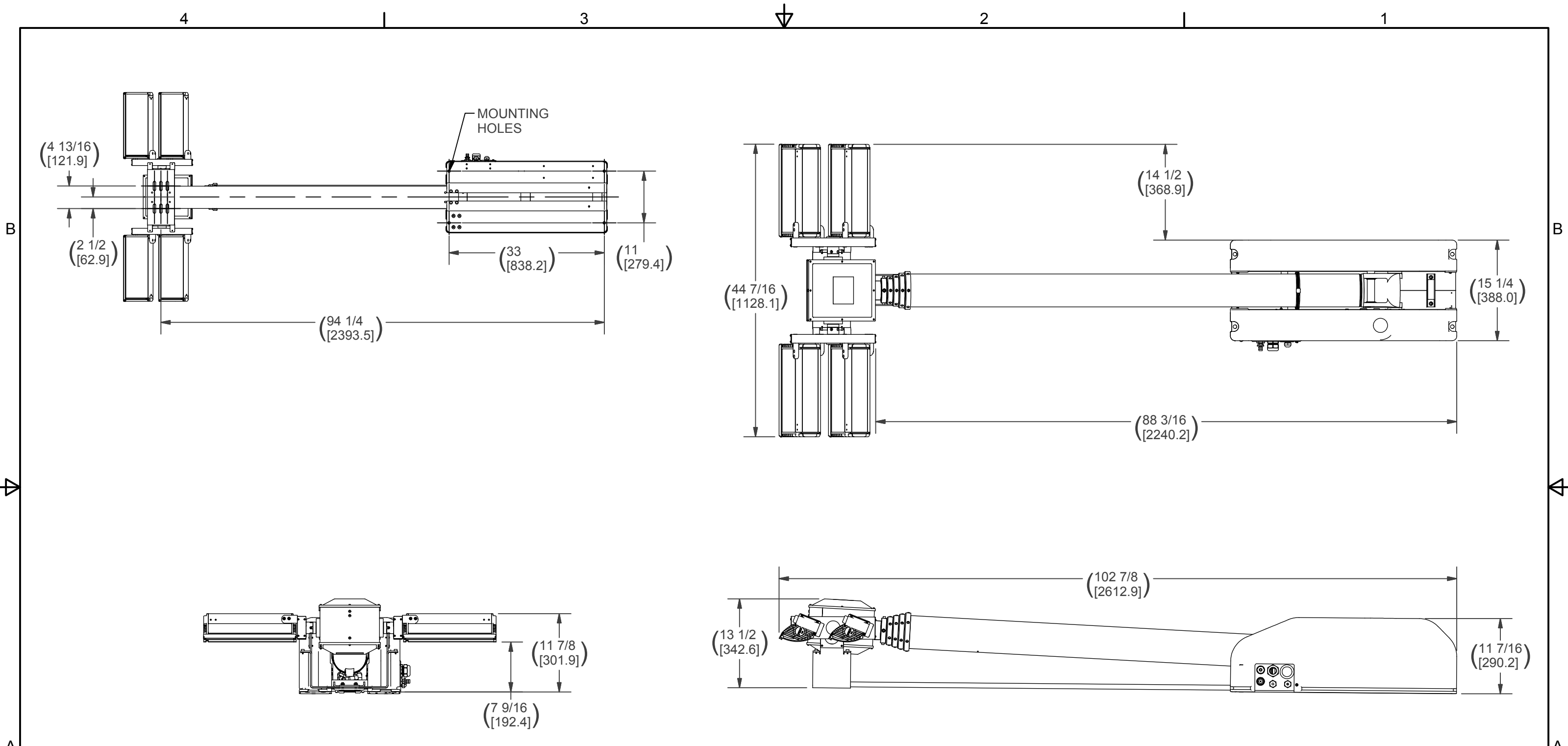
**PROPRIETARY AND CONFIDENTIAL**  
 THE INFORMATION CONTAINED IN THIS DRAWING IS THE SOLE PROPERTY OF THE WILL-BURT COMPANY ANY REPRODUCTION IN PART OR WHOLE WITHOUT THE WRITTEN PERMISSION OF THE WILL-BURT COMPANY IS PROHIBITED.

**W3** AN EMPLOYEE OWNED COMPANY  
 WILL-BURT ORRVILLE, OH

TITLE  
**NSX 7.5 6000 4X1500 OPT 220V**

APPROVALS	DATE
DRAWN RCC	11/11/2013
CHECKED	

SIZE	DWG NO	REV
B	722515103	00
PN:	722515103	SHEET 1 OF 2



APPROX. WT:180.5 lbmass

THIRD ANGLE PROJECTION



**UNLESS OTHERWISE SPECIFIED DIMENSIONS ARE IN INCHES.**

TOLERANCES ON DECIMALS    ANGLES

0 = ± 0.030                      ± 1/2°

00 = ± 0.010

000 = ± 0.005

FRACTIONAL ± 1/64"

1. ALL INSIDE EDGES TO HAVE .005" TO .035" FILLETS.

2. ALL OUTSIDE EDGES TO HAVE .005" TO .015" CHAMFER OR RADIUS.

125  $\sqrt{\quad}$  ON ALL MACHINED SURFACES

**PROPRIETARY AND CONFIDENTIAL**

THE INFORMATION CONTAINED IN THIS DRAWING IS THE SOLE PROPERTY OF THE WILL-BURT COMPANY ANY REPRODUCTION IN PART OR WHOLE WITHOUT THE WRITTEN PERMISSION OF THE WILL-BURT COMPANY IS PROHIBITED.

**WB** AN EMPLOYEE OWNED COMPANY  
WILL-BURT                      ORRVILLE, OH

TITLE  
**NSX 7.5 6000 4X1500  
OPT 220V**

APPROVALS	DATE
DRAWN RCC	11/11/2013
CHECKED	

SIZE	DWG NO	REV
B	722515103	00
PN: 722515103		SHEET 2 OF 2