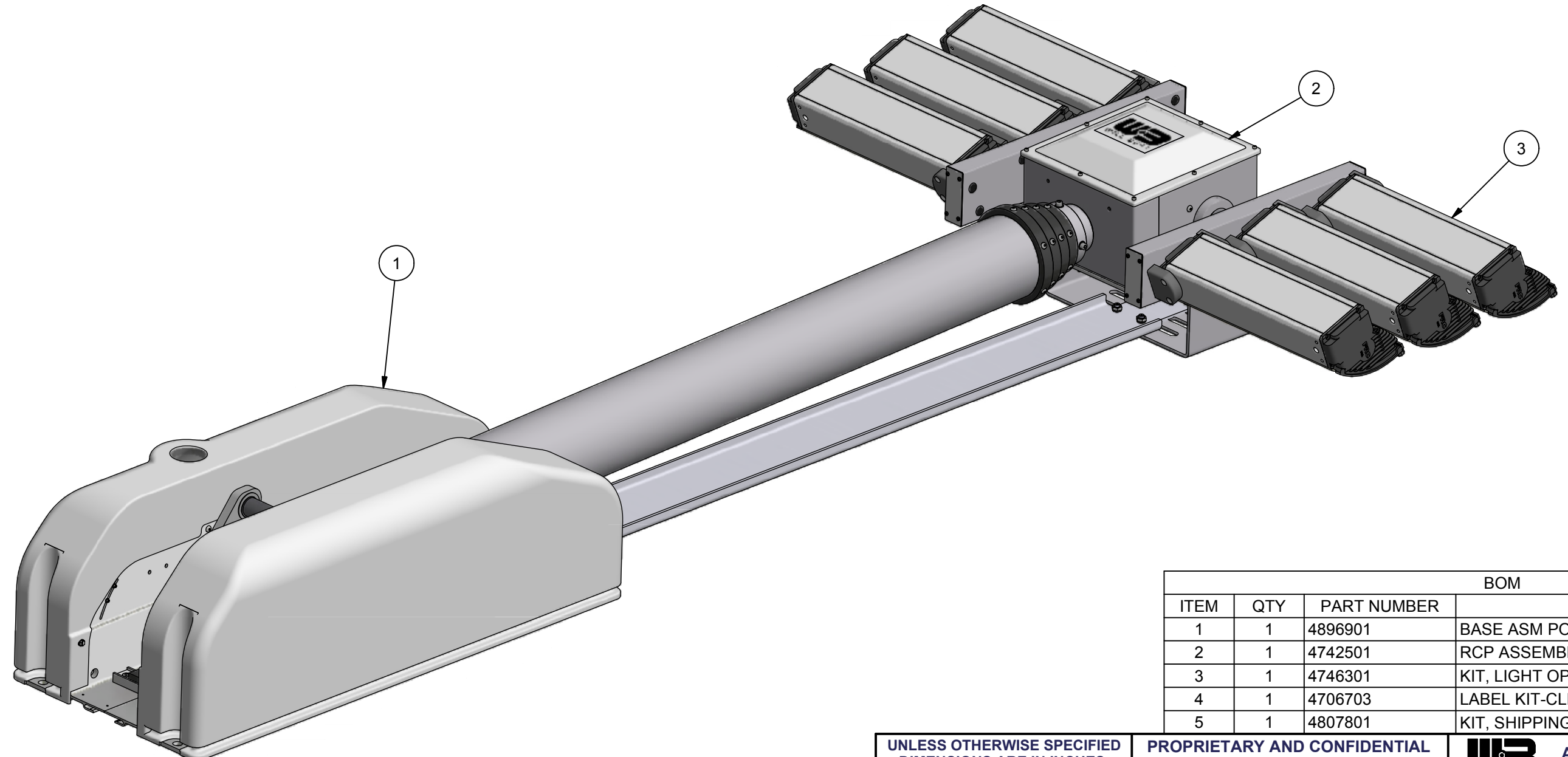


REVISION HISTORY				
ECN	REV	DESCRIPTION	DATE	BY/APPR
12086	00	INITIAL RELEASE	3/24/2014	RCC



BOM			
ITEM	QTY	PART NUMBER	DESCRIPTION
1	1	4896901	BASE ASM POWERLITE 6.0 CLR
2	1	4742501	RCP ASSEMBLY NSP STD
3	1	4746301	KIT, LIGHT OPT. 9000W (6) X 1500 220V
4	1	4706703	LABEL KIT-CLEAR CE (NOT SHOWN)
5	1	4807801	KIT, SHIPPING NSP (NOT SHOWN)

APPROX. WT:184.8 lbmass

THIRD ANGLE PROJECTION



UNLESS OTHERWISE SPECIFIED DIMENSIONS ARE IN INCHES.
 TOLERANCES ON DECIMALS ANGLES
 0 = ± 0.030 ± 1/2°
 00 = ± 0.010
 000 = ± 0.005
 FRACTIONAL ± 1/64"
 1. ALL INSIDE EDGES TO HAVE
 .005" TO .035" FILLETS.
 2. ALL OUTSIDE EDGES TO HAVE
 .005" TO .015" CHAMFER OR RADIUS.
 125√ ON ALL MACHINED SURFACES

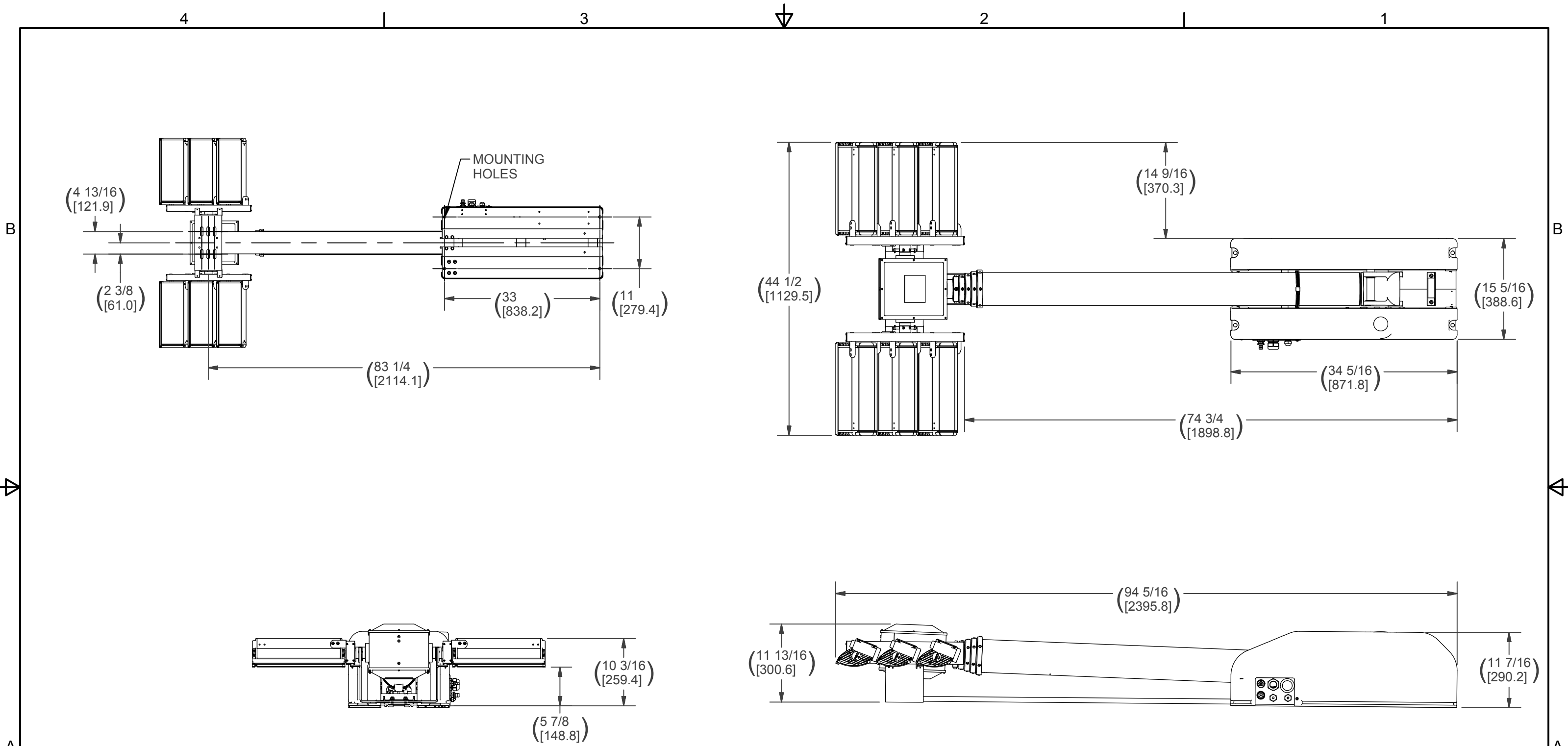
PROPRIETARY AND CONFIDENTIAL
 THE INFORMATION CONTAINED IN THIS DRAWING IS THE SOLE PROPERTY OF THE WILL-BURT COMPANY ANY REPRODUCTION IN PART OR WHOLE WITHOUT THE WRITTEN PERMISSION OF THE WILL-BURT COMPANY IS PROHIBITED.

W.B. WILL-BURT AN EMPLOYEE OWNED COMPANY
 ORRVILLE, OH

TITLE
**NS 6.0 9000 6X1500
 OPT 220VAC**

APPROVALS	DATE
DRAWN RCC	9/17/2013
CHECKED	

SIZE	DWG NO	REV
B	722078010	00
PN: 722078010		SHEET 1 OF 2



APPROX. WT:184.8 lbmass

THIRD ANGLE PROJECTION



UNLESS OTHERWISE SPECIFIED DIMENSIONS ARE IN INCHES.
 TOLERANCES ON DECIMALS ANGLES
 0 = ± 0.030 ± 1/2°
 00 = ± 0.010
 000 = ± 0.005
 FRACTIONAL ± 1/64"
 1. ALL INSIDE EDGES TO HAVE .005" TO .035" FILLETS.
 2. ALL OUTSIDE EDGES TO HAVE .005" TO .015" CHAMFER OR RADIUS.
 125° ON ALL MACHINED SURFACES

PROPRIETARY AND CONFIDENTIAL
 THE INFORMATION CONTAINED IN THIS DRAWING IS THE SOLE PROPERTY OF THE WILL-BURT COMPANY ANY REPRODUCTION IN PART OR WHOLE WITHOUT THE WRITTEN PERMISSION OF THE WILL-BURT COMPANY IS PROHIBITED.

W3 AN EMPLOYEE OWNED COMPANY
 WILL-BURT ORRVILLE, OH

TITLE
NS 6.0 9000 6X1500 OPT 220VAC

APPROVALS	DATE
DRAWN RCC	9/17/2013
CHECKED	

SIZE	DWG NO	REV
B	722078010	00
PN: 722078010		SHEET 2 OF 2