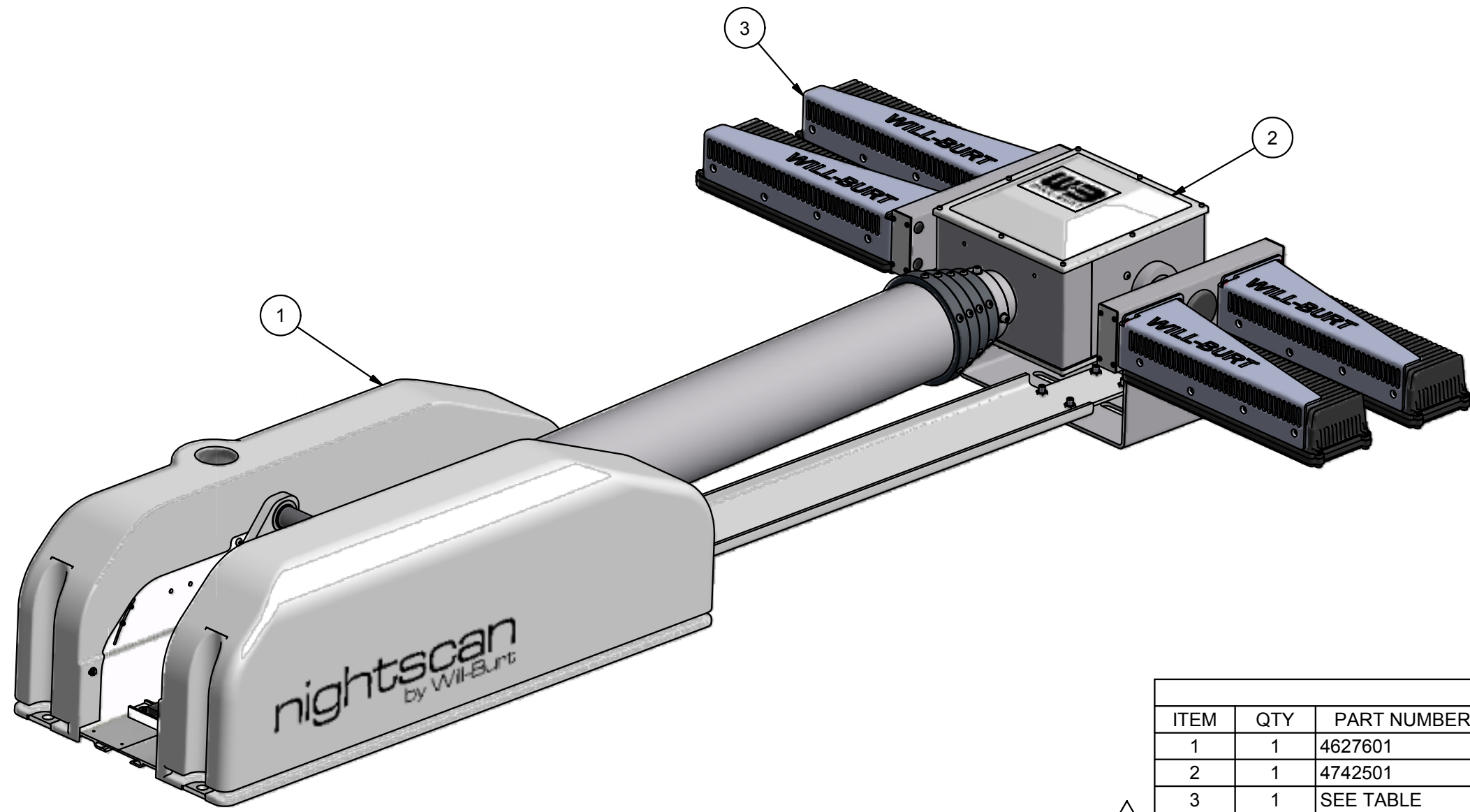


ASSEMBLY NO	DESCRIPTION	ITEM-3 P/N
721530001	NS 4.5-600 WHL LED 110 VAC SPT/FLD	4621603
721530011	NS 4.5-600 WHL LED 110 VAC FLD/FLD	4621602

REVISION HISTORY				
ECN	REV	DESCRIPTION	DATE	BY/APPR
10766	00	INITIAL RELEASE	10/31/2011	RCC\
11215	A	RESTRUCTURED BOM	8/21/2012	RCC\
11235	B	REPLACED 4706701 WITH 4706703	8/30/2012	CJY



BOM			
ITEM	QTY	PART NUMBER	DESCRIPTION
1	1	4627601	BASE ASSEMBLY NSP
2	1	4742501	RCP ASSEMBLY NSP STD
3	1	SEE TABLE	WHELEN LED LIGHTS
4	1	4706703	LABEL KIT-CLEAR CE (NOT SHOWN)
5	1	4807801	KIT, SHIPPING NSP (NOT SHOWN)

UNLESS OTHERWISE SPECIFIED DIMENSIONS ARE IN INCHES.
TOLERANCES ON DECIMALS ANGLES
0 = ± 0.030 ± 1/2°
00 = ± 0.010
000 = ± 0.005
FRACTIONAL ± 1/64"
1. ALL INSIDE EDGES TO HAVE .005" TO .035" FILLETS.
2. ALL OUTSIDE EDGES TO HAVE .005" TO .015" CHAMFER OR RADIUS.
125√ ON ALL MACHINED SURFACES

PROPRIETARY AND CONFIDENTIAL
THE INFORMATION CONTAINED IN THIS DRAWING IS THE SOLE PROPERTY OF THE WILL-BURT COMPANY ANY REPRODUCTION IN PART OR WHOLE WITHOUT THE WRITTEN PERMISSION OF THE WILL-BURT COMPANY IS PROHIBITED.

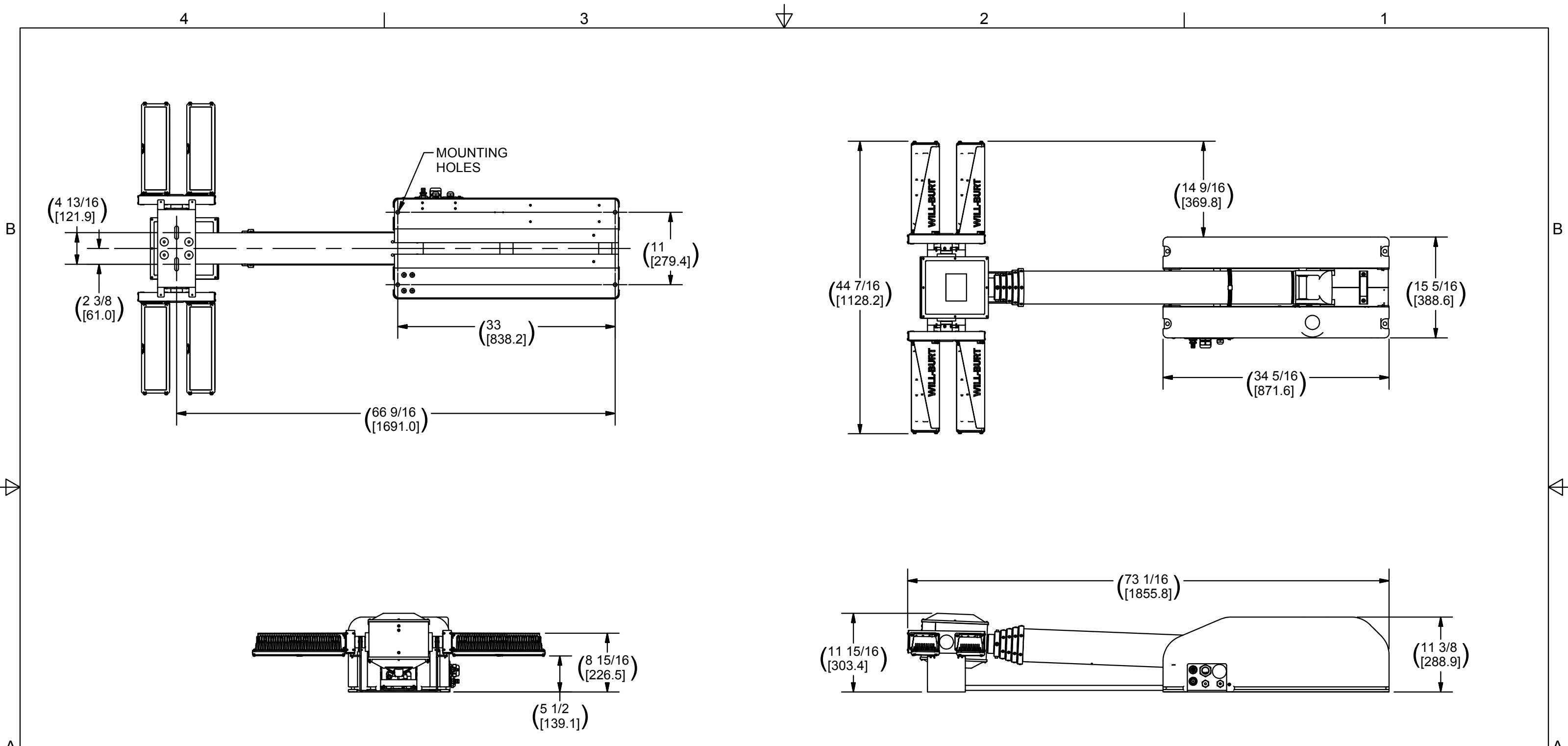
WILL-BURT AN EMPLOYEE OWNED COMPANY
ORRVILLE, OH

TITLE
NS 4.5-600 WHL LED 110 VAC

APPROVALS	DATE	SIZE	DWG NO	REV
DRAWN	RCC	10/31/2011	B	721530001
CHECKED				B

PN: 721530001 SHEET 1 OF 2

APPROX. WT:N/A
THIRD ANGLE PROJECTION



APPROX. WT: N/A

THIRD ANGLE PROJECTION

UNLESS OTHERWISE SPECIFIED DIMENSIONS ARE IN INCHES.

TOLERANCES ON DECIMALS ANGLES

0 = ± 0.030 ± 1/2°

00 = ± 0.010

000 = ± 0.005

FRACTIONAL ± 1/64"

1. ALL INSIDE EDGES TO HAVE .005" TO .035" FILLETS.

2. ALL OUTSIDE EDGES TO HAVE .005" TO .015" CHAMFER OR RADIUS.

$\sqrt[125]{}$ ON ALL MACHINED SURFACES

PROPRIETARY AND CONFIDENTIAL

THE INFORMATION CONTAINED IN THIS DRAWING IS THE SOLE PROPERTY OF THE WILL-BURT COMPANY ANY REPRODUCTION IN PART OR WHOLE WITHOUT THE WRITTEN PERMISSION OF THE WILL-BURT COMPANY IS PROHIBITED.

WB AN EMPLOYEE OWNED COMPANY
WILL-BURT ORRVILLE, OH

TITLE
NS 4.5-600 WHL LED 110 VAC

APPROVALS	DATE
DRAWN RCC	10/31/2011
CHECKED	

SIZE	DWG NO	REV
B	721530001	B
PN: 721530001		SHEET 2 OF 2