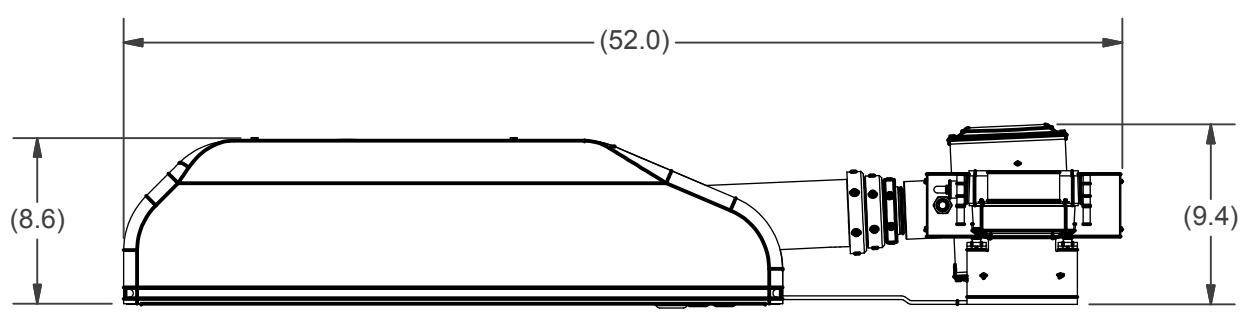
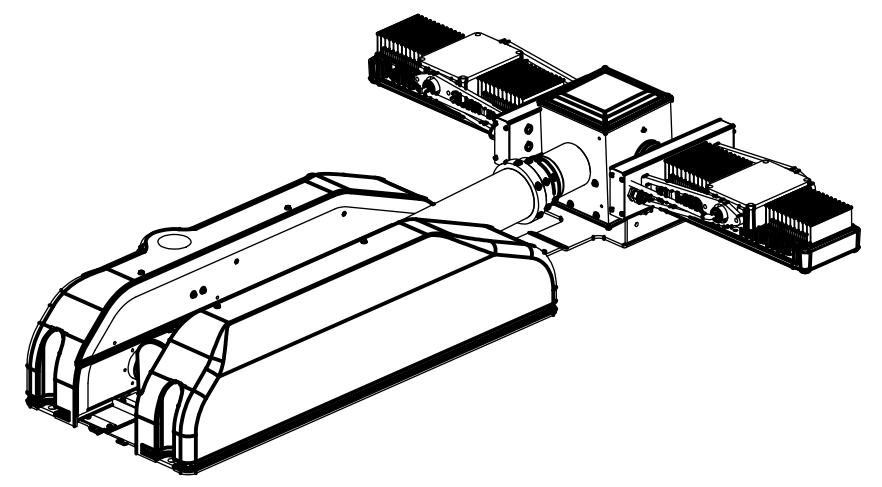
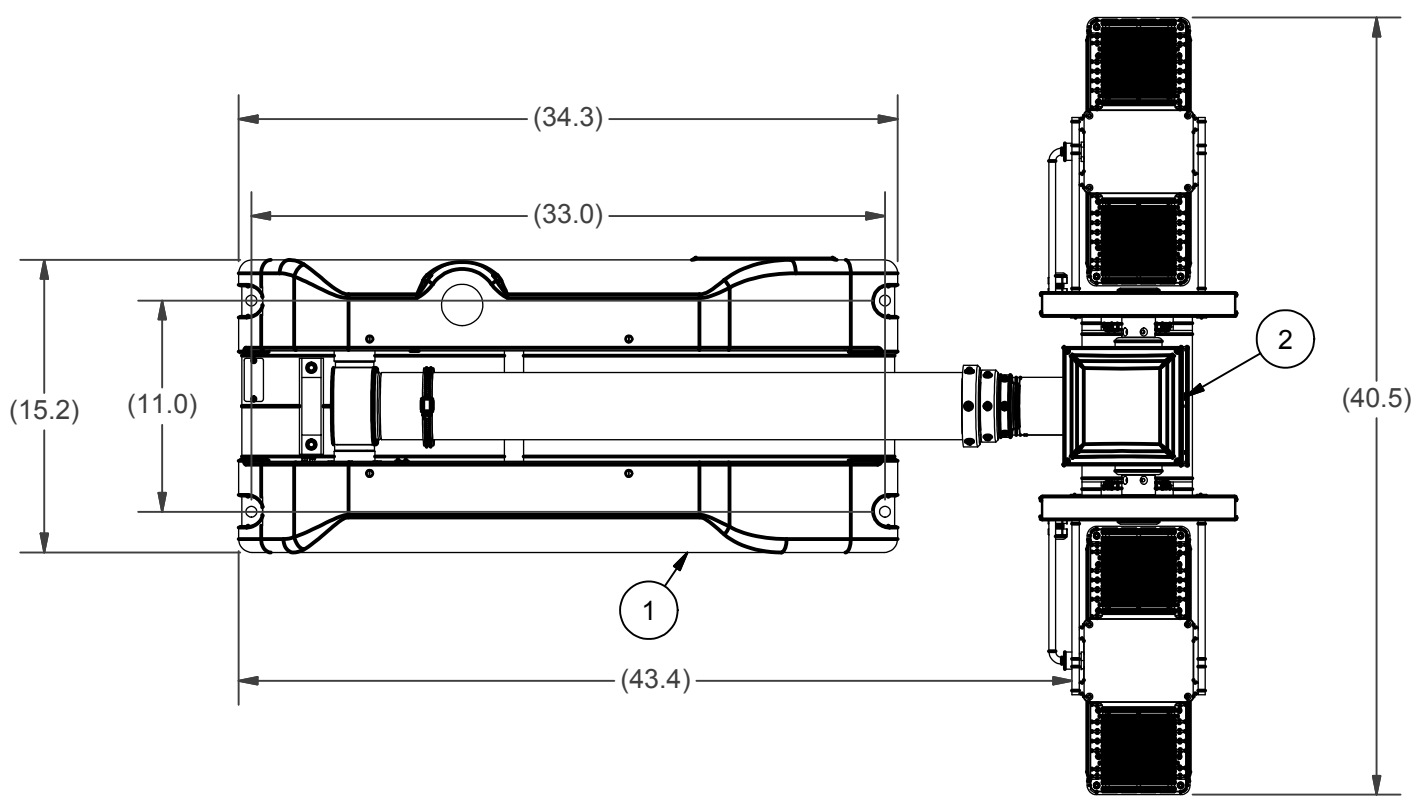


| REVISION HISTORY |     |                 |           |          |
|------------------|-----|-----------------|-----------|----------|
| ECN              | REV | DESCRIPTION     | DATE      | APPROVED |
| 13968            | 00  | INITIAL RELEASE | 4/20/2018 | RCC      |



NOTES:

- 1 APPLY RTV #739 OR EQUAL TO ALL OPEN HOLES.
- 2 SEE WIRING DIAGRAM WD-46276 FOR ALL UNITS.
- 3 SET LIGHT BARS HOME POSITION PARALLEL TO BASE PLATE WHEN STOWED.

| BOM  |     |             |  |
|------|-----|-------------|--|
| ITEM | QTY | PART NUMBER | DESCRIPTION                                    |
| 1    | 1   | 4522001     | BASE ASSEMBLY, 7.5 CLR                         |
| 2    | 1   | 4548301     | NSC RCP, LIGHTS ONLY                           |
| 3    | 1   | 4889002     | SPECTRA 460 (2X230W) 220VAC                    |
| 4    | 1   | 4558901     | NSC LABEL KIT (NOT SHOWN)                      |
| 5    | 1   | WD-46276    | WIRING DIAGRAM (NOT SHOWN)                     |
| 6    | 1   | TP-4602001  | MANUAL, NS 1.8/2.3, CE, CD VERSION (NOT SHOWN) |

**UNLESS OTHERWISE SPECIFIED DIMENSIONS ARE IN INCHES.**  
TOLERANCES ON DECIMALS ANGLES  
0 = ± 0.030 ± 1/2°  
00 = ± 0.010  
000 = ± 0.005  
FRACTIONAL ± 1/64"  
1. ALL INSIDE EDGES TO HAVE .005" TO .035" FILLETS.  
2. ALL OUTSIDE EDGES TO HAVE .005" TO .015" CHAMFER OR RADIUS.  
125 ON ALL MACHINED SURFACES

**PROPRIETARY AND CONFIDENTIAL**  
THE INFORMATION CONTAINED IN THIS DRAWING IS THE SOLE PROPERTY OF THE WILL-BURT COMPANY ANY REPRODUCTION IN PART OR WHOLE WITHOUT THE WRITTEN PERMISSION OF THE WILL-BURT COMPANY IS PROHIBITED.

**W3** AN EMPLOYEE OWNED COMPANY  
WILL-BURT ORRVILLE, OH

TITLE  
**NS 2.3 460 2-SPC LED  
240 VAC**

APPROX. WT:102.4 lbmass



|              |           |      |           |              |
|--------------|-----------|------|-----------|--------------|
| APPROVALS    | DATE      | SIZE | DWG NO    | REV          |
| DRAWN<br>RCC | 4/20/2018 | B    | 720781098 | 00           |
| CHECKED      |           | PN:  | 720781098 | SHEET 1 OF 1 |