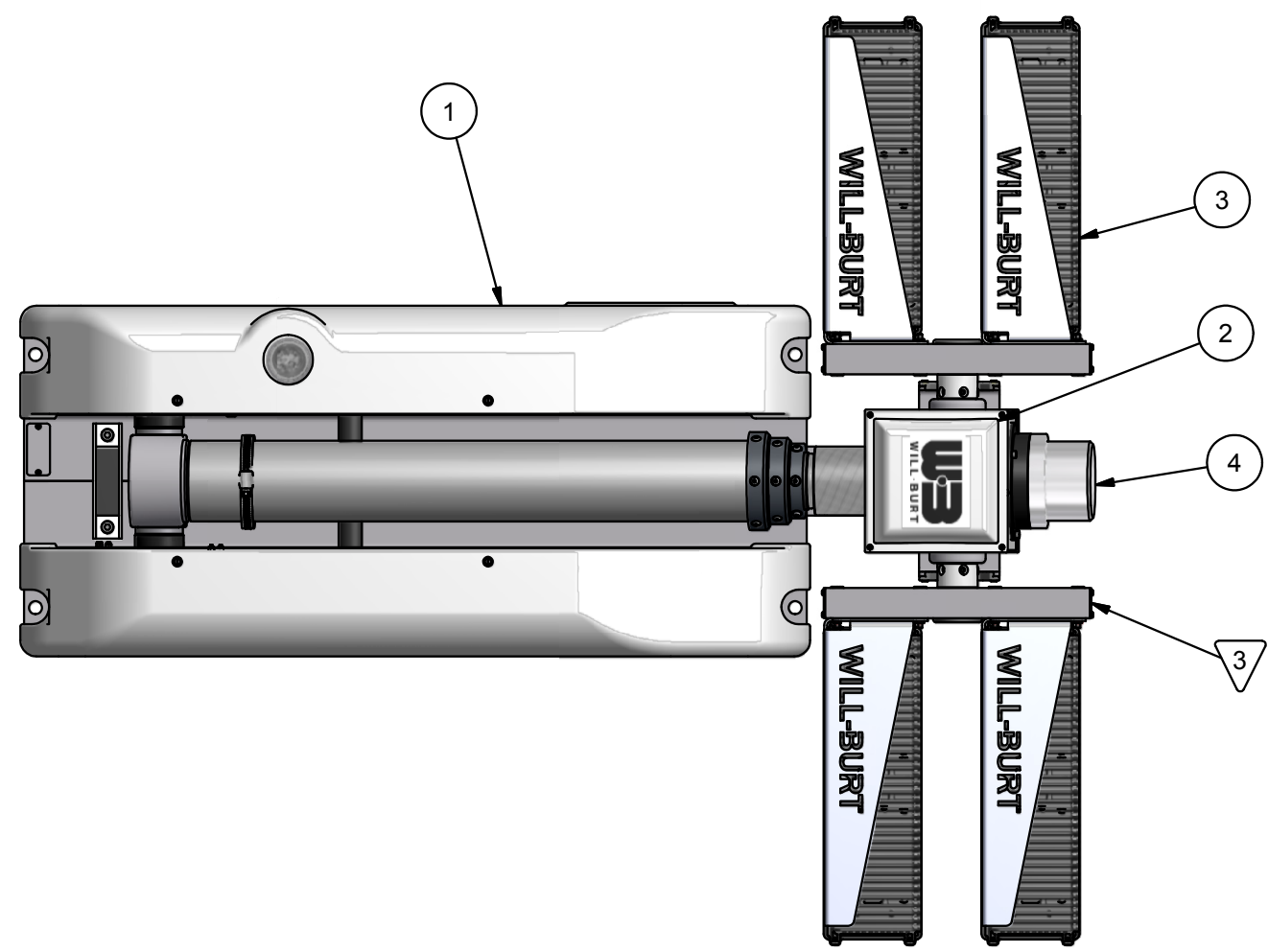


| Table | | ITEM-2 P/N | ITEM-3 P/N | ITEM-4 P/N |
|-------------|--|------------|------------|------------|
| PART NUMBER | DESCRIPTION | | | |
| 720612540 | NS 1.8 600 (4X150) LED 24VDC WHL FLD | 4548301 | 4597204 | NONE |
| 720612602 | NS 1.8 600 (4X150) LED 12VDC WHL FLD/SPT | 4548301 | 4597206 | NONE |
| 720612606 | NS 1.8 600 (4X150) LED 12VDC WHL FLD/FLD | 4548301 | 4597202 | NONE |
| 720612604 | NS 1.8 600 (4X150) LED 24VDC WHL FLD/SPT | 4548301 | 4597205 | NONE |
| 720613602 | NS 1.8 600 (4X150) LED 110VAC WHL FLD/SPT | 4548301 | 4621603 | NONE |
| 720613702 | NS 1.8 600 (4X150) LED 110VDC WHL FLD/FLD | 4548301 | 4621602 | NONE |
| 720613703 | NS 1.8 600 (4X150) LED 110VDC WHL FLD W/GRN STROBE | 4548305 | 4621602 | 4481603 |

| REVISION HISTORY | | | | |
|------------------|-----|--|------------|---------|
| ECN | REV | DESCRIPTION | DATE | BY/APPR |
| 10366 | Q | SEE ECN | 12/21/2011 | CJM\ |
| 10634 | R | NEW BOM - FROM OLD STYLE TO NEW COST REDUCED | 7/22/2011 | RCC\ |
| | T | Added 720612606 Assembly | 8/15/2011 | RCC\ |
| 10881 | U | REPLACE 4558902 WITH 4558901 | 1/17/2012 | CJY |



- NOTES:
- 1 APPLY RTV #739 OR EQUAL TO ALL OPEN HOLES.
 - 2 SEE WIRING DIAGRAM 46066 FOR ALL UNITS.
 - 3 SET LIGHT BARS HOME POSITION PARALLEL TO BASE PLATE WHEN STOWED.

| BOM | | | |
|------|-----|-------------|--|
| ITEM | QTY | PART NUMBER | DESCRIPTION |
| 1 | 1 | 4522003 | NSC BASE ASSEMBLY 6.0 WHITE |
| 2 | 1 | SEE TABLE | NSC RCP |
| 3 | 1 | SEE TABLE | WHELEN LIGHT KIT |
| 4 | 1 | SEE TABLE | Light, Strobe Kit |
| 5 | 1 | 4584001 | FILLER, CORRUGATED 9.0 X 14.5 X 6.0 |
| 6 | 1 | 4558901 | NSC LABEL KIT (NOT SHOWN) |
| 7 | 1 | 900600 | MAST OIL (SHIP LOOSE) (NOT SHOWN) |
| 8 | 1 | TP-4602001 | MANUAL, NS 1.8/2.3, CE, CD VERSION (NOT SHOWN) |

UNLESS OTHERWISE SPECIFIED DIMENSIONS ARE IN INCHES.

TOLERANCES ON DECIMALS ANGLES
 0 = ± 0.030 ± 1/2°
 00 = ± 0.010
 000 = ± 0.005

FRACTIONAL ± 1/64"

1. ALL INSIDE EDGES TO HAVE .005" TO .035" FILLETS.
 2. ALL OUTSIDE EDGES TO HAVE .005" TO .015" CHAMFER OR RADIUS.

APPROX. WT:N/A

THIRD ANGLE PROJECTION

125° ON ALL MACHINED SURFACES

PROPRIETARY AND CONFIDENTIAL
 THE INFORMATION CONTAINED IN THIS DRAWING IS THE SOLE PROPERTY OF THE WILL-BURT COMPANY ANY REPRODUCTION IN PART OR WHOLE WITHOUT THE WRITTEN PERMISSION OF THE WILL-BURT COMPANY IS PROHIBITED.

APPROVALS DATE
 DRAWN 7/22/2011
 RCC

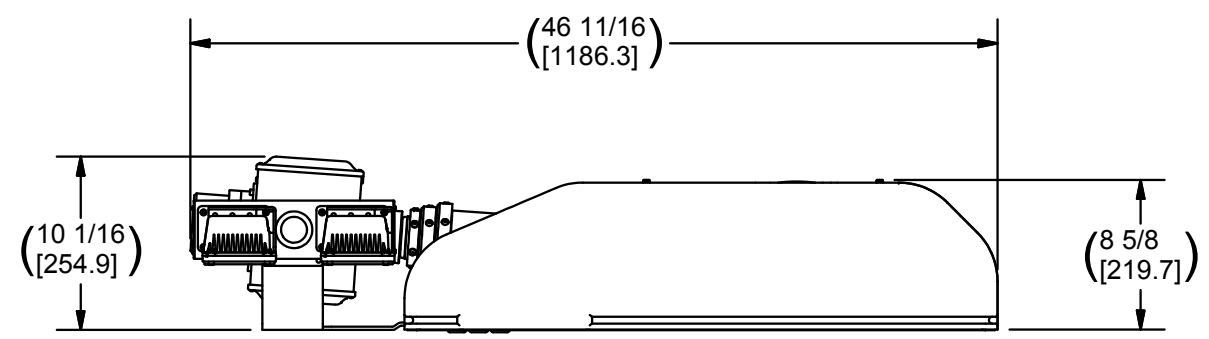
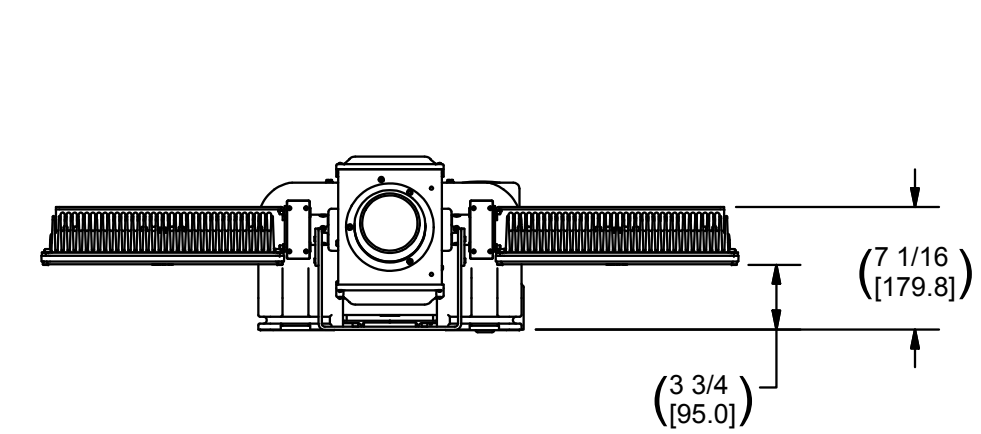
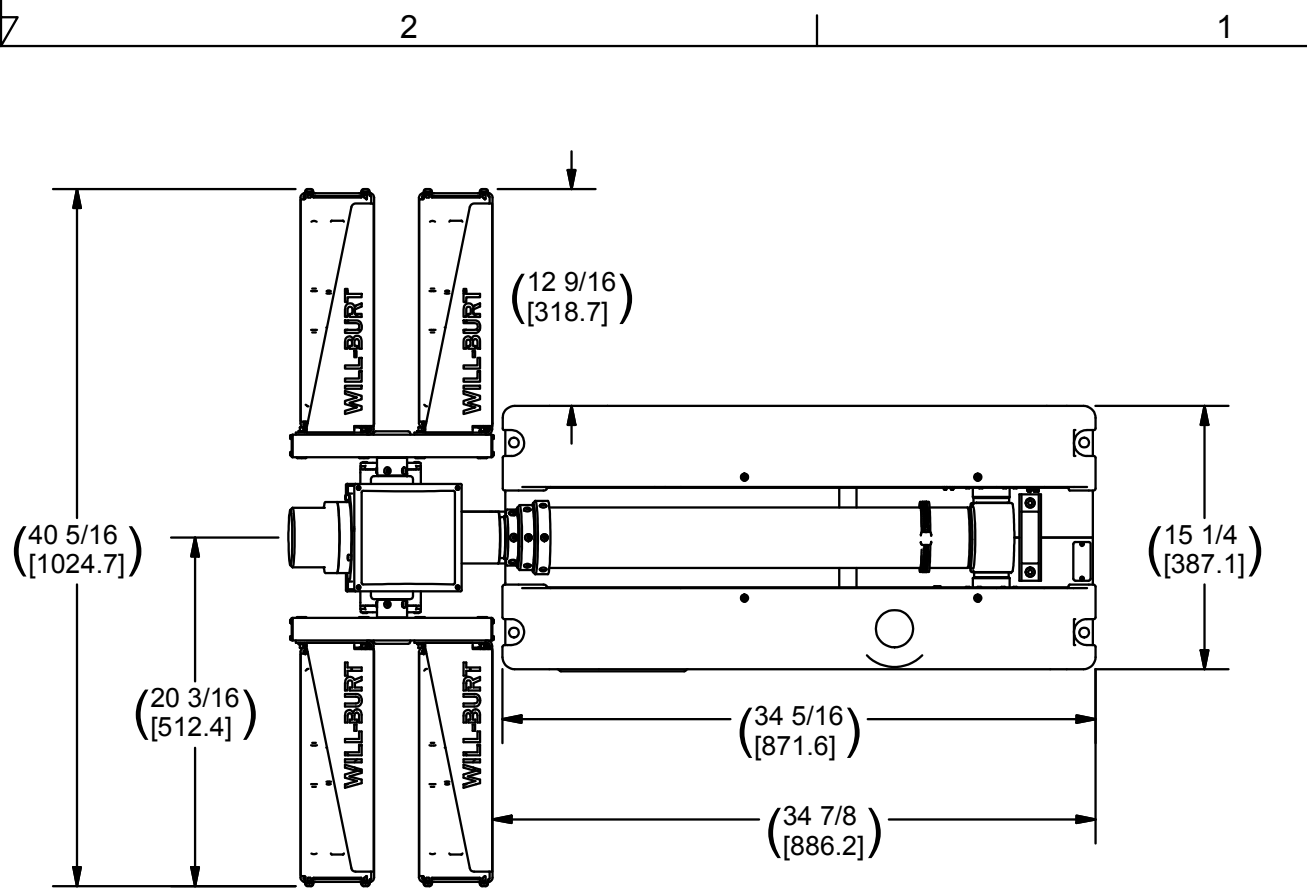
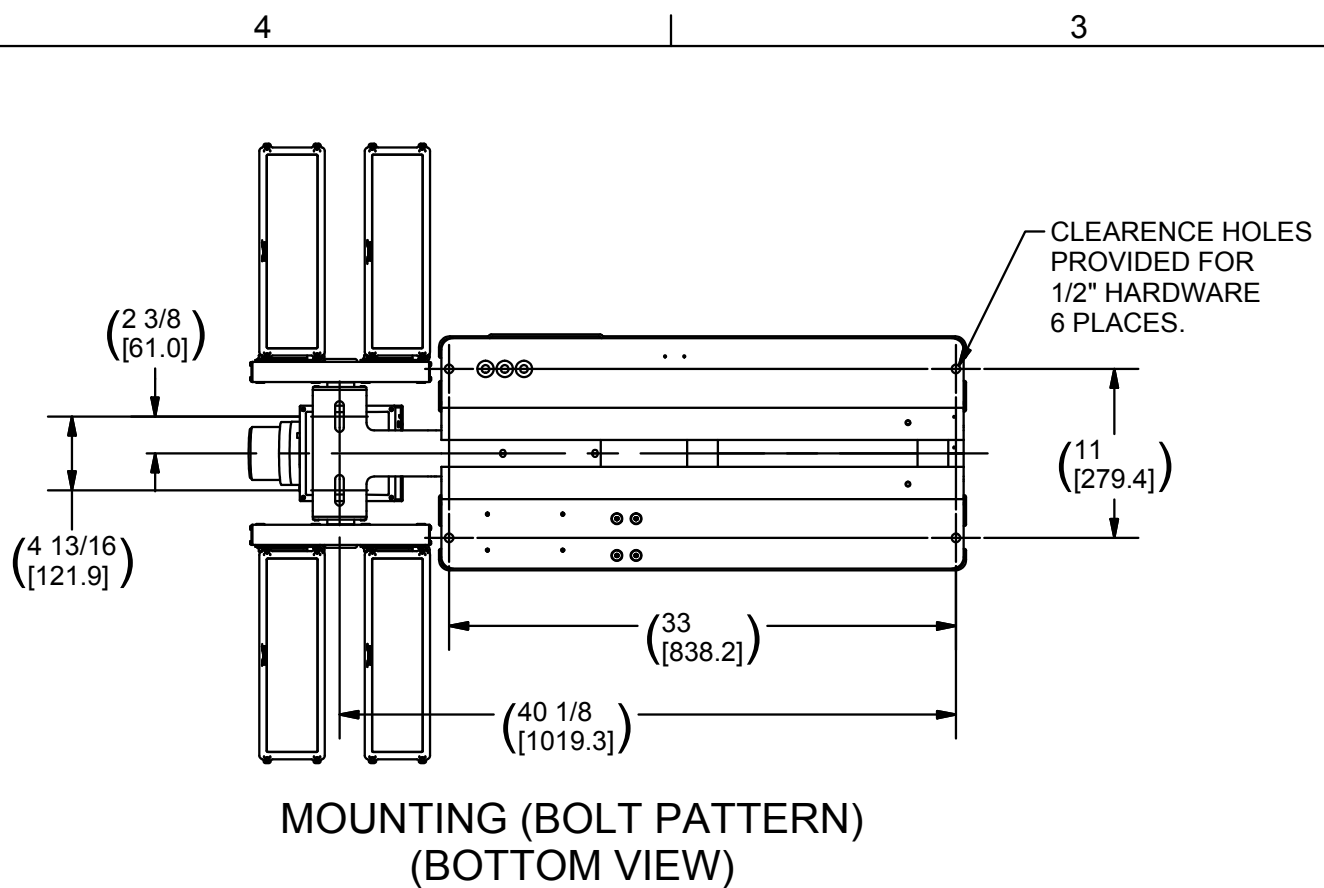
CHECKED

WILL-BURT AN EMPLOYEE OWNED COMPANY
 ORRVILLE, OH

TITLE
**NS 1.8 600 (4 X 150)
 LED WHL**

SIZE DWG NO REV
 B 720612540 U

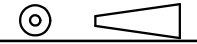
PN: SHEET 1 OF 2
 SEE TABLE ABOVE



NOTES:
PRIMARY DIMENSIONS INCHES
SECONDARY DIMENSIONS MILLIMETERS.

APPROX. WT:N/A

THIRD ANGLE PROJECTION



UNLESS OTHERWISE SPECIFIED
DIMENSIONS ARE IN INCHES.
TOLERANCES ON DECIMALS ANGLES
0 = ± 0.030 ± 1/2'
00 = ± 0.010
000 = ± 0.005
FRACTIONAL ± 1/64"
1. ALL INSIDE EDGES TO HAVE
.005" TO .035" FILLETS.
2. ALL OUTSIDE EDGES TO HAVE
.005" TO .015" CHAMFER OR RADIUS.
125 ON ALL MACHINED SURFACES

PROPRIETARY AND CONFIDENTIAL
THE INFORMATION CONTAINED IN THIS
DRAWING IS THE SOLE PROPERTY OF THE
WILL-BURT COMPANY ANY REPRODUCTION
IN PART OR WHOLE WITHOUT THE WRITTEN
PERMISSION OF THE WILL-BURT COMPANY IS
PROHIBITED.

WB AN EMPLOYEE OWNED COMPANY
WILL-BURT ORRVILLE, OH

TITLE
**NS 1.8 600 (4 X 150)
LED WHL**

| | |
|--------------|-----------|
| APPROVALS | DATE |
| DRAWN RCC | 7/22/2011 |
| CHECKED | |

| | | |
|-----------|---------------------|----------|
| SIZE B | DWG NO 720612540 | REV U |
|-----------|---------------------|----------|

PN: SEE TABLE ABOVE SHEET 2 OF 2

ALL SPECIFICATIONS SUBJECT TO CHANGE WITHOUT NOTICE.