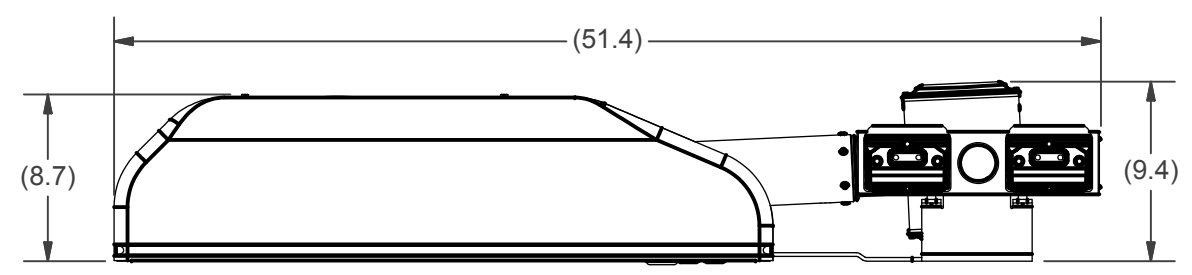
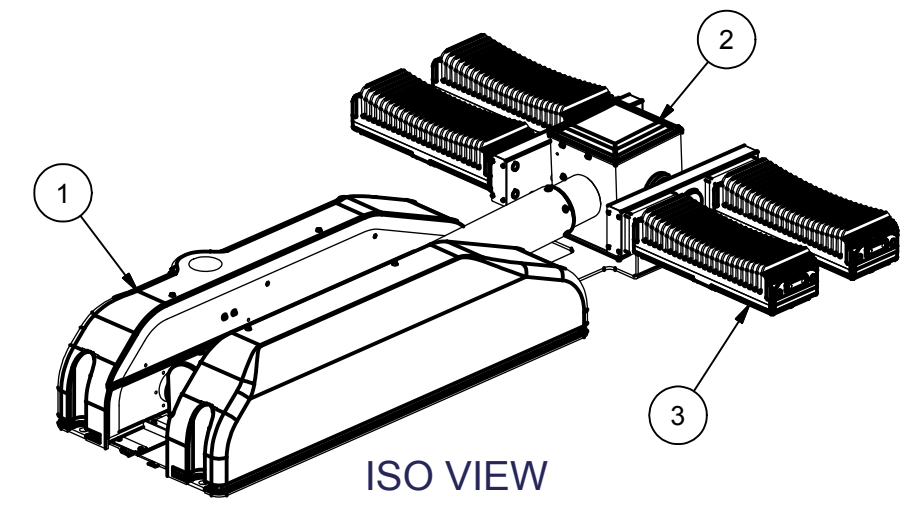
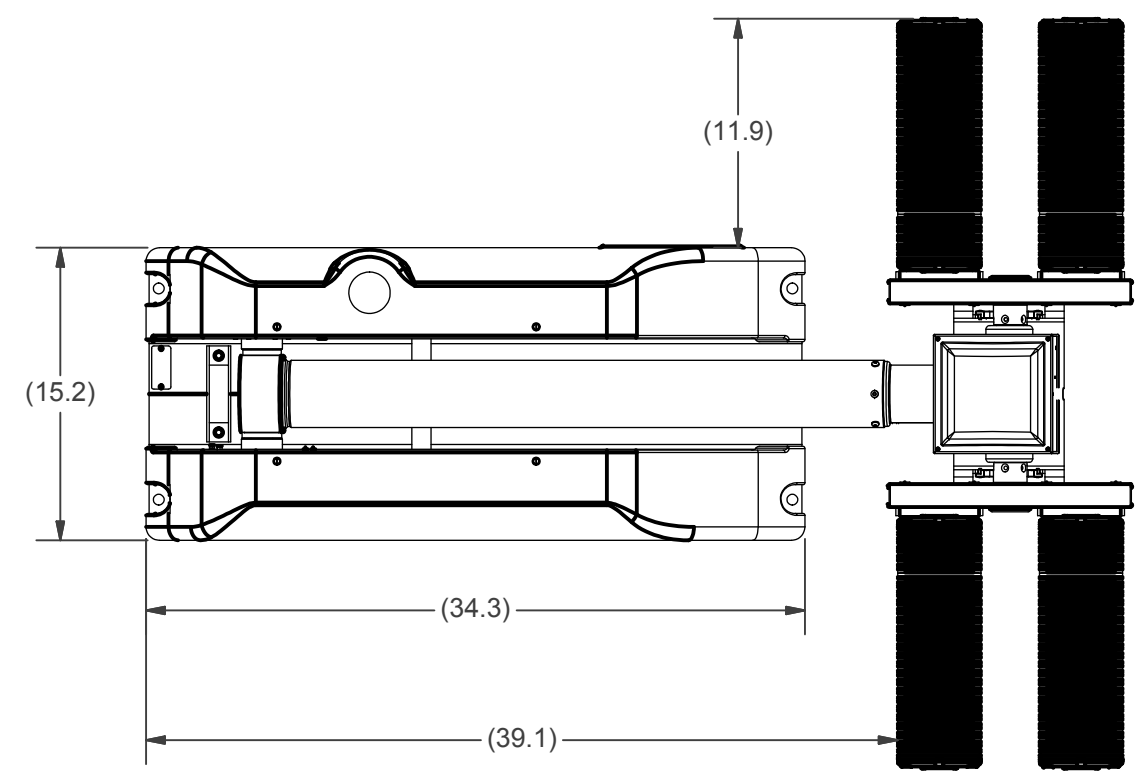


REVISION HISTORY				
ECN	REV	DESCRIPTION	DATE	APPROVED
13739	00	INITIAL RELEASE	8/24/2017	RCC



BOM			
ITEM	QTY	PART NUMBER	DESCRIPTION
1	1	5351401	NSC BASE ASSY 1.0M CHF/SCT CLR
2	1	4548301	NSC RCP, LIGHTS ONLY
3	1	5048201	KIT, NSXL-200 4LIGHTS 500W 12-60VDC
4	1	4558901	NSC LABEL KIT (NOT SHOWN)
5	1	WD-46276	WIRING DIAGRAM (NOT SHOWN)
6	1	TP-4602001	NS CHIEF 1.8/2.3 OPERATOR'S MANUAL (NOT SHOWN)

- NOTE:
- 1 APPLY RTV #739 OR EQUAL TO ALL OPEN HOLES.
 - 2 SEE WIRING DIAGRAM WD-46276 FOR ALL UNITS.
 - 3 SET LIGHT BARS HOME POSITION PARALLEL TO BASE PLATE WHEN STOWED.

APPROX. WT:112.6 lbmass



UNLESS OTHERWISE SPECIFIED DIMENSIONS ARE IN INCHES.
TOLERANCES ON DECIMALS ANGLES
0 = ± 0.030 ± 1/2°
00 = ± 0.010
000 = ± 0.005
FRACTIONAL ± 1/64"
1. ALL INSIDE EDGES TO HAVE .005" TO .035" FILLETS.
2. ALL OUTSIDE EDGES TO HAVE .005" TO .015" CHAMFER OR RADIUS.
125 ON ALL MACHINED SURFACES

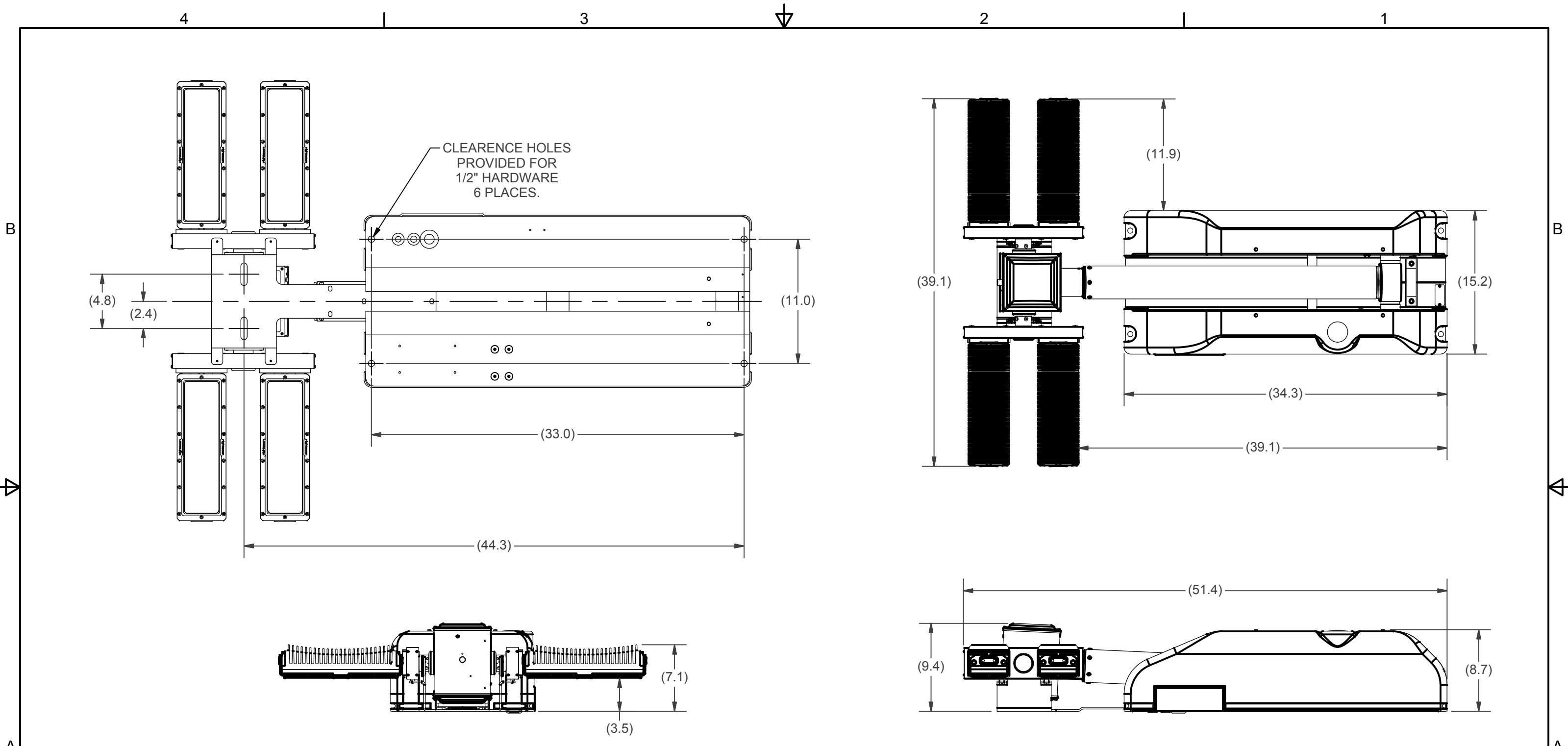
PROPRIETARY AND CONFIDENTIAL
THE INFORMATION CONTAINED IN THIS DRAWING IS THE SOLE PROPERTY OF THE WILL-BURT COMPANY ANY REPRODUCTION IN PART OR WHOLE WITHOUT THE WRITTEN PERMISSION OF THE WILL-BURT COMPANY IS PROHIBITED.

WILL-BURT AN EMPLOYEE OWNED COMPANY
ORRVILLE, OH

TITLE
NCS 1.0 CHF/SCT 500W, 4 NSXL-200 12/60 WHT

APPROVALS	DATE
DRAWN RCC	8/24/2017
CHECKED	

SIZE	DWG NO	REV
B	720351244	00
PN: 720351244		SHEET 1 OF 2



APPROX. WT:112.6 lbmass

THIRD ANGLE PROJECTION



UNLESS OTHERWISE SPECIFIED DIMENSIONS ARE IN INCHES.
 TOLERANCES ON DECIMALS ANGLES
 0 = ± 0.030 ± 1/2°
 00 = ± 0.010
 000 = ± 0.005
 FRACTIONAL ± 1/64"
 1. ALL INSIDE EDGES TO HAVE .005" TO .035" FILLETS.
 2. ALL OUTSIDE EDGES TO HAVE .005" TO .015" CHAMFER OR RADIUS.
 125√ ON ALL MACHINED SURFACES

PROPRIETARY AND CONFIDENTIAL
 THE INFORMATION CONTAINED IN THIS DRAWING IS THE SOLE PROPERTY OF THE WILL-BURT COMPANY ANY REPRODUCTION IN PART OR WHOLE WITHOUT THE WRITTEN PERMISSION OF THE WILL-BURT COMPANY IS PROHIBITED.

WB AN EMPLOYEE OWNED COMPANY
 WILL-BURT ORRVILLE, OH

TITLE
NCS 1.0 CHF/SCT 500W, 4 NSXL-200 12/60 WHT

APPROVALS	DATE
DRAWN RCC	8/24/2017
CHECKED	

SIZE B	DWG NO 720351244	REV 00
PN: 720351244	SHEET 2 OF 2	