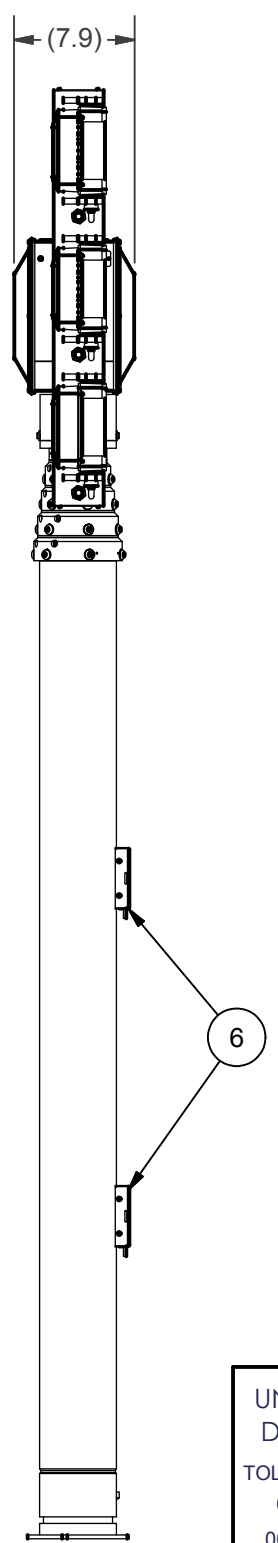
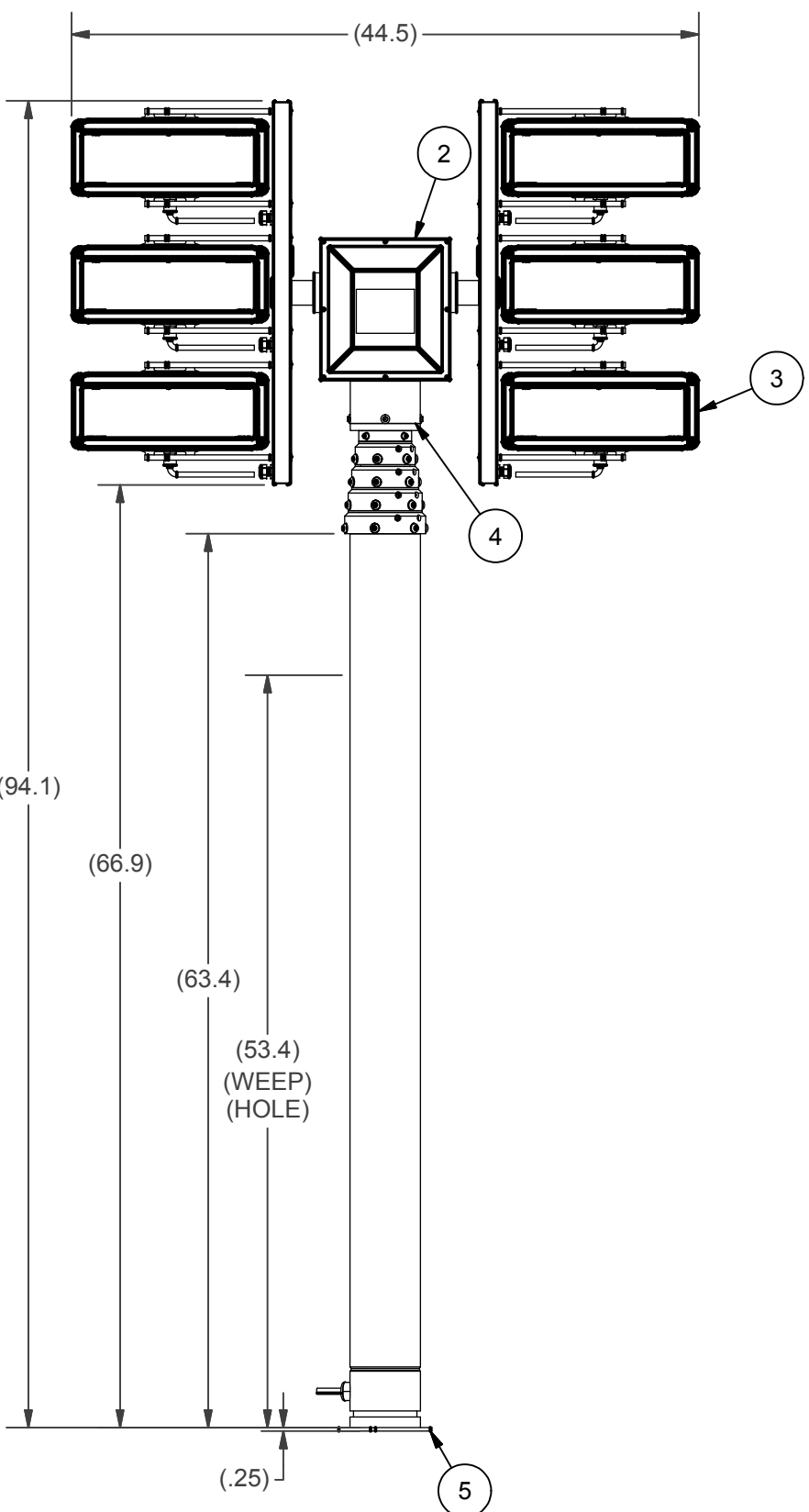


REVISION HISTORY				
ECN	REV	DESCRIPTION	DATE	BY/APPR
12516	00	INITIAL RELEASE	12/29/2014	RCC\



NOTE:
SEE SALES ORDER FOR EXTRA ITEMS TO BE SHIPPED

BOM			
ITEM	QTY	PART NUMBER	DESCRIPTION
1	REF	914428	VRT MAST L.D. 6-20 IWM
2	1	4742519	RCP ASSEMBLY NS VERTICAL
3	1	4742006	KIT, LIGHT SPC MAX-S 2016 (6X336W)240AC
4	1	4548201	O-RING, BUNA AS568A244
5	REF	914981	5" Base Plate NR
6	REF	915422	Magnetic Switch Bracket Asm.
7	1	4267401	POWERLITE VERT. ACCESSORY KIT (Not Shown)
8	1	4356901	FOAM INSERTS AND CARTON KIT (Not Shown)

UNLESS OTHERWISE SPECIFIED
DIMENSIONS ARE IN INCHES.

TOLERANCES ON DECIMALS ANGLES
0 = ± 0.030 ± 1/2°
00 = ± 0.010
000 = ± 0.005

FRACTIONAL ± 1/64"
1. ALL INSIDE EDGES TO HAVE
.005" TO .035" FILLETS.
2. ALL OUTSIDE EDGES TO HAVE
.005" TO .015" CHAMFER OR RADIUS.

125° ON ALL MACHINED SURFACES

APPROX. WT:136.8 lbmass

THIRD ANGLE PROJECTION



PROPRIETARY AND CONFIDENTIAL
THE INFORMATION CONTAINED IN THIS
DRAWING IS THE SOLE PROPERTY OF THE
WILL-BURT COMPANY ANY REPRODUCTION
IN PART OR WHOLE WITHOUT THE WRITTEN
PERMISSION OF THE WILL-BURT COMPANY IS
PROHIBITED.

W.B. WILL-BURT AN EMPLOYEE OWNED COMPANY
ORRVILLE, OH

TITLE
**VRT 2016W (6X336W) SPC
MAX-S 240VAC**

APPROVALS	DATE
DRAWN RCC	12/29/2014
CHECKED	

SIZE	DWG NO	REV
B	720079034	00
PN: 720079034		SHEET 1 OF 1