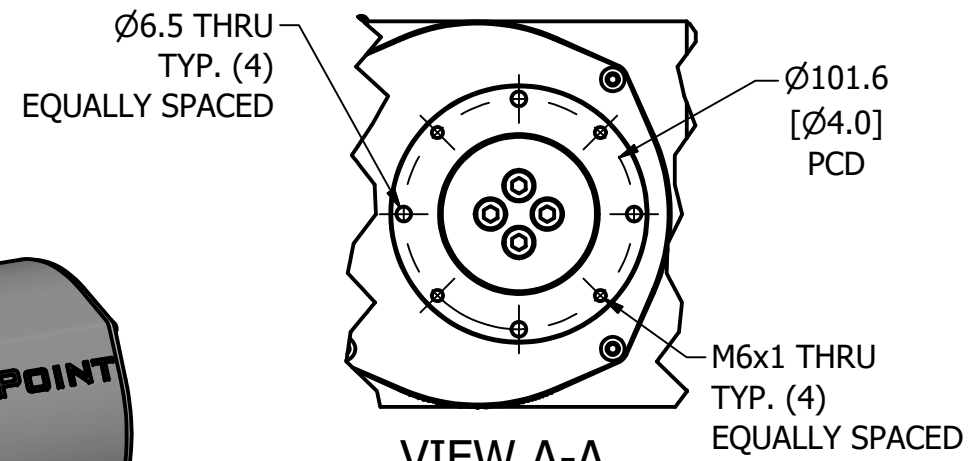
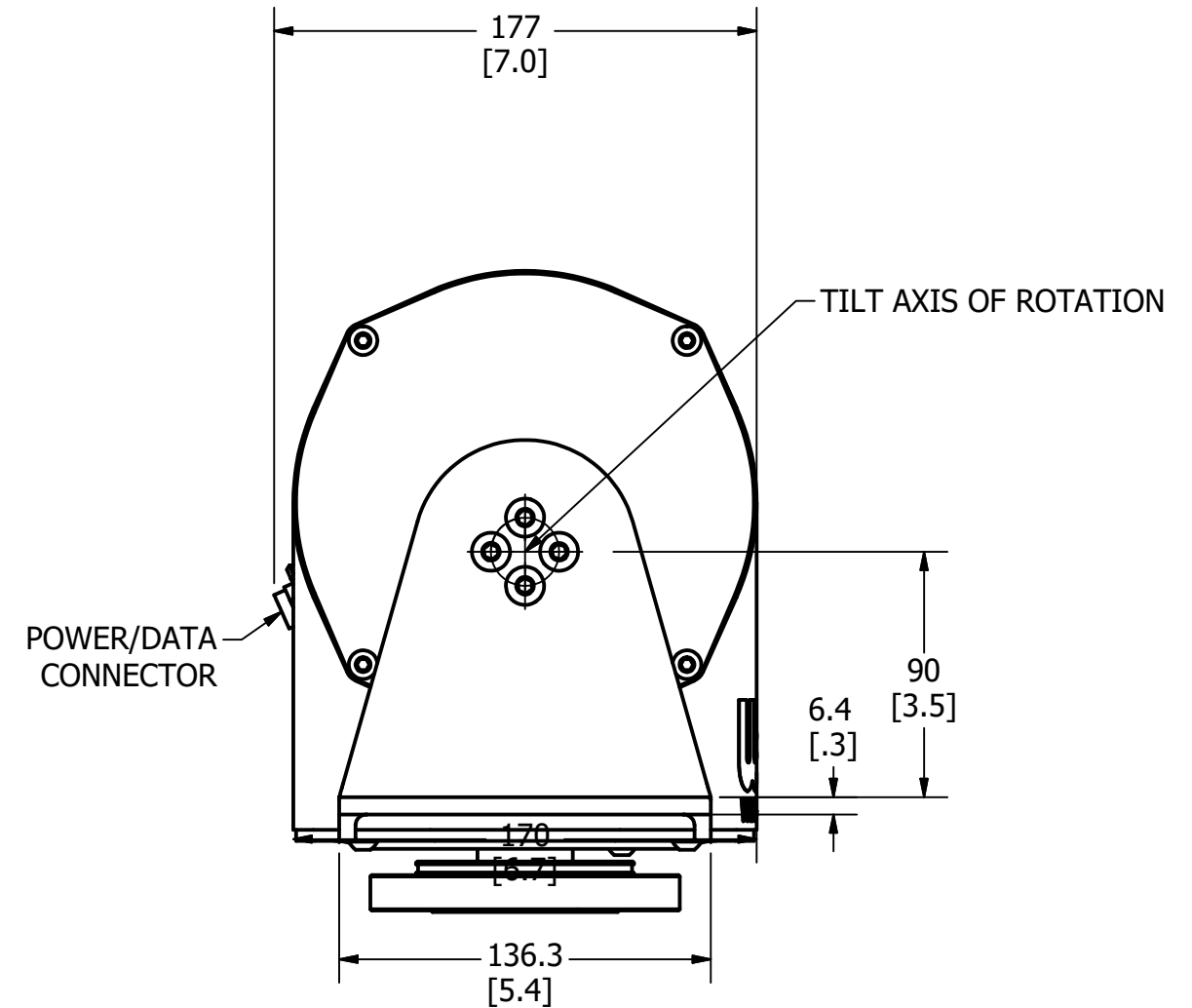
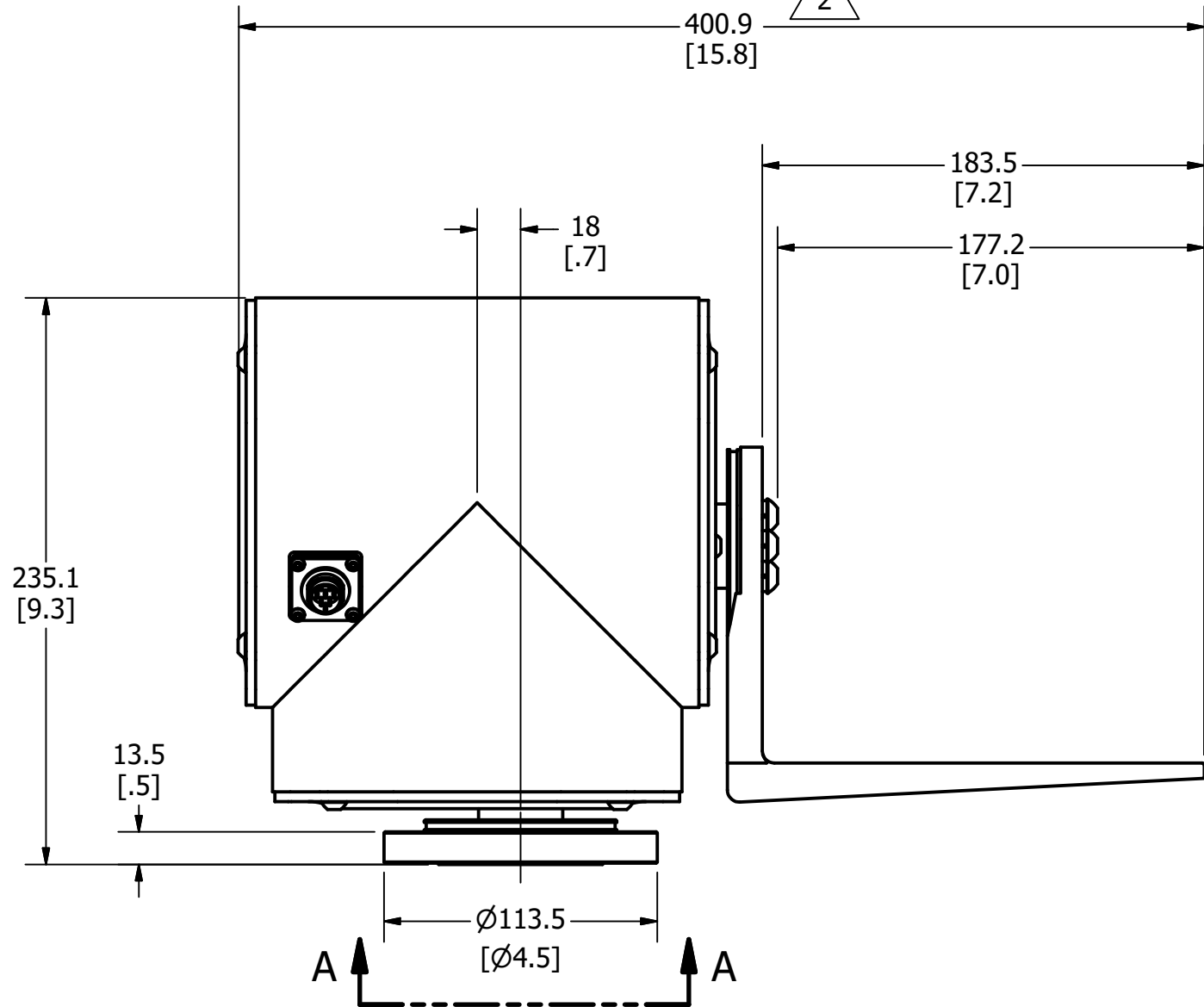


CUSTOMER DRAWING 1 OF 2



VIEW A-A
BASE MOUNTING RING

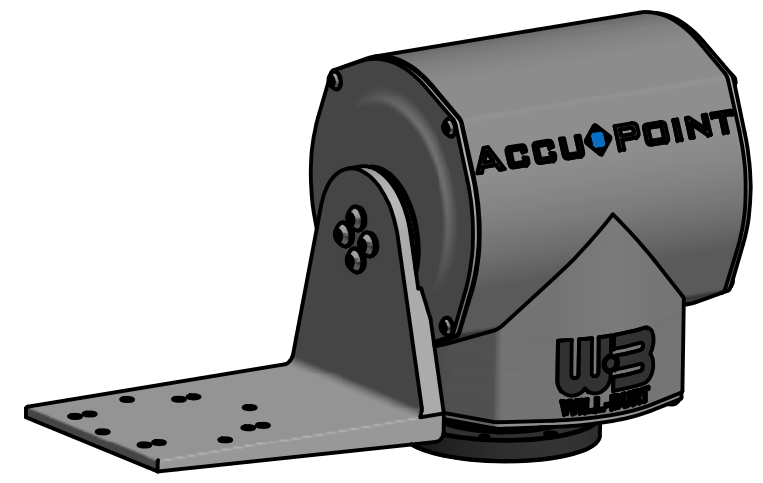


TABLE	
SPECIFICATION	VALUE
PAN GEAR BOX SPEED (MAX)	30°/sec
TILT GEAR BOX SPEED (MAX)	10°/sec
MAX LOAD	50 ft-lb
PAN RANGE	±180°
TILT RANGE	±90°
BACKLASH	0.15°
REPEATABILITY	< 0.3°
INGRESS PROTECTION	IP68
TEMPERATURE RANGE	-20°C to +50°C
POWER INPUT	24VDC (Standard)
MAX CURRENT DRAW	1.85 A
PROTOCOL	PELCO D
ABSOLUTE POSITIONING	YES
POSITIONAL FEEDBACK	YES
APPLICATION	STATIC

TABLE	
PART NUMBER	PAINT COLOR
HF262SXXDXRX2-00	GOOSE GREY
HF262SXXDXRX2-01	JET BLACK
HF262SXXDXRX2-02	WHITE

MATERIAL	UNLESS OTHERWISE SPECIFIED DIMENSIONS ARE IN MILLIMETERS [ALTERNATE UNITS IN INCHES]	PROPRIETARY AND CONFIDENTIAL THE INFORMATION CONTAINED IN THIS DRAWING IS THE SOLE PROPERTY OF THE WILL-BURT COMPANY. ANY REPRODUCTION IN PART OR WHOLE WITHOUT THE WRITTEN PERMISSION OF THE WILL-BURT COMPANY IS PROHIBITED.	AN EMPLOYEE OWNED COMPANY ORRVILLE, OH	
	FINISH		SEE TABLE	TITLE CUSTOMER DRAWING AP-50, 30/10, Side Mount, 24VDC
APPROX. WT: 12.45kg [27.4 lb]	ALL DIMENSIONS AND PERFORMANCE PARAMETERS ARE PROVIDED FOR REFERENCE ONLY AND ARE SUBJECT TO CHANGE WITHOUT NOTICE. ALTERNATIVE FINISH OPTIONS AVAILABLE UPON REQUEST	APPROVALS DRAWN AD	DATE 13/06/2022	SIZE DWG NO A3 HF262SXXDXRX2
THIRD ANGLE PROJECTION		CHECKED AH	DATE 23/09/2022	REV 5
		SCALE: NONE		PN SEE TABLE

PAYLOAD MOUNTING PLATE
SCALE .75:1

FRONT

CUSTOMER DRAWING 2 OF 2

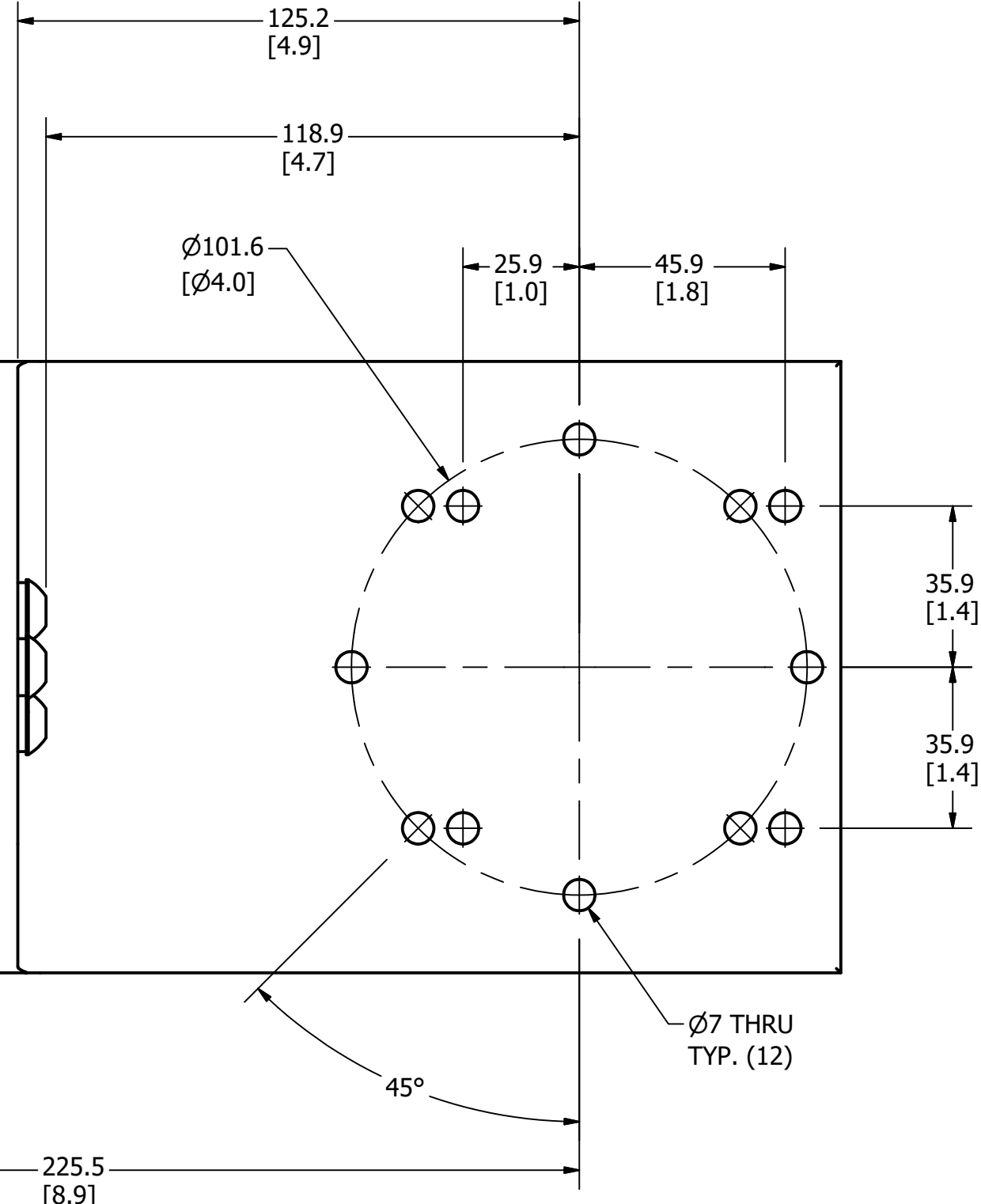
PAN AXIS OF ROTATION

POWER/DATA CONNECTOR

Ø101.6
[Ø4.0]

Ø7 THRU
TYP. (12)

45°



BACK

PAYLOAD PLATE MOUNTING
PATTERN DESIGNED FOR 4 INCH PCD

MATERIAL	UNLESS OTHERWISE SPECIFIED DIMENSIONS ARE IN MILLIMETERS [ALTERNATE UNITS IN INCHES]	PROPRIETARY AND CONFIDENTIAL THE INFORMATION CONTAINED IN THIS DRAWING IS THE SOLE PROPERTY OF THE WILL-BURT COMPANY. ANY REPRODUCTION IN PART OR WHOLE WITHOUT THE WRITTEN PERMISSION OF THE WILL-BURT COMPANY IS PROHIBITED.		AN EMPLOYEE OWNED COMPANY ORRVILLE, OH							
FINISH SEE TABLE ON PAGE 1	ALL DIMENSIONS AND PERFORMANCE PARAMETERS ARE PROVIDED FOR REFERENCE ONLY AND ARE SUBJECT TO CHANGE WITHOUT NOTICE.	<table border="1"> <thead> <tr> <th>APPROVALS</th> <th>DATE</th> </tr> </thead> <tbody> <tr> <td>DRAWN AD</td> <td>13/06/2022</td> </tr> <tr> <td>CHECKED AH</td> <td>23/09/2022</td> </tr> </tbody> </table>		APPROVALS	DATE	DRAWN AD	13/06/2022	CHECKED AH	23/09/2022	TITLE CUSTOMER DRAWING AP-50, 30/10, Side Mount, 24VDC	
APPROVALS	DATE										
DRAWN AD	13/06/2022										
CHECKED AH	23/09/2022										
APPROX. WT: 12.45kg [27.4 lb]	ALTERNATIVE FINISH OPTIONS AVAILABLE UPON REQUEST	SCALE: NONE	SIZE A3	DWG NO HF262SXXDXRX2	REV 5						
THIRD ANGLE PROJECTION			PN SEE TABLE								