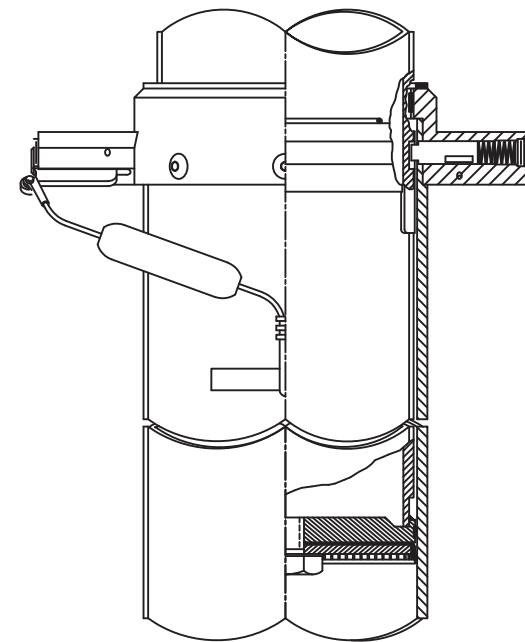
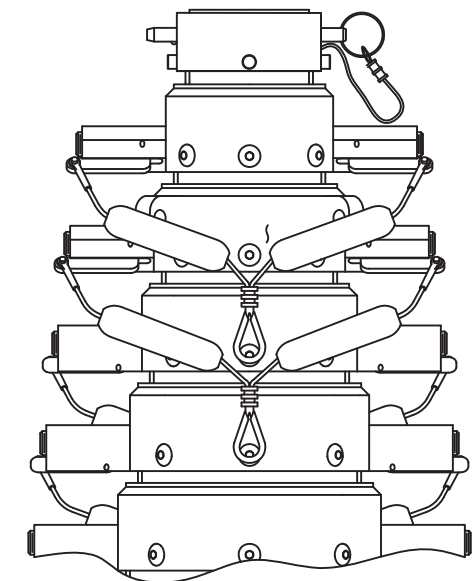
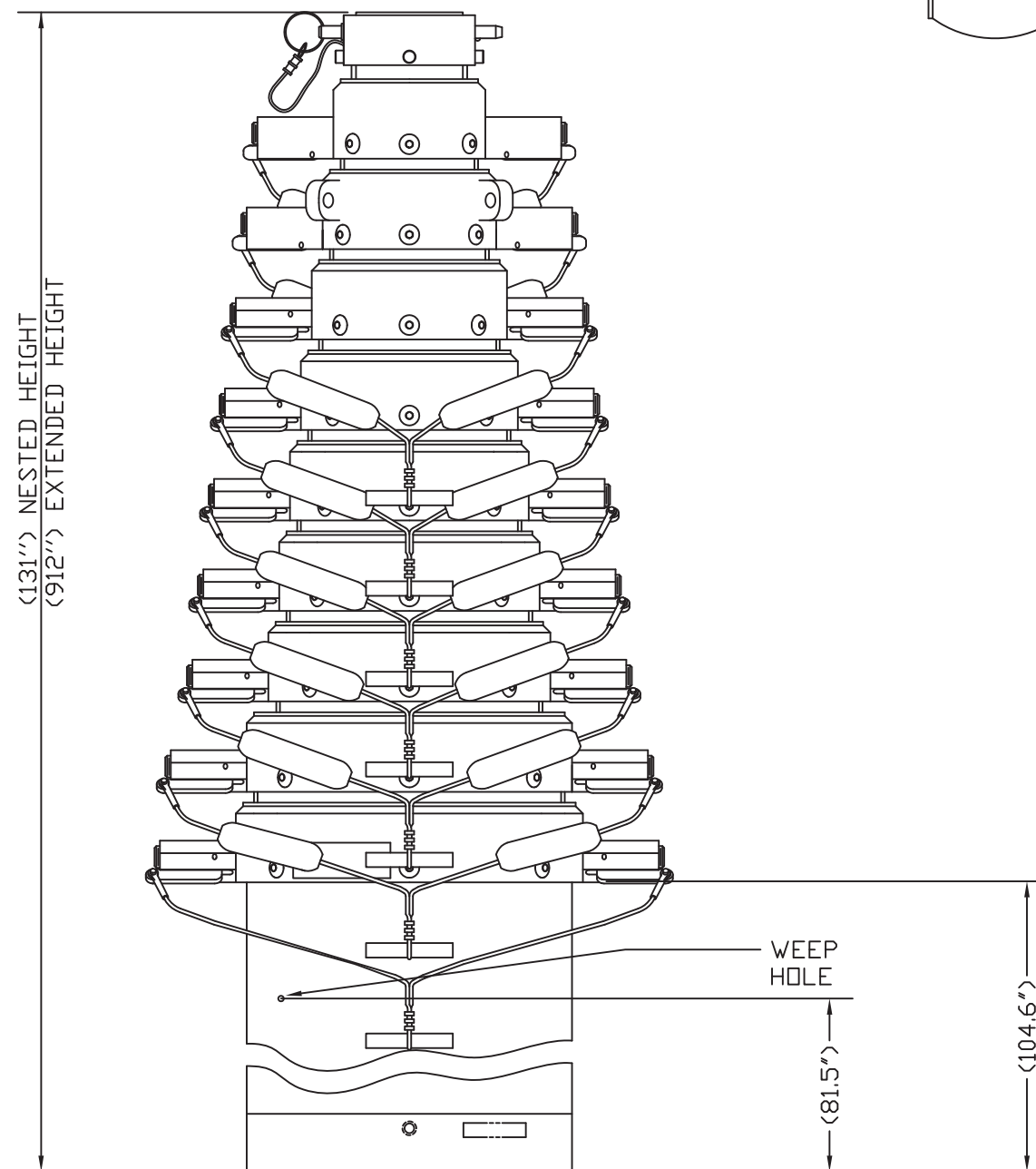



REVISIONS				
ECN	REV	DESCRIPTION	DATE	BY/APPVL
8302	E	REMOVED B-6273 FROM NOTE 9	7/20/06	KN/
9264	F	ADDED P/N 910917 TO BOM	8/28/08	MS/
9367	G	CHANGED P/N FOR ITEM 92	12/16/08	PCD/
10124	H	SEE ECN	7/23/10	MS/



FRONT VIEW OF MAST



REAR VIEW OF MAST

MATERIAL SEE BOM ABOVE	UNLESS OTHERWISE SPECIFIED DIMENSIONS ARE IN INCHES TOLERANCES ON: DECIMALS ANGLES 0 = ± 00 = ± 000 = ± FRACTIONS ± BREAK ALL SHARP CORNERS 125° ON ALL MACHINED SURFACES	THIS DOCUMENT CONTAINS PROPRIETARY INFORMATION AND SHALL NOT BE USED OR REPRODUCED OR ITS CONTENTS DISCLOSED IN WHOLE OR IN PART, WITHOUT THE PRIOR WRITTEN CONSENT OF THE WILL-BURT COMPANY.	 AN EMPLOYEE OWNED COMPANY ORRVILLE, OHIO	
			NEXT ASS'Y DESC. PNM 10.8-76 SHDL CE	
FINISH CLEAR ANODIZED - REF	SIGNATURE	DATE	SIZE	DWG. No.
	DR. BY DMW	3-12-02	B	B-1927
	CK. BY		SCALE	910916 SHEET 1 OF 1
	APP. BY			