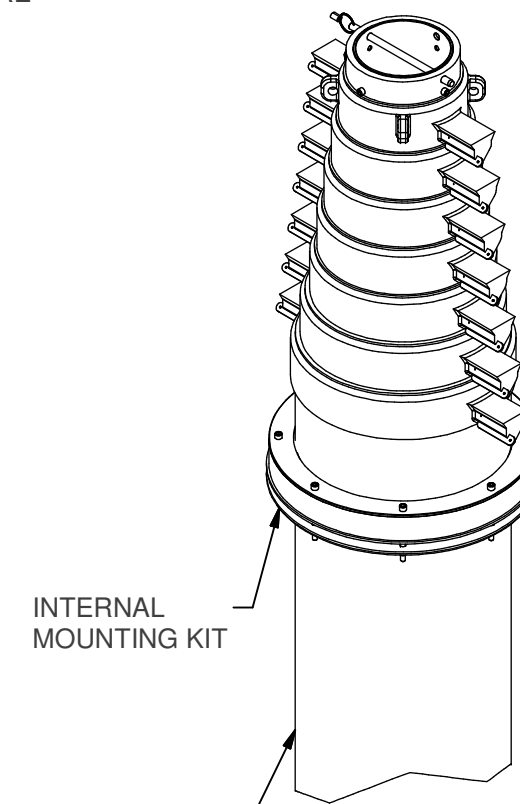
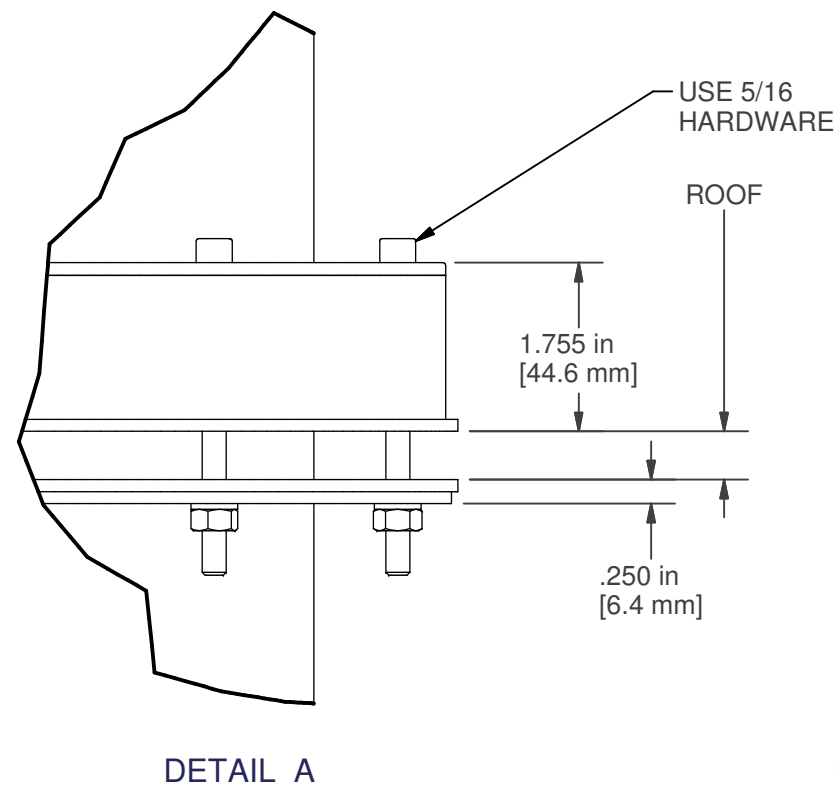
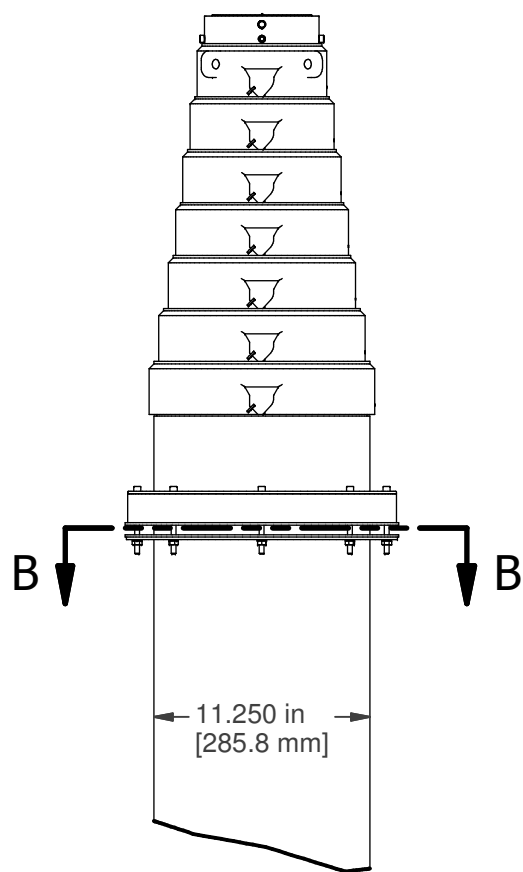
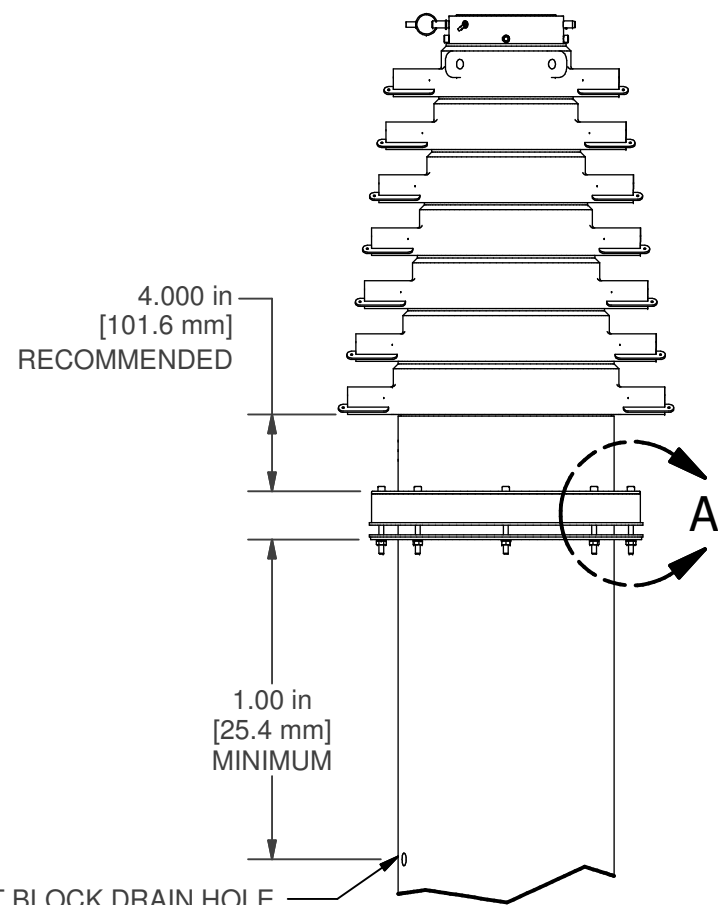
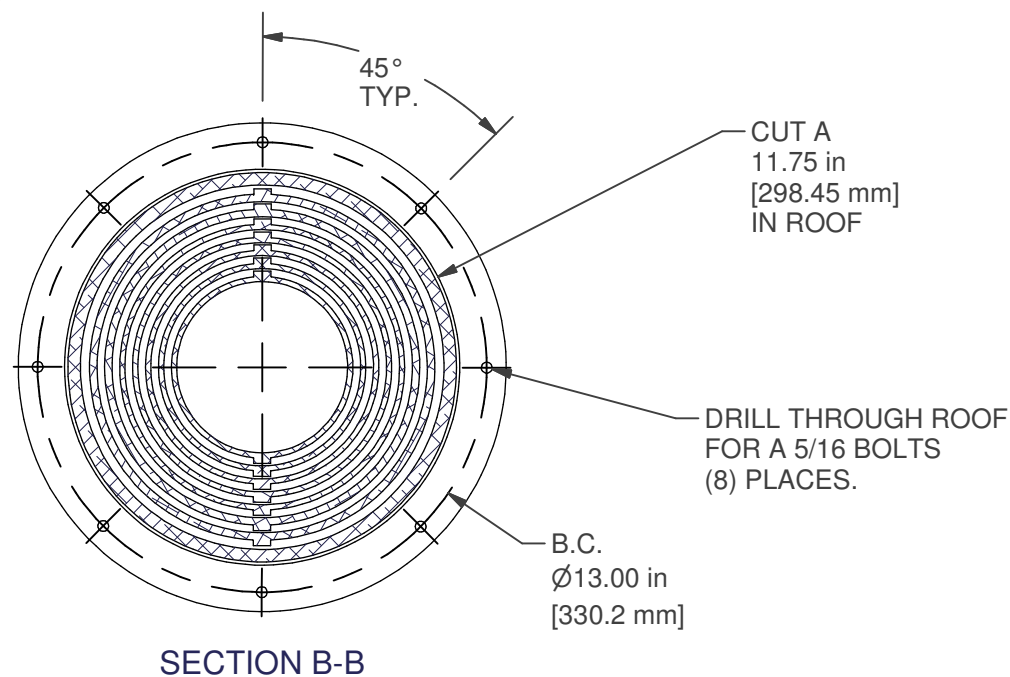


LOCKING AND NON-LOCKING INTERNAL MOUNT INSTALLATION



THE SAMPLE MAST SHOWN IS A 10.3-60 SUPER HEAVY DUTY LOCKING MAST. THESE INSTALLATION INSTRUCTION ARE THE SAME FOR ANY LOCKING OR NON-LOCKING SUPER HEAVY DUTY MAST.



FINISH REFERENCE TABLE	
PART NUMBER	FINISH
910784	CLEAR ANODIZE
<small>PROPRIETARY AND CONFIDENTIAL</small> <small>THE INFORMATION CONTAINED IN THIS DRAWING IS THE SOLE PROPERTY OF THE WILL-BURT COMPANY ANY REPRODUCTION IN PART OR WHOLE WITHOUT THE WRITTEN PERMISSION OF THE WILL-BURT COMPANY IS PROHIBITED.</small>	
AN EMPLOYEE OWNED COMPANY ORRVILLE, OH	
<small>TITLE:</small> PNEUMATIC MAST INSTALLATION DIMENSIONS	
<small>DESCRIPTION:</small> SUPER HEAVY DUTY INTERNAL MOUNTING KIT	
<small>UNLESS OTHERWISE SPECIFIED DIMENSIONS ARE IN INCHES</small>	
<small>ALL DIMENSIONS ARE REFERENCE</small>	
<small>THIRD ANGLE PROJECTION</small>	
APPROXIMATE WEIGHT:	DATE:
9.2 LBS	10/7/2013
DRAWN BY:	REV
msmith	S