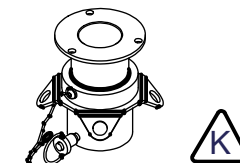
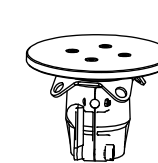
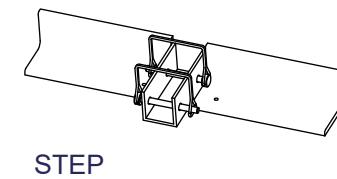
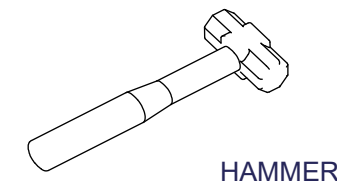
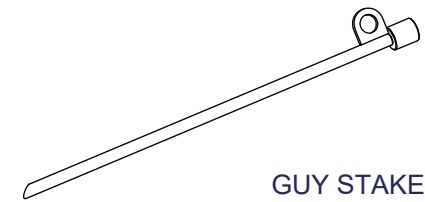
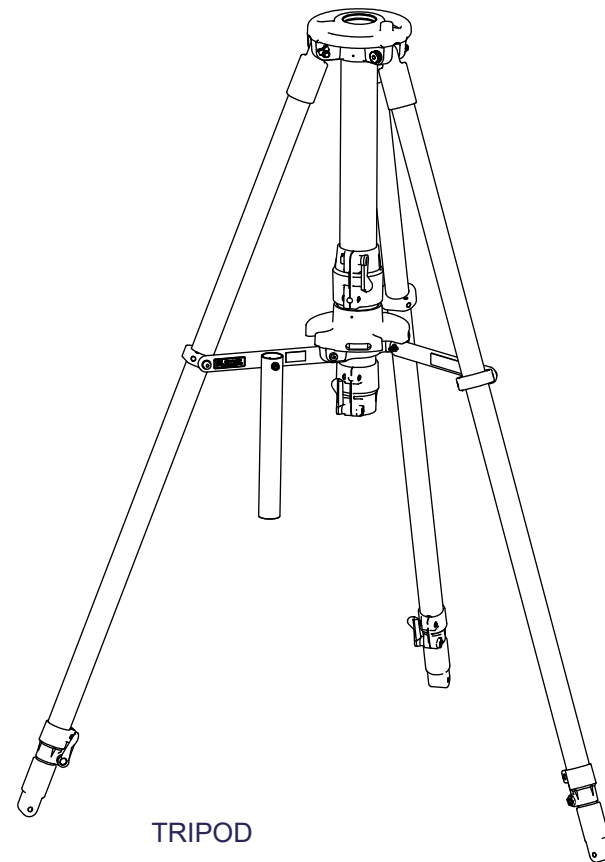
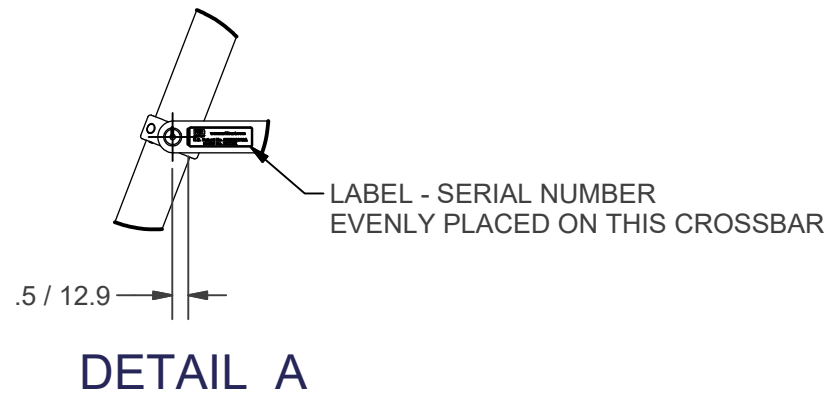
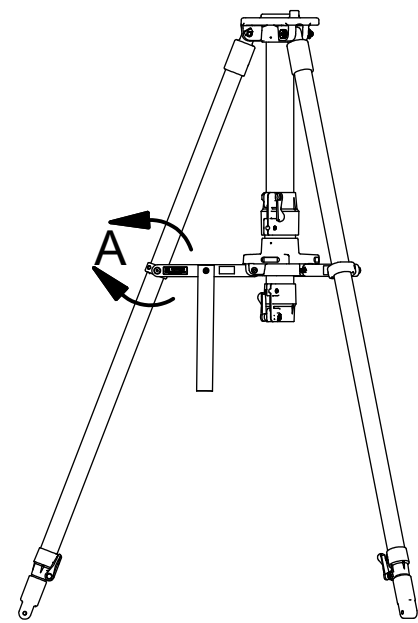
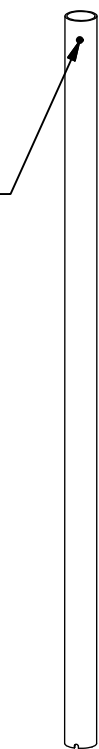


REVISION HISTORY				
ECN	REV	DESCRIPTION	DATE	BY/APPR
13584	H	ADD: 4458901	4-4-2017	KV/
14146	J	INCLUDED SKID 4634201 TO 71407-SERIES BOM'S	10-1-18	KV/
14400	K	ADD: 714071205 WITH 5602501	6-19-2019	KV/



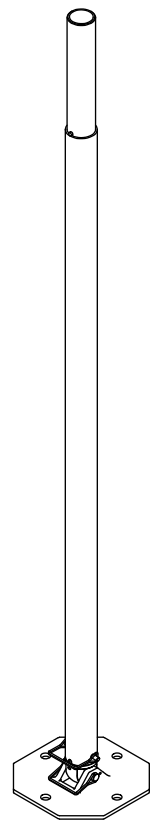
MANUAL NOT SHOWN
 LIFT PUCK NOT SHOWN
 BAG NOT SHOWN
 (SHEET 2 OF 3)



TOP TUBE SECTION



TUBE SECTION



BASE TUBE SUB-ASSEMBLY

COMPONENT VIEWS



BASE PLATE SUB-ASSEMBLY
 QT'Y. (3) - (TRIPOD)

MATERIAL	-	UNLESS OTHERWISE SPECIFIED DIMENSIONS ARE IN INCHES.
FINISH	-	TOLERANCES ON DECIMALS ANGLES 0 = ± 0.030 ± 1/2° 00 = ± 0.015 000 = ± 0.005 FRACTIONAL ± 1/64"
APPROX. WT:	- LB	1. ALL INSIDE EDGES TO HAVE .005" TO .035" FILLETS. 2. ALL OUTSIDE EDGES TO HAVE .005" TO .015" CHAMFER OR RADIUS.
THIRD ANGLE PROJECTION		
125 ON ALL MACHINED SURFACES		

PROPRIETARY AND CONFIDENTIAL
 THE INFORMATION CONTAINED IN THIS DRAWING IS THE SOLE PROPERTY OF THE WILL-BURT COMPANY ANY REPRODUCTION IN PART OR WHOLE WITHOUT THE WRITTEN PERMISSION OF THE WILL-BURT COMPANY IS PROHIBITED.

WB AN EMPLOYEE OWNED COMPANY
 WILL-BURT ORRVILLE, OH

TITLE
**RANGER MAST ASM
 CF W/ COMPOSITE TRIPOD**

APPROVALS	DATE
DRAWN kvandegrift	1/20/2010
CHECKED	

SIZE	DWG NO	REV
B	714070000	K
PN: SEE CHART		SHEET 1 OF 3



PACKING DETAIL
(NO SCALE)

MATERIAL	UNLESS OTHERWISE SPECIFIED DIMENSIONS ARE IN INCHES.	
FINISH	TOLERANCES ON DECIMALS	ANGLES
	0 = ± 0.030	± 1/2°
	00 = ± 0.015	
	000 = ± 0.005	
APPROX. WT: LB	FRACTIONAL ± 1/64"	
THIRD ANGLE PROJECTION	1. ALL INSIDE EDGES TO HAVE .005" TO .035" FILLETS.	
	2. ALL OUTSIDE EDGES TO HAVE .005" TO .015" CHAMFER OR RADIUS.	
	125° ON ALL MACHINED SURFACES	

PROPRIETARY AND CONFIDENTIAL	
THE INFORMATION CONTAINED IN THIS DRAWING IS THE SOLE PROPERTY OF THE WILL-BURT COMPANY ANY REPRODUCTION IN PART OR WHOLE WITHOUT THE WRITTEN PERMISSION OF THE WILL-BURT COMPANY IS PROHIBITED.	
APPROVALS	DATE
DRAWN kvandegrift	1/20/2010
CHECKED	

W3 WILL-BURT		AN EMPLOYEE OWNED COMPANY ORRVILLE, OH	
TITLE RANGER MAST ASM CF W/ COMPOSITE TRIPOD			
SIZE B	DWG NO 714070000	REV K	
PN: SEE CHART		SHEET 2 OF 3	

4

3

2

1

RANGER MAST "TOP LEVEL PART NUMBERS" - BOM

Table with 14 columns: HT. (FT), PART NUMBER, BAG, ROPE STAYS, TOP TUBE, TUBE SECTIONS, BASE TUBE S/A, TRIPOD, GUY STAKES, STUB/GUY PLATE, HAMMER, MANUAL, BASE PLATE S/A, STEP, SN: LABEL. Rows include heights from 8 to 60 feet and various part numbers.

RANGER MAST "TOP LEVEL PART NUMBERS" W/O BAG -BOM

Table with 14 columns: HT. (FT), PART NUMBER, BAG, ROPE STAYS, TOP TUBE, TUBE SECTION, BASE TUBE S/A, TRIPOD, GUY STAKES, STUB/GUY PLATE, HAMMER, MANUAL, BASE PLATE S/A, STEP, S/N: LABEL. Rows include heights from 8 to 60 feet and various part numbers.

RANGER MAST TOP LEVEL P/N'S CONTINUE

Table with 4 columns: PART NUMBER, CARTON P/N:, LIFT PUCK, STUB. Rows include 'ALL (UNLESS NOTED BELOW)' and part number 714071205.



NOTE:

1 SHRINK WRAP OR CLEAR ZIP BAG COMPONENTS TOGETHER TO ENSURE NO SHIPPING DAMAGE

MATERIAL

UNLESS OTHERWISE SPECIFIED DIMENSIONS ARE IN INCHES. TOLERANCES ON DECIMALS ANGLES 0 = ± 0.030 ± 1/2' 00 = ± 0.015 000 = ± 0.005 FRACTIONAL ± 1/64" 1. ALL INSIDE EDGES TO HAVE .005" TO .035" FILLETS. 2. ALL OUTSIDE EDGES TO HAVE .005" TO .015" CHAMFER OR RADIUS. 125 ON ALL MACHINED SURFACES

FINISH

APPROX. WT: LB

THIRD ANGLE PROJECTION



PROPRIETARY AND CONFIDENTIAL THE INFORMATION CONTAINED IN THIS DRAWING IS THE SOLE PROPERTY OF THE WILL-BURT COMPANY ANY REPRODUCTION IN PART OR WHOLE WITHOUT THE WRITTEN PERMISSION OF THE WILL-BURT COMPANY IS PROHIBITED.

W3 AN EMPLOYEE OWNED COMPANY WILL-BURT ORRVILLE, OH

TITLE RANGER MAST ASM CF W/ COMPOSITE TRIPOD

APPROVALS DATE DRAWN kvandegrift 1/20/2010 CHECKED

SIZE DWG NO 714070000 REV K

PN: SEE CHART SHEET 3 OF 3

4

3

2

1