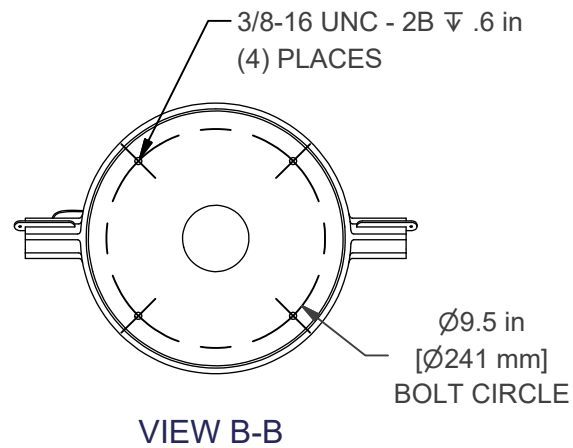
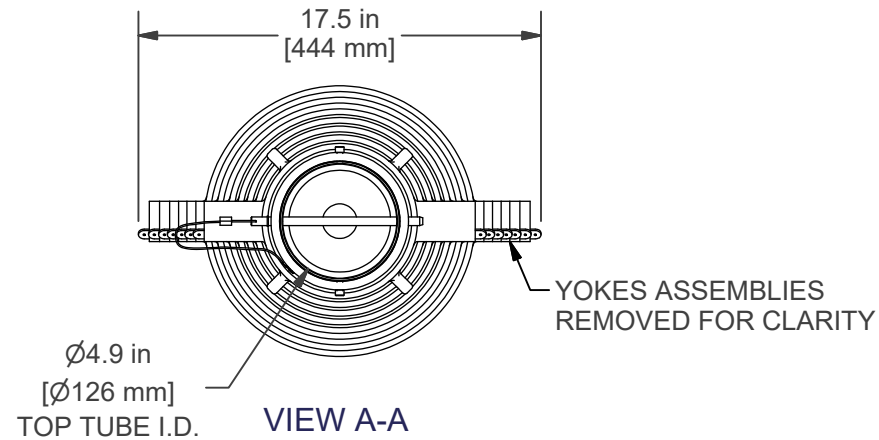
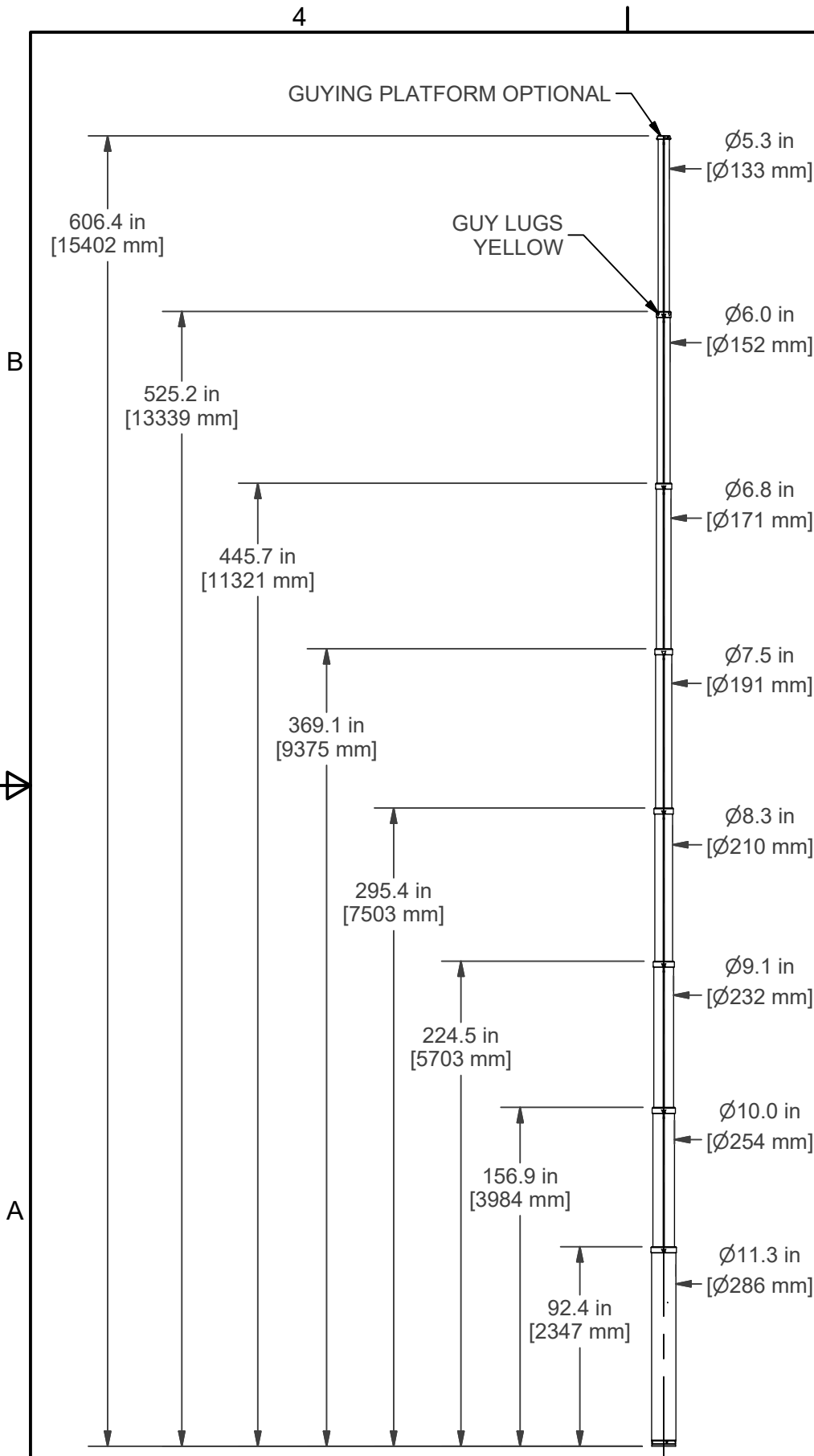


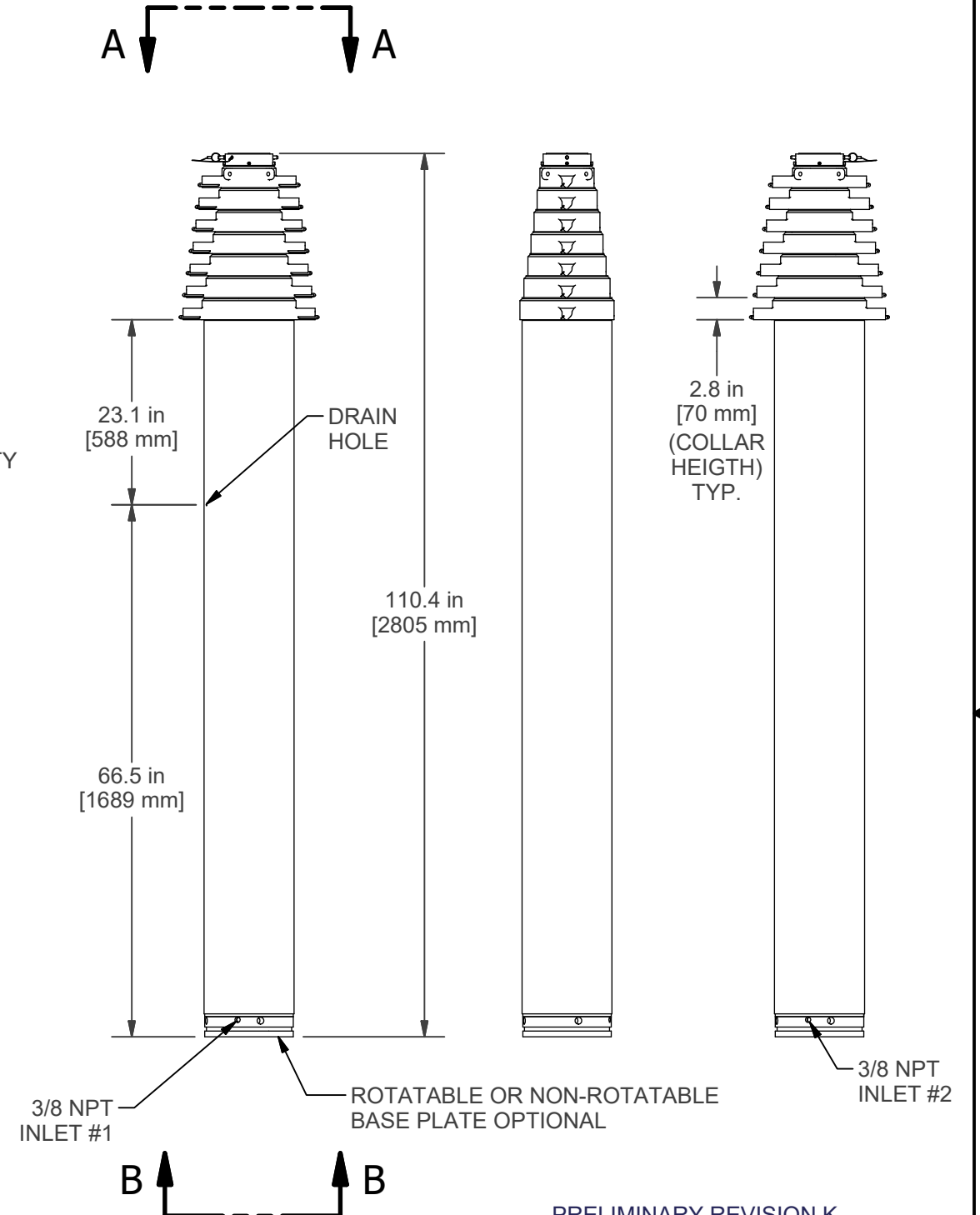
9-50FT SUPER HEAVY DUTY LOCKING MAST INSTALLATION

PRELIMINARY REVISION K



1 ALL MOUNTING DIMENSIONS APPLY WITHOUT MOUNTING ACCESSORIES.

| FINISH REFERENCE TABLE | |
|------------------------|---|
| P/N: | FINISH |
| 909959 | CLEAR ANODIZE |
| 915440 | HARD WITH PTFE (TEFLON) |
| 710605093 | WHITE POLANE COLOR #17925 PER FED-STD-595 |



PRELIMINARY REVISION K

PROPRIETARY AND CONFIDENTIAL
 THE INFORMATION CONTAINED IN THIS DRAWING IS THE SOLE PROPERTY OF THE WILL-BURT COMPANY ANY REPRODUCTION IN PART OR WHOLE WITHOUT THE WRITTEN PERMISSION OF THE WILL-BURT COMPANY IS PROHIBITED.

W3 AN EMPLOYEE OWNED COMPANY
 WILL-BURT ORRVILLE, OH

FINISH: SEE FINISH REFERENCE TABLE
 DRAWING NOT TO SCALE
 ALL DIMENSIONS AND PERFORMANCE PARAMETERS ARE PROVIDED FOR REFERENCE ONLY AND ARE SUBJECT TO CHANGE WITHOUT NOTICE.

UNLESS OTHERWISE SPECIFIED DIMENSIONS ARE IN INCHES
 THIRD ANGLE PROJECTION

TITLE: PNEU MAST 9-50 SHDL CE CUSTOMER DRAWING
 P/N: 909959 DATE: 7/26/2017 DRAWN BY: msmith
 APPROXIMATE WEIGHT: 500 lb [227 kg] TUBE SET: Ø5.25 - Ø11.25 REV P-K